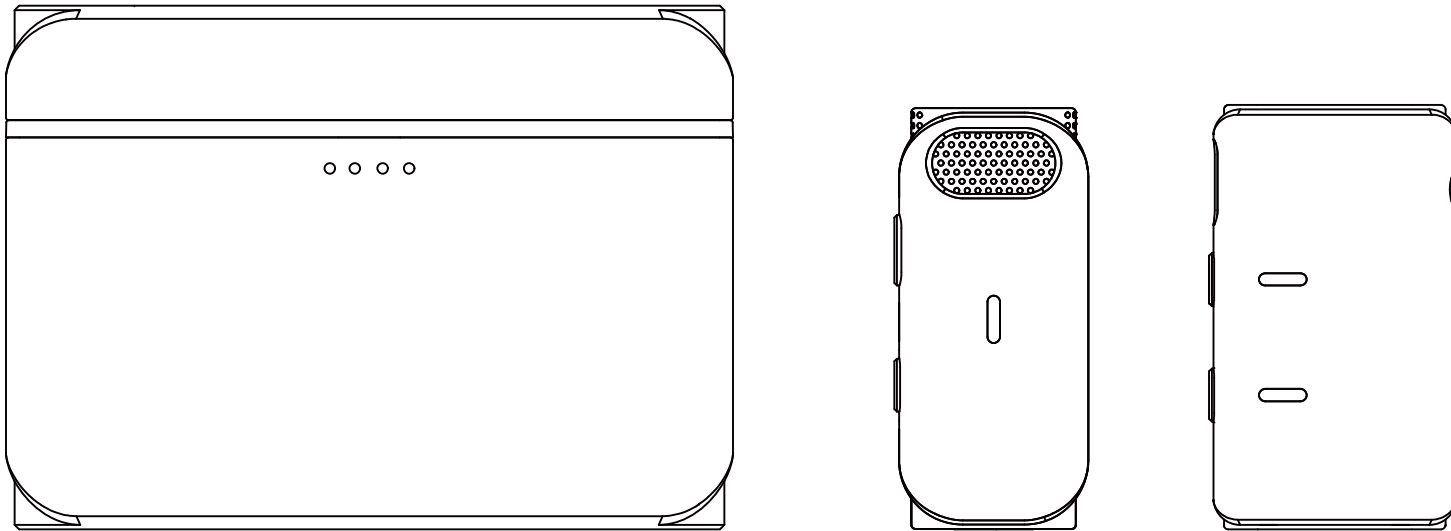




LARK M1_{Pro}

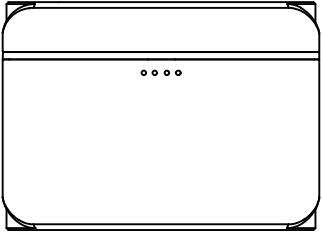
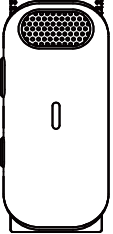
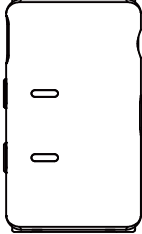
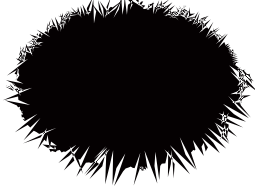
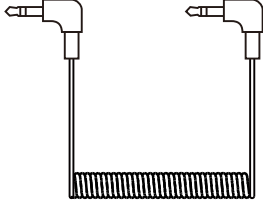
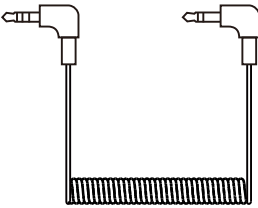
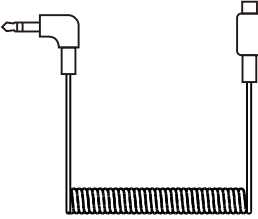
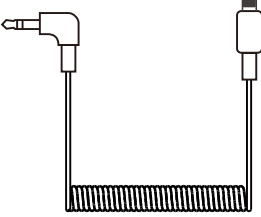
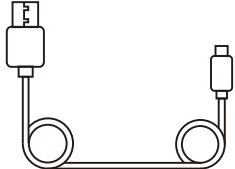
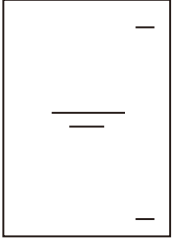
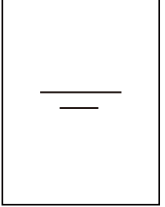
User Manual



LARK M1_{Pro}

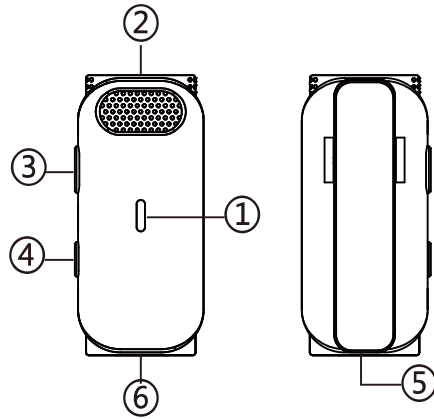
PACKING LIST

2-person Wireless Microphone System

			
① Charging Case x1	② Transmitter x2	③ Receiver x1	④ Furry Windshield x2
			
⑤ 3.5mm TRS Patch Cable (for cameras) x1	⑥ 3.5mm TRS to TRRS Patch Cable (TRRS compatible) x1	⑦ 3.5mm TRS to Type-C Cable	
			
⑦ 3.5mm TRS to Lightning Cable	⑧ (USB A to Type-C Cable) x1	⑨ User Manual x1	⑩ Warranty Card x1

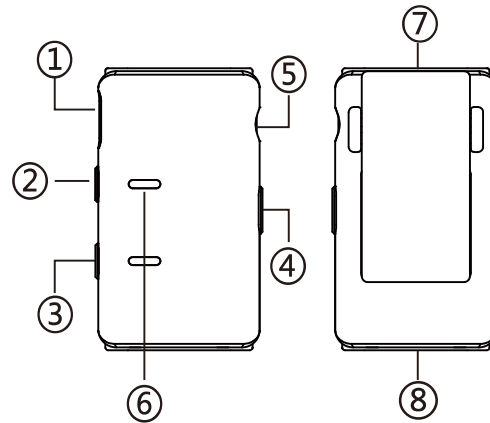
Note: The amount of the items listed above are subject to the package edition.

PRODUCT INTRODUCTION



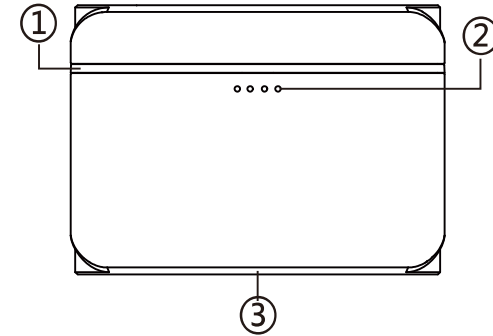
TX: Transmitter

- ① Status Indicator
- ② Built-in Microphone
- ③ Power Button
- ④ Pair/HearClear Noise-Cancelling Button
- ⑤ Mounting Clip
- ⑥ Charging Contact & Type-C Port



RX: Receiver

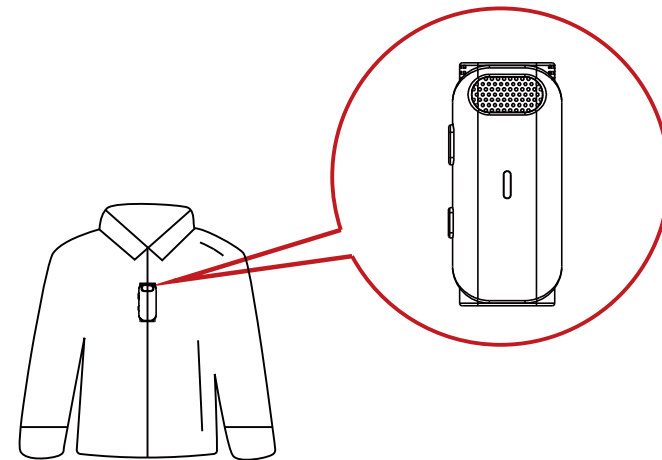
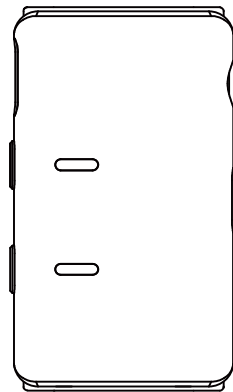
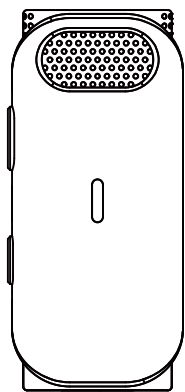
- ① Type-C Port
- ② Pair/Volume Up Button
- ③ Mode Switch/Volume Down Button
- ④ Power Button
- ⑤ 3.5mm Phone/Camera Interface Port
- ⑥ Power Indicator
- ⑦ Mounting Clip
- ⑧ Charging Contact



Charging Case for 2-person Wireless Microphone System

- ① Indicator Inside the Case
- ② Indicator Outside the Case
- ③ USB Type-C Port

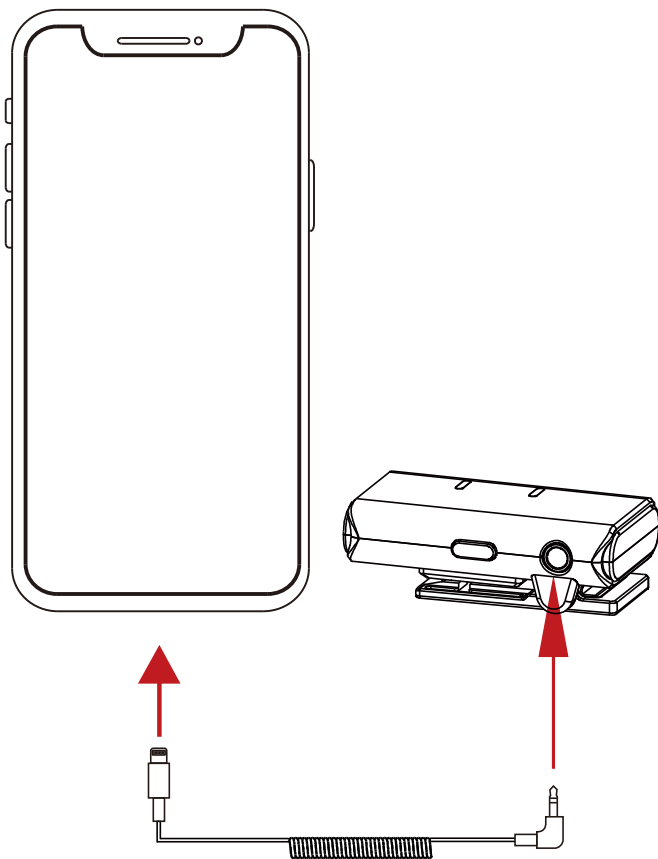
PRODUCT INSTALLATION



The TX and RX automatically turn on and pair with each other out of the box.

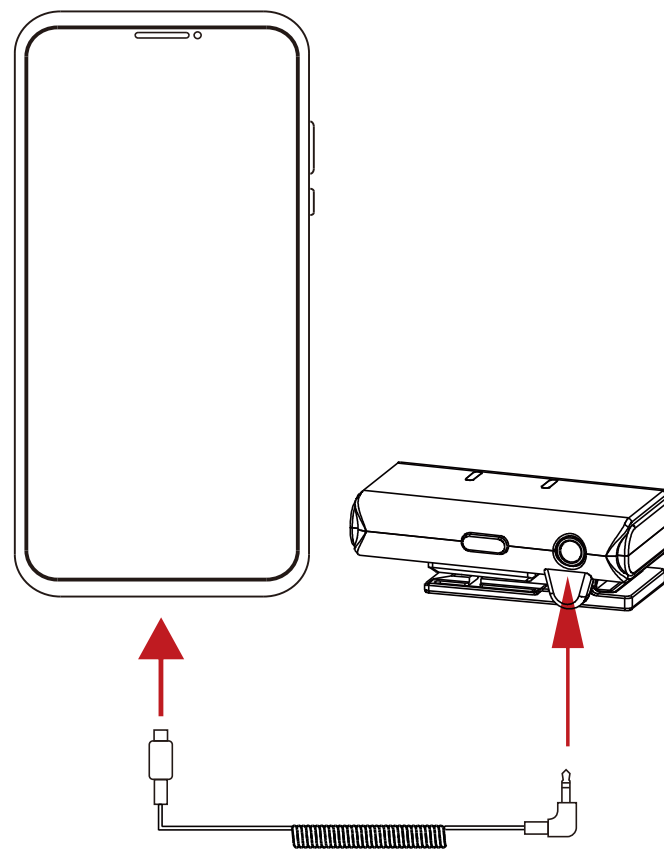
Clip the TX to a shirt collar.

iPhone connection



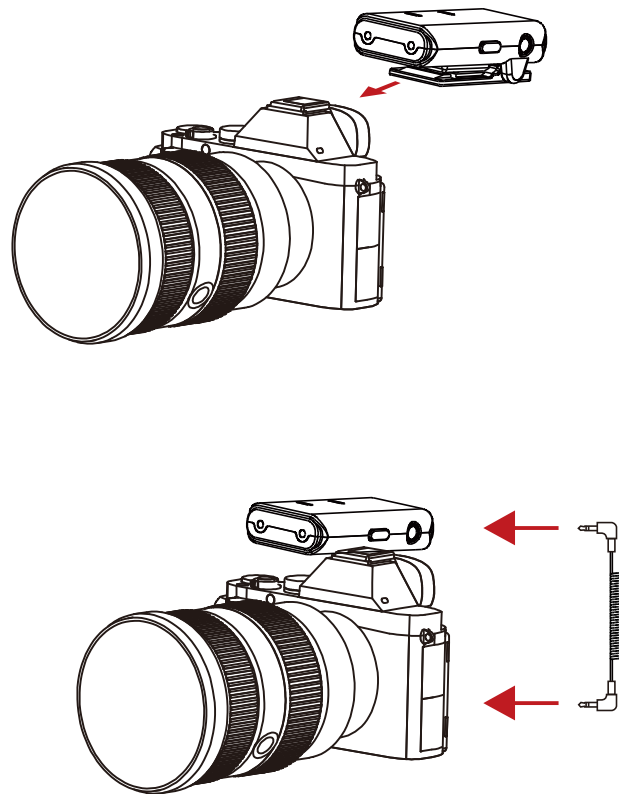
Connect the RX to iPhone with the 3.5mm TRS to Lightning Cable.

Android phone connection



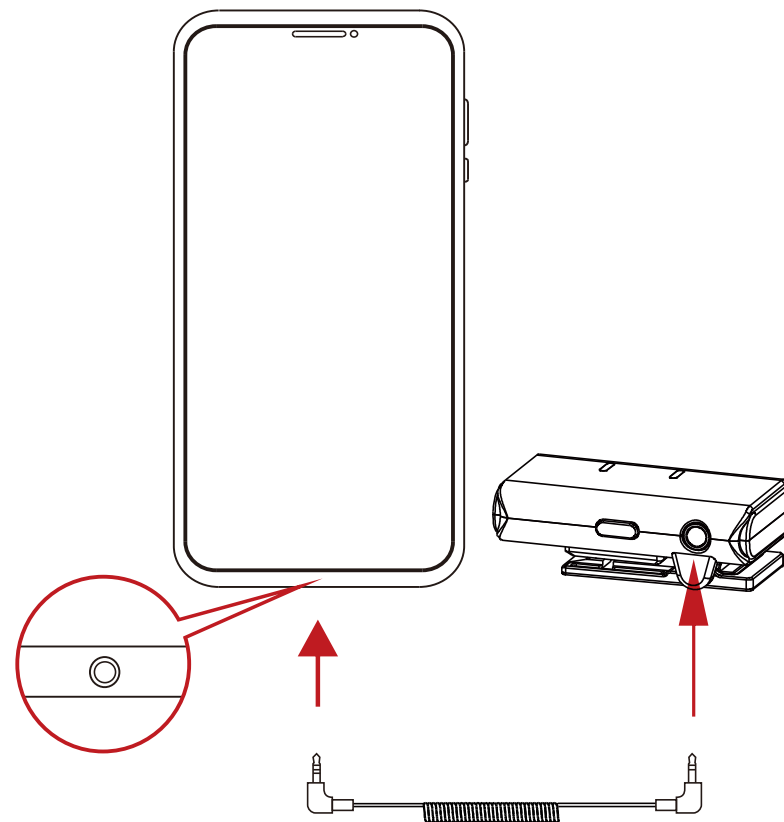
Connect the RX to the phone with the 3.5mm TRS to USB Type-C Cable.

Camera Connection



Install the RX on the camera.
Connect the RX and the camera with the
3.5mm TRS Patch Cable.

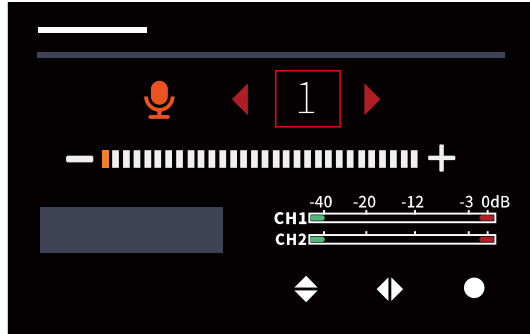
Connection with TRRS Compatible Devices



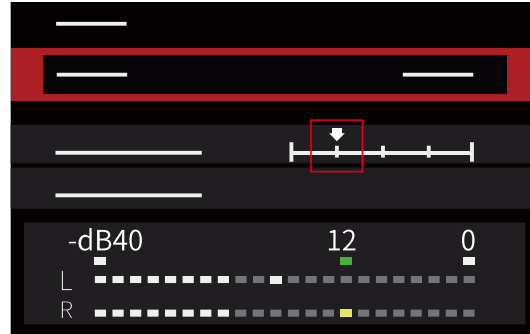
Connect the RX to a TRRS compatible device
with the 3.5mm TRS to TRRS Patch Cable.

CAMERA SETTINGS

To ensure optimal use with the camera, please follow the settings as recommended below.



SONY camera
Camera recording volume set to 1



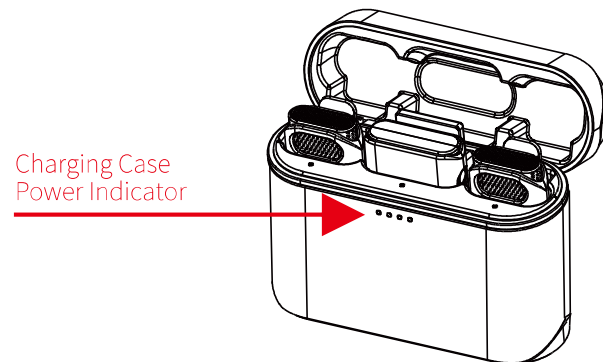
Canon camera
Recording level set to 1 block



Fujifilm camera
External microphone
volume set to -26dB

Indicator Lights Guide - RX & TX

Indicator Light Status	Device Status
Blue indicator light stays on	Device connected
Blue indicator light flashing	Device disconnected
Red indicator lights on TX & RX stay on	Low-battery TX
2 red indicator lights flashing on RX	Low-battery RX
Orange indicator light flashing	Device in charging (charging when powered off)
Orange indicator light stays on	Device fully charged (charging when powered off)
Green static light on TX	Noise-cancelling function ON
Green static light on RX	Camera mono mode
Blue static light on RX	Phone mode/Camera stereo mode



Indicator Lights Guide - Charging Case

Indicator Light Status	Device Status
One indicator light outside the case flashing when connected via USB	Charging case in charging (refer to the number of shining indicator lights for charging progress)
Four indicator lights outside the case stay on	Charging case fully charged
Indicator lights inside the case breathing	TX/RX in charging
Indicator lights inside the case stay on	TX/RX fully charged

Indicator Lights Outside the Case Guide

Number of Shining Indicator Lights	Charging Case Battery Level
One flashing indicator light	Low battery, output charging discontinued
One shining indicator light	25%
Two shining indicator lights	50%
Three shining indicator lights	75%
Four shining indicator lights	100%

Auto Power On/Off

Remove TX/RX from the charging case, it will automatically turn on.
Put TX/RX back in the charging case, it will automatically turn off.

Manually Power On/Off

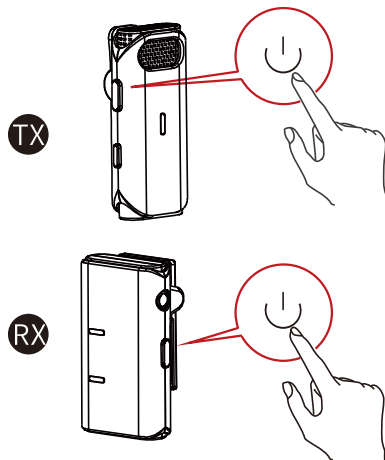
Hold Power Button of TX/RX for 3s seconds to power on/off the device manually. (Figure 1)

Auto Pairing

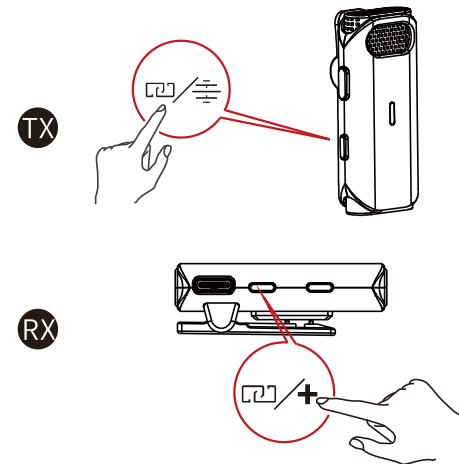
Remove TX/RX from the charging case, they will automatically pair with each other.
Put TX/RX back in the charging case, they will automatically disconnect with each other.

Manually Pairing

Hold Pair/HearClear Noise-Cancelling Button of TX for 3s seconds and then hold Pair Button of RX for 3s seconds to pair. (Figure 2)



(Figure 1)



(Figure 2)

Auto Charging

Put the devices back to the charging case, the auto-charging starts.

Manually Charging

Charge the TX, RX, and Charging Case separately via the Type-C port of each unit.

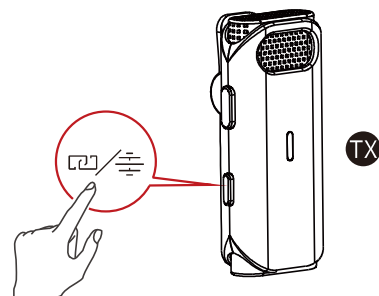
Turn On/Off HearClear Noise-Cancelling Function on TX

Press the Pair/HearClear Noise-Cancelling Button on TX to turn on/off the noise-cancelling function. (Figure 3)

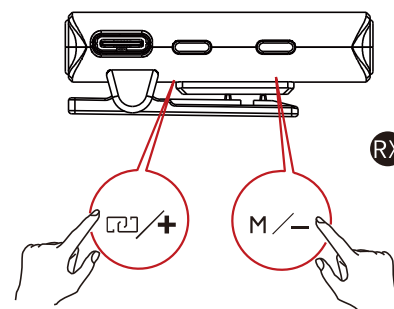
Volume Gain Adjustment

There are three volume level settings on the RX: Low, Middle, and High. The volume level of the device is set to Middle by default.

Press the Pair/Volume Up Button on the RX to increase volume and Mode Switch/Volume Down Button to decrease volume. (Figure 4)



(Figure 3)



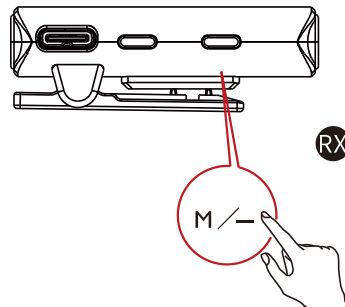
(Figure 4)

Mode Switch

Long press the Mode Switch/Volume Down Button for 5 seconds to switch modes:

Green static light indicates Camera Mono Mode

Blue static light indicates Phone Mode or Camera Stereo Mode (depending on the device connected) (Figure5)



(Figure5)

PARAMETERS

Wireless Transmission	2.4GHz Adaptive Frequency Hopping (AFH)
Transmission Range	40M (free movement), 200M (LOS)
In-Built Microphone	Polar Pattern: Omnidirectional Frequency Range: 20Hz~20KHz
Maximum SPL	110dB SPL
Input Dynamic Range	86 dB
Battery Type	TX: 140mAh (0.518Wh) RX: 200mAh (0.76Wh) Charging Case: 1400mAh (5.18Wh)
Runtime	TX: 8H RX: 8H Charging Case: Maximum 2 times charging for 2 TX and 1 RX.
Charging Time	TX: 1.5H RX: 1.5H Charging Case: 1.5H
Dimensions	TX: 48x21.5x10 mm RX: 48.3X27.6X11mm Charging Case: 83x60x30 mm
Weight	TX: 11.8g RX: 17.5g Charging Case: 80g
Charging power	5V==2.4A

Note: The frequency range and wireless transmit power of the device vary based on the regulations of different countries and regions.

Safety Precautions

Do not place the product near or inside heating devices (including but not limited to microwave ovens, induction cookers, electric ovens, electric heaters, pressure cookers, water heaters, gas stoves) to prevent the battery from overheating and exploding.

Never use non-original charging cases, cables, and batteries with the product.

The use of non-original spare parts may cause electric shock, fire, explosion, or other dangers.

FCC Requirement

Any changes or modifications not expressly approved by the party responsible for compliance could void the user's authority to operate the equipment.

This device complies with Part 15 of the FCC Rules. Operation is subject to the following two conditions:

- (1) this device may not cause harmful interference.
- (2) this device must accept any interference received, including interference that may cause undesired operation.

Note:

This equipment has been tested and found to comply with the limits for a Class B digital device, pursuant to Part 15 of the FCC Rules. These limits are designed to provide reasonable protection against harmful interference in a residential installation. This equipment generates, uses, and can radiate radio frequency energy, and if not installed and used in accordance with the instructions, may cause harmful interference to radio communications. However, there is no guarantee that interference will not occur in a particular installation. If this equipment does cause harmful interference to radio or television reception, which can be determined by turning the equipment off and on, the user is encouraged to try to correct the interference by one or more of the following measures:

- Reorient or relocate the receiving antenna.
- Increase the separation between the equipment and receiver.
- Connect the equipment into an outlet on a circuit different from that to which the receiver is connected.
- Consult the dealer or an experienced radio/TV technician for help.