



# TEST REPORT

FCC ID: 2ADYY-K16SDA

Product: Laptop Computer

Model No.: K16SDA

Trade Mark: TECNO

Report No.: WSCT-A2LA-R&E240300014A-15B

Issued Date: 06 June 2024

Issued for:

**TECNO MOBILE LIMITED**  
**FLAT N 16/F BLOCK B UNIVERSAL INDUSTRIAL CENTRE 19-25 SHAN MEI**  
**STREET FOTAN NT HONGKONG**

Issued By:

**World Standardization Certification & Testing Group(Shenzhen) Co.,Ltd.**  
**Building A-B, Baoshi Science & Technology Park, Baoshi Road,**  
**Bao'an District, Shenzhen, Guangdong, China**  
**TEL: +86-755-26996192**  
**FAX: +86-755-86376605**



*Note: The results contained in this report pertain only to the tested sample. This report shall not be reproduced, except in full, without written approval of World Standardization Certification & Testing Group(Shenzhen) Co., Ltd. This report must not be used by the client to claim product certification, approval, or any agency of the U.S. Government.*





# TABLE OF CONTENTS

- 1. Test Certification ..... 3
- 2. GENERAL DESCRIPTION OF EUT..... 4
- 3. Test Result Summary..... 5
- 4. TEST METHODOLOGY ..... 6
  - 4.1. CONFIGURATION OF SYSTEM UNDER TEST.....7
  - 4.2. DESCRIPTION OF SUPPORT UNITS (CONDUCTED MODE)..... 8
- 5. MEASUREMENT INSTRUMENTS..... 9
- 6. Facilities and Accreditations ..... 10
  - 6.1. FACILITIES ..... 10
  - 6.2. ACCREDITATIONS ..... 10
  - 6.3. MEASUREMENT UNCERTAINTY ..... 11
- 7. EMC EMISSION TEST..... 12
  - 7.1. CONDUCTED EMISSION MEASUREMENT..... 12
  - 7.2. RADIATED EMISSION MEASUREMENT ..... 16





Report No.: WSCT-A2LA-R&E240300014A-15B

# 1. Test Certification

**Product:** Laptop Computer

**Model No.:** K16SDA

**Trade Mark:** TECNO

**Applicant:** TECNO MOBILE LIMITED

**Address:** FLAT N 16/F BLOCK B UNIVERSAL INDUSTRIAL CENTRE 19-25  
SHAN MEI STREET FOTAN NT HONGKONG

**Manufacturer:** TECNO MOBILE LIMITED

**Address:** FLAT N 16/F BLOCK B UNIVERSAL INDUSTRIAL CENTRE 19-25  
SHAN MEI STREET FOTAN NT HONGKONG

**Date of Test:** 09 April 2024 to 05 June 2024

**Applicable Standards:** FCC CFR Title 47 Part 15 Subpart B

The above equipment has been tested by World Standardization Certification & Testing Group(Shenzhen) Co., Ltd. and found compliance with the requirements set forth in the technical standards mentioned above. The results of testing in this report apply only to the product/system, which was tested. Other similar equipment will not necessarily produce the same results due to production tolerance and measurement uncertainties.

**Tested By:** Wang Xiang  
(Wang Xiang)

**Checked By:** Mo Peiyun  
( Mo Peiyun)

**Approved By:** Liu Fuxin  
( Liu Fuxin)

**Date:** 06 June 2024





Report No.: WSCT-A2LA-R&E240300014A-15B

Certificate #5768.01

For Question,  
Please Contact with WSCT  
[www.wsct-cert.com](http://www.wsct-cert.com)

## 2. GENERAL DESCRIPTION OF EUT

<b>Equipment Type:</b>	Laptop Computer
<b>Test Model:</b>	K16SDA
<b>Trade Mark</b>	TECNO
<b>Rechargeable Li-Polymer Battery:</b>	Model: K16S Nominal Voltage: 11.55V Rated Capacity: 6060mAh Rated nergy: 70.00Wh Limited Charge Voltage: 13.2V
<b>Adapter:</b>	Adapter: E065-1R200325VU Input: 100-240V~,50/60Hz,1.5A Output: 20.0V~3.25A
<b>Remark:</b>	N/A.





### 3. Test Result Summary

Requirement	CFR 47 Section	Result
CONDUCTED EMISSION	§15.107	PASS
RADIATED EMISSION	§15.109	PASS

**Note:**

1. PASS: Test item meets the requirement.
2. Fail: Test item does not meet the requirement.
3. N/A: Test case does not apply to the test object.
4. The test result judgment is decided by the limit of test standard.





## 4. TEST METHODOLOGY

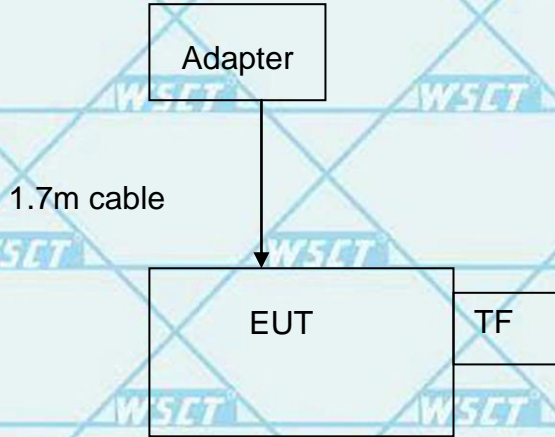
To investigate the maximum EMI emission characteristics generates from EUT, the test system was pre-scanning tested base on the consideration of following EUT operation mode or test configuration mode which possible have effect on EMI emission level. Each of these EUT operation mode(s) or test configuration mode(s) mentioned above was evaluated respectively.

Pretest Mode	Description
Mode 1	Video Recording
Model 2	Video Playing
Mode 3	TF Card Playing



### 4.1. CONFIGURATION OF SYSTEM UNDER TEST

Mode 1&2&3



(EUT: Laptop Computer)

I/O Port of EUT			
I/O Port Type	Q'TY	Cable	Tested with
Power	1	1.7m cable, unshielded	1





## 4.2. DESCRIPTION OF SUPPORT UNITS (CONDUCTED MODE)

The EUT has been tested as an independent unit together with other necessary accessories or support units. The following support units or accessories were used to form a representative test configuration during the tests.

Item	Equipment	Mfr/Brand	Model/Type No.	Series No.	Note
1	SSD	QunLian	1TB	/	/

**Note:**

- (1) The support equipment was authorized by Declaration of Confirmation.
- (2) For detachable type I/O cable should be specified the length in cm in 「Length」 column.







## 5. MEASUREMENT INSTRUMENTS

Kind of Equipment	Manufacturer	Type No.	Serial No.	Last Calibrated	Calibrated until
Test software	--	EZ-EMC	CON-03A	--	--
ESCI Test Receiver	R&S	ESCI	100005	11/05/2023	11/04/2024
LISN	AFJ	LS16	16010222119	11/05/2023	11/04/2024
LISN(EUT)	Mastic	AN3016	04/10040	11/05/2023	11/04/2024
pre-amplifier	CDSI	PAP-1G18-38	--	11/05/2023	11/04/2024
System Controller	CT	SC100	-	11/05/2023	11/04/2024
Bi-log Antenna	Chase	CBL6111C	2576	11/05/2023	11/04/2024
Spectrum analyzer	R&S	FSU26	200409	11/05/2023	11/04/2024
Horn Antenna	SCHWARZBECK	9120D	1141	11/05/2023	11/04/2024
Bi-log Antenna	SCHWARZBECK	VULB9163	9163/340	11/05/2023	11/04/2024
Pre Amplifier	H.P.	HP8447E	2945A02715	11/05/2023	11/04/2024
9*6*6 Anechoic	--	--	--	11/05/2023	11/04/2024



## 6. Facilities and Accreditations

### 6.1. Facilities

All measurement facilities used to collect the measurement data are located at **Building A-B, Baoshi Science & Technology Park, Baoshi Road, Bao'an District, Shenzhen, Guangdong, China of the World Standardization Certification & Testing Group(Shenzhen) CO., LTD**

The sites are constructed in conformance with the requirements of ANSI C63.4 and CISPR Publication 32. All receiving equipment conforms to CISPR Publication 16-1, "Radio Interference Measuring Apparatus and Measurement Methods."

### 6.2. ACCREDITATIONS

#### CNAS - Registration Number: L3732

China National Accreditation Service for Conformity Assessment, The test firm Registration Number: L3732

#### FCC - Designation Number: CN1303

World Standardization Certification & Testing Group(Shenzhen) CO., LTD. has been accredited as a testing laboratory by FCC(Federal Communications Commission). The test firm Designation Number: CN1303.

#### A2LA - Certificate Number: 5768.01

The EMC Laboratory has been accredited by the American Association for Laboratory Accreditation (A2LA).Certification Number: 5768.01



### 6.3. Measurement Uncertainty

The reported uncertainty of measurement  $y \pm U$ , where expanded uncertainty  $U$  is based on a standard uncertainty multiplied by a coverage factor of  $k=2$ , providing a level of confidence of approximately 95 %.

No.	Item	MU
1	Conducted Emission Test	$\pm 3.2\text{dB}$
2	RF power, conducted	$\pm 0.16\text{dB}$
3	Spurious emissions, conducted	$\pm 0.21\text{dB}$
4	All emissions, radiated(<1GHz)	$\pm 4.7\text{dB}$
5	All emissions, radiated(>1GHz)	$\pm 4.7\text{dB}$
6	Temperature	$\pm 0.5^\circ\text{C}$
7	Humidity	$\pm 2.0\%$



## 7. EMC EMISSION TEST

### 7.1. CONDUCTED EMISSION MEASUREMENT

#### 7.1.1. POWER LINE CONDUCTED EMISSION LIMITS

FREQUENCY (MHz)	Class A (dBuV)		Class B (dBuV)		Standard
	Quasi-peak	Average	Quasi-peak	Average	
0.15 -0.5	79.00	66.00	66 - 56 *	56 - 46 *	FCC
0.50 -5.0	73.00	60.00	56.00	46.00	FCC
5.0 -30.0	73.00	60.00	60.00	50.00	FCC

Note:

- (1) The tighter limit applies at the band edges.
- (2) The limit of " \* " marked band means the limitation decreases linearly with the logarithm of the frequency in the range.

The following table is the setting of the receiver

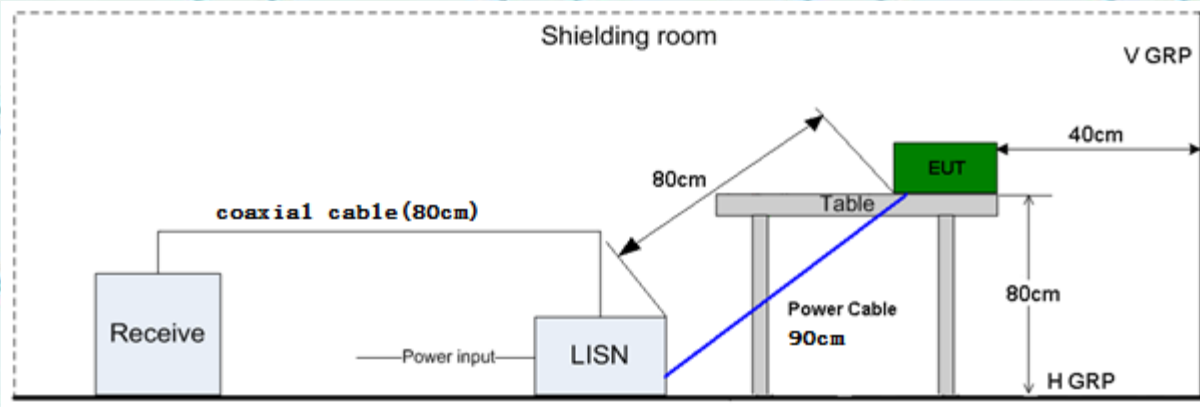
Receiver Parameters	Setting
Attenuation	10 dB
Start Frequency	0.15 MHz
Stop Frequency	30 MHz
IF Bandwidth	9 kHz



**TEST PROCEDURE**

- a. The EUT was placed 0.4 meters from the horizontal ground plane with EUT being connected to the power mains through a line impedance stabilization network (LISN). All other support equipments powered from additional LISN(s). The LISN provide 50 Ohm/ 50uH of coupling impedance for the measuring instrument.
- b. Interconnecting cables that hang closer than 40 cm to the ground plane shall be folded back and forth in the center forming a bundle 30 to 40 cm long.
- c. I/O cables that are not connected to a peripheral shall be bundled in the center. The end of the cable may be terminated, if required, using the correct terminating impedance. The overall length shall not exceed 1 m.
- d. LISN at least 80 cm from nearest part of EUT chassis.
- e. For the actual test configuration, please refer to the related Item –EUT Test Photos.

**TEST SETUP**

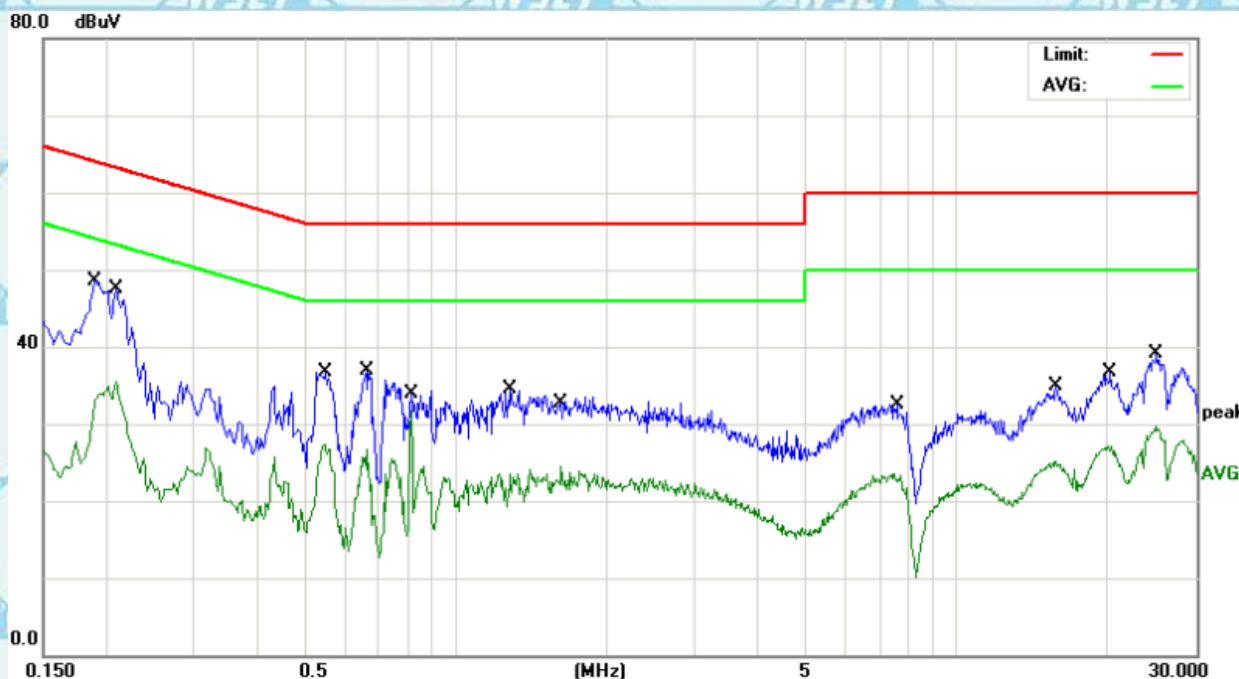




### 7.1.2. Test Results

Temperature	20 °C	Relative Humidity	48%
Pressure	1010 hPa	Test Mode	Adapter: Mode 3(the worst case)

#### Conducted Emission on Line Terminal of the power line (150 kHz to 30MHz)

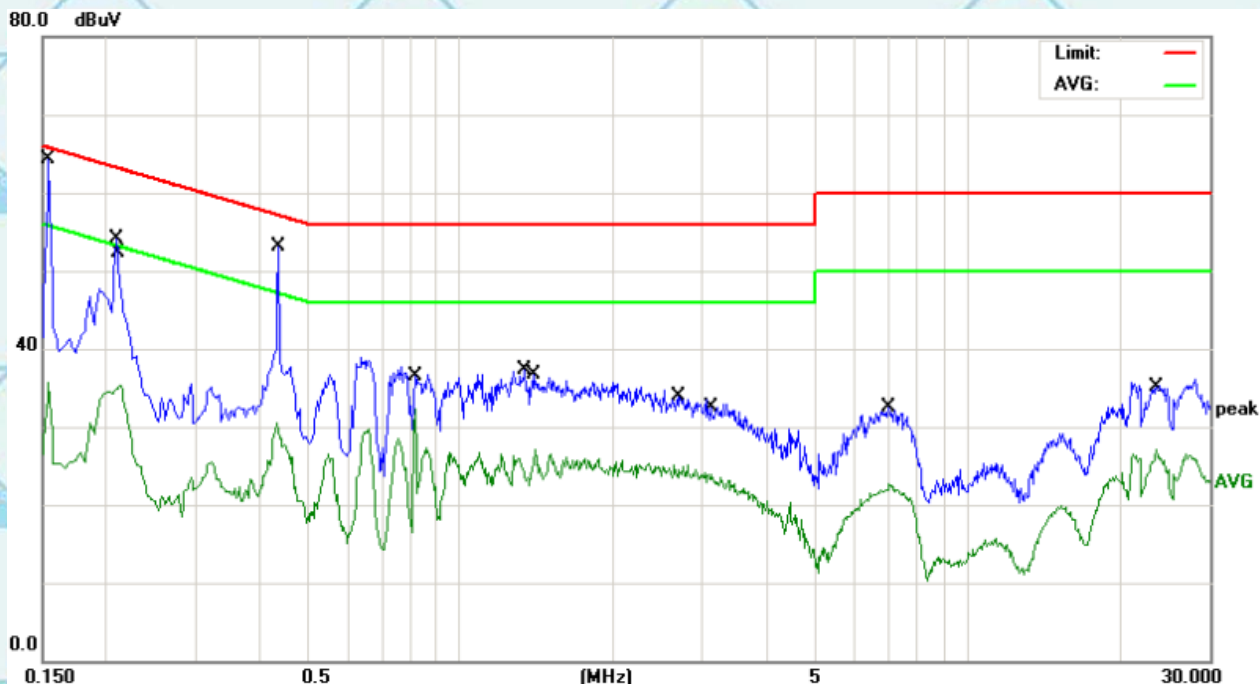


No.	Mk.	Freq. MHz	Reading Level dBuV	Correct Factor dB	Measure- ment dBuV	Limit dBuV	Over dB	Detector
1		0.1900	38.08	10.45	48.53	64.03	-15.50	QP
2		0.2100	25.14	10.45	35.59	53.20	-17.61	AVG
3		0.5460	16.77	10.52	27.29	46.00	-18.71	AVG
4		0.6620	26.41	10.53	36.94	56.00	-19.06	QP
5	*	0.8139	21.07	10.54	31.61	46.00	-14.39	AVG
6		1.2860	23.81	10.60	34.41	56.00	-21.59	QP
7		1.6260	13.84	10.65	24.49	46.00	-21.51	AVG
8		7.5900	21.71	10.79	32.50	60.00	-27.50	QP
9		15.5980	13.97	11.18	25.15	50.00	-24.85	AVG
10		20.2620	25.71	11.05	36.76	60.00	-23.24	QP
11		24.8900	18.51	11.12	29.63	50.00	-20.37	AVG
12		24.9619	27.90	11.12	39.02	60.00	-20.98	QP





### Conducted Emission on Neutral Terminal of the power line (150 kHz to 30MHz)



No.	Mk.	Freq. MHz	Reading Level dBuV	Correct Factor dB	Measure- ment dBuV	Limit dBuV	Over dB	Detector
1		0.1539	25.56	10.45	36.01	65.78	-29.77	QP
2		0.1539	25.26	10.45	35.71	55.78	-20.07	AVG
3		0.2100	43.74	10.45	54.19	63.20	-9.01	QP
4		0.2140	24.93	10.45	35.38	53.04	-17.66	AVG
5	*	0.4380	42.57	10.51	53.08	57.10	-4.02	QP
6		0.8139	21.70	10.54	32.24	46.00	-13.76	AVG
7		1.3380	26.76	10.60	37.36	56.00	-18.64	QP
8		1.4100	16.58	10.62	27.20	46.00	-18.80	AVG
9		2.6940	23.28	10.72	34.00	56.00	-22.00	QP
10		3.1340	13.18	10.72	23.90	46.00	-22.10	AVG
11		6.9740	21.72	10.78	32.50	60.00	-27.50	QP
12		23.6140	16.03	11.10	27.13	50.00	-22.87	AVG

**Note1:**

- Freq. = Emission frequency in MHz
- Reading level (dBuV) = Receiver reading
- Corr. Factor (dB) = Antenna factor + Cable loss
- Measurement (dBuV) = Reading level (dBuV) + Corr. Factor (dB)
- Limit (dBuV) = Limit stated in standard
- Margin (dB) = Measurement (dBuV) – Limits (dBuV)
- Q.P. = Quasi-Peak    AVG = average
- \* is meaning the worst frequency has been tested in the frequency range 150 kHz to 30MHz.





## 7.2. RADIATED EMISSION MEASUREMENT

### 7.2.1. Radiated Emission Limits

The field strength of radiated emissions from unintentional radiators at a distance of 3 meters shall not exceed the following values:

Frequencies (MHz)	Field Strength (microvolts/meter)	Measurement Distance (meters)
0.009~0.490	2400/F(KHz)	300
0.490~1.705	24000/F(KHz)	30
1.705~30.0	30	30
30~88	100	3
88~216	150	3
216~960	200	3
Above 960	500	3

### LIMITS OF RADIATED EMISSION MEASUREMENT (Above 1000MHz)

FREQUENCY (MHz)	Limit (dBuV/m) (at 3M)	
	PEAK	AVERAGE
Above 1000	74	54

Notes:

- (1) The limit for radiated test was performed according to FCC PART 15B.
- (2) The tighter limit applies at the band edges.
- (3) Emission level (dBuV/m)=20log Emission level (uV/m).

Spectrum Parameter	Setting
Attenuation	Auto
Start Frequency	1000 MHz
Stop Frequency	10th carrier harmonic
RB / VB (emission in restricted band)	1 MHz / 1 MHz for Peak, 1 MHz / 1Hz for Average

Receiver Parameter	Setting
Attenuation	Auto
Start ~ Stop Frequency	9kHz~150kHz / RB 200Hz for QP
Start ~ Stop Frequency	150kHz~30MHz / RB 9kHz for QP
Start ~ Stop Frequency	30MHz~1000MHz / RB 120kHz for QP





Report No.: WSCT-A2LA-R&E240300014A-15B

Certificate #5768.01

For Question,

Please Contact with WSCT

www.wsct-cert.com

### TEST PROCEDURE

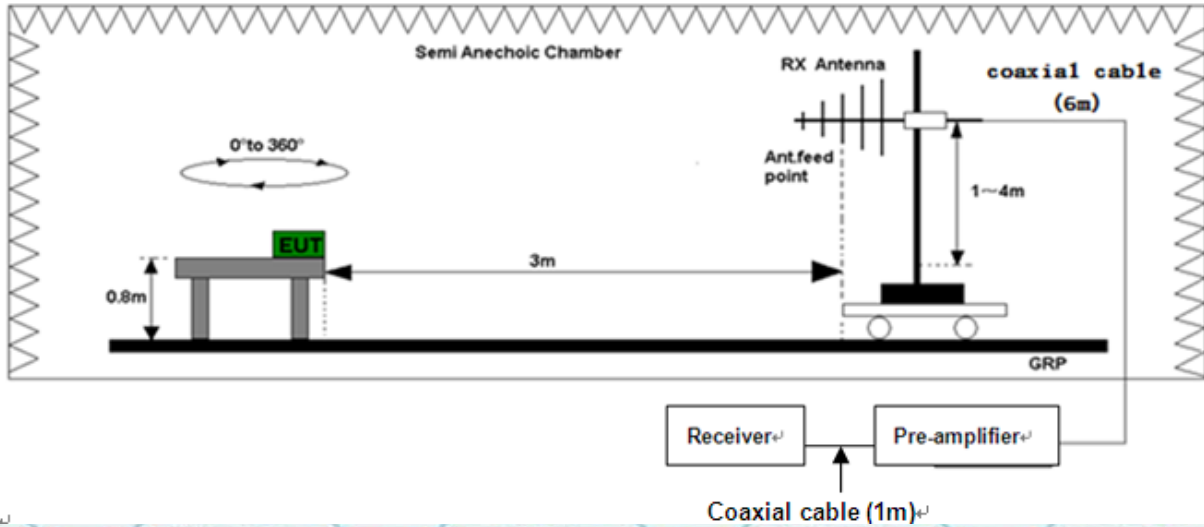
- a. The measuring distance of at 3 m shall be used for measurements at frequency up to 1GHz. For frequencies above 1GHz, any suitable measuring distance may be used.
- b. The EUT was placed on the top of a rotating table 0.8 meters above the ground at a 3 meter open area test site. The table was rotated 360 degrees to determine the position of the highest radiation.
- c. The height of the equipment or of the substitution antenna shall be 0.8 m; the height of the test antenna shall vary between 1 m to 4 m. Both horizontal and vertical polarizations of the antenna are set to make the measurement.
- d. The initial step in collecting conducted emission data is a spectrum analyzer peak detector mode pre-scanning the measurement frequency range. Significant peaks are then marked and then Quasi Peak detector mode re-measured.
- e. If the Peak Mode measured value compliance with and lower than Quasi Peak Mode Limit, the EUT shall be deemed to meet QP Limits and then no additional QP Mode measurement performed.
- f. For the actual test configuration, please refer to the related Item –EUT Test Photos.



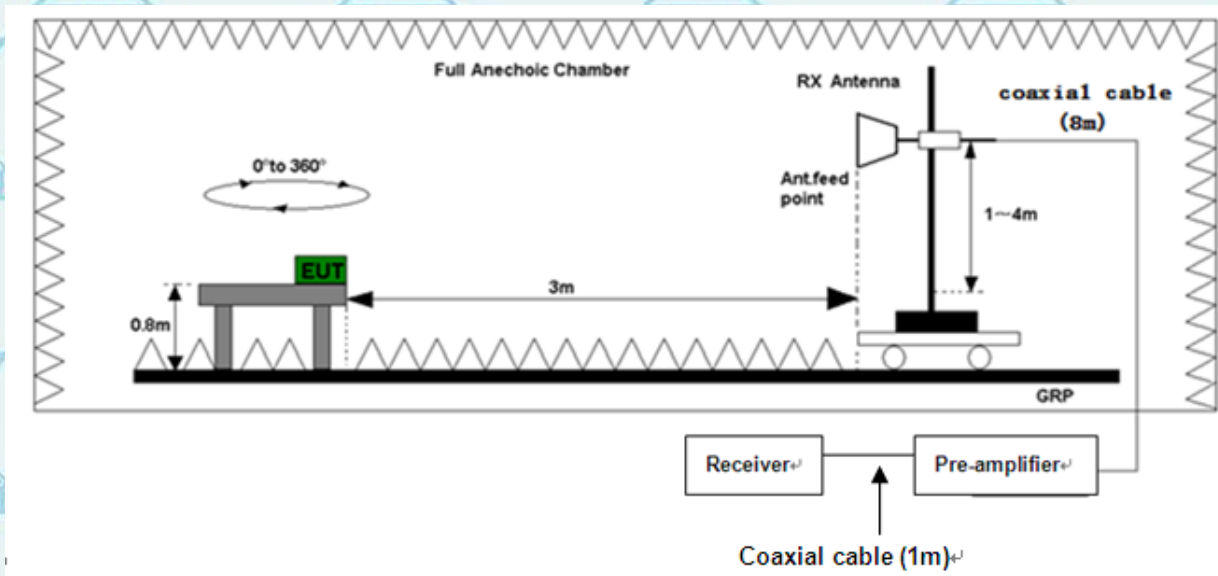


**TEST SETUP**

(A) Radiated Emission Test-Up Frequency 30MHz~1GHz



(B) Radiated Emission Test-Up Frequency Above 1GHz





Report No.: WSCT-A2LA-R&E240300014A-15B

Certificate #5768.01

For Question, Please Contact with WSCT  
www.wsct-cert.com

### 7.2.2. Test Results

Temperature	20 °C	Relative Humidity	48%
Pressure	1010 hPa	Test Mode	Adapter: Mode 3(the worst case)

Please refer to following diagram for individual

Below 1GHz

Horizontal:



No.	Mk.	Freq. MHz	Reading Level dBuV	Correct Factor dB	Measure- ment dBuV/m	Limit dBuV/m	Over dB	Detector
1		32.6340	32.77	-2.52	30.25	40.00	-9.75	QP
2		60.0691	27.00	-2.82	24.18	40.00	-15.82	QP
3		103.8055	31.55	-5.24	26.31	43.50	-17.19	QP
4	!	275.1570	44.55	-3.19	41.36	46.00	-4.64	QP
5	*	317.7011	44.71	-1.98	42.73	46.00	-3.27	QP
6		801.7863	30.59	6.40	36.99	46.00	-9.01	QP



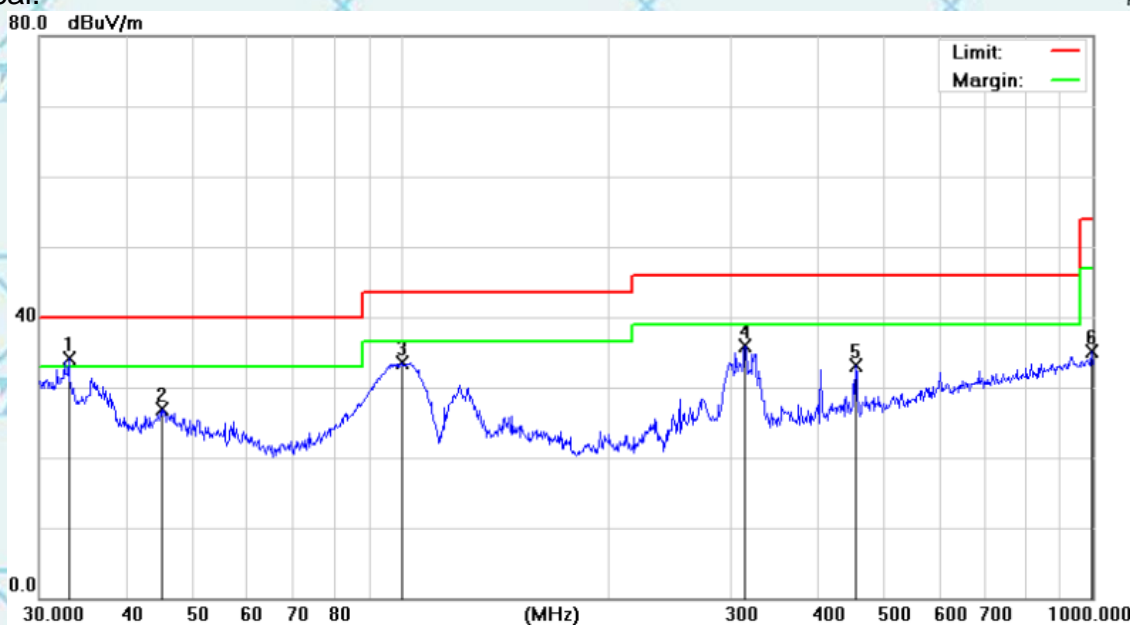


Report No.: WSCT-A2LA-R&E240300014A-15B

Certificate #5768.01

For Question, Please Contact with WSCT  
www.wsct-cert.com

Vertical:



No.	Mk.	Freq. MHz	Reading Level dBuV	Correct Factor dB	Measure- ment dBuV/m	Limit dBuV/m	Over dB	Detector
1	*	33.0950	36.52	-2.51	34.01	40.00	-5.99	QP
2		45.0583	28.80	-1.98	26.82	40.00	-13.18	QP
3		100.2286	39.25	-5.68	33.57	43.50	-9.93	QP
4		314.3765	37.99	-2.10	35.89	46.00	-10.11	QP
5		454.3100	31.97	1.07	33.04	46.00	-12.96	QP
6		996.4996	26.48	8.53	35.01	54.00	-18.99	QP

Note:

Freq. = Emission frequency in MHz

Reading level (dBuV) = Receiver reading

Corr. Factor (dB) = Antenna factor + Cable loss - Amplifier factor.

Measurement (dBuV) = Reading level (dBuV) + Corr. Factor (dB)

Limit (dBuV) = Limit stated in standard

Margin (dB) = Measurement (dBuV) – Limits (dBuV)





Report No.: WSCT-A2LA-R&E240300014A-15B

Certificate #5768.01

For Question,  
Please Contact with WSCT  
www.wsct-cert.com

### TEST RESULTS

Above 1GHz(1~26GHz) :( Adapter:Mode 3—worst case)

Freq. (MHz)	Ant. Pol.	Emission Level(dBuV)		Limit 3m(dBuV/m)		Over(dB)	
		PK	AV	PK	AV	PK	AV
1246.68	V	60.72	40.06	74	54	-13.28	-13.94
2202.62	V	58.75	39.06	74	54	-15.25	-14.94
1763.75	H	58.05	39.87	74	54	-15.95	-14.13
2363.88	H	59.37	40.37	74	54	-14.63	-13.63

**Remark:**

All emissions not reported were more than 20dB below the specified limit or in the noise floor.

Freq. = Emission frequency in MHz

Factor = Antenna Factor + Cable Loss – Pre-amplifier.

Over= Emission Level - Limit.

All the x/y/z orientation has been investigated, and only worst case is presented in this report.

**\*\*\*\*\*END OF REPORT\*\*\*\*\***

