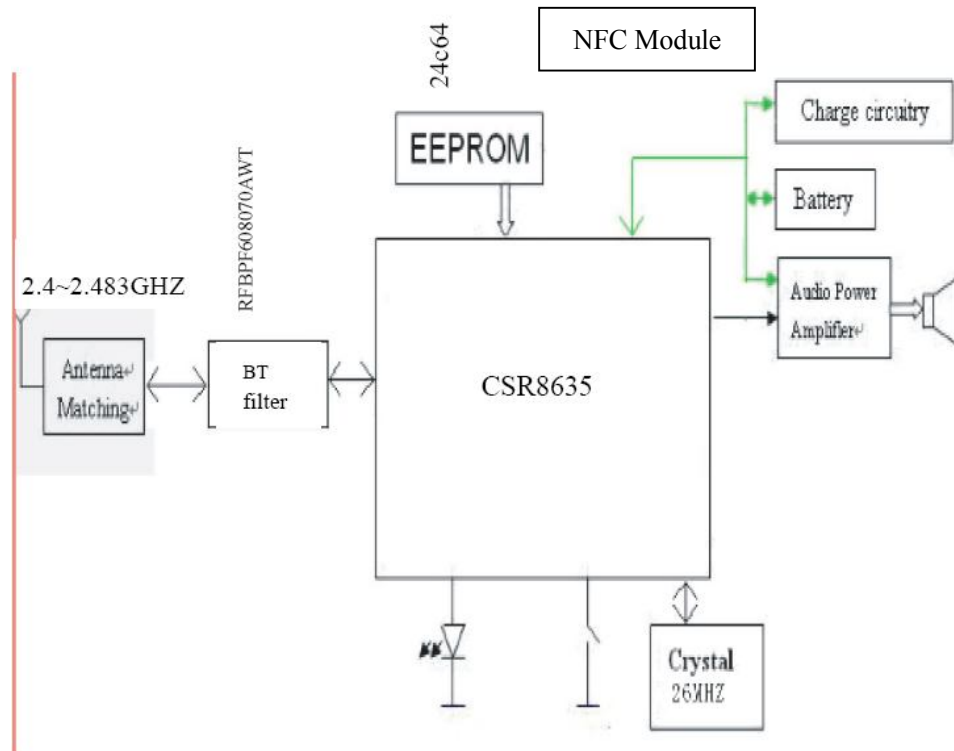


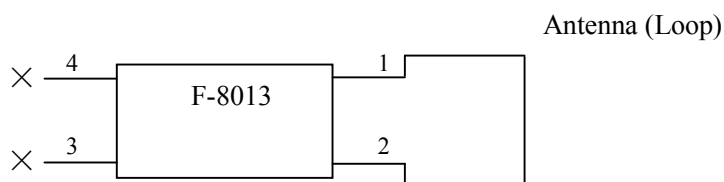
1. Block Diagram of *Bluetooth Speaker* Hardware Structure and Function



The crystal oscillator frequency is 26 MHz.

2. Block Diagram of NFC Module:

NFC Module only has an IC (F8013) and a loop antenna.



1. Antenna
2. Antenna
3. GND
4. FD