

boytone™

www.boytone.com

2.1CH MULTIMEDIA SPEAKER SYSTEM

FCC ID:2AD33-C2901



DEAR CUSTOMER:

Thank you to buy the product!  
Prior to first use, please read the manual carefully.

Operation explanation:

SPECIFICATIONS

Output Power: 26W+12Wx2=50(RMS)

Drive Units: 3" x2 full range magnetically shielded + 5" subwoofer

Frequency Response: Satellites: 120Hz-20KHz

Subwoofer:20Hz-170Hz

Separation: ≥40 dB

S/N: ≥60dB

Distortion: ≤0.5%(1K, 1W)

Power Supply: ~100V-240V 50/60Hz

Dimensions: Subwoofer: W160xH277xD302(mm)

Satellite: W105xH170xD92(mm)

Features:

- Quality 2.1 speaker system with built-in amplifier
- Full audio spectrum performances, ideal for your favourite entertainment from Mp3, Mp4, CD/DVD movies and digital playbacks
- Specially designed woofer cabinet for bass and resolution
- Comes with remote control and 3.5mm stereo connection

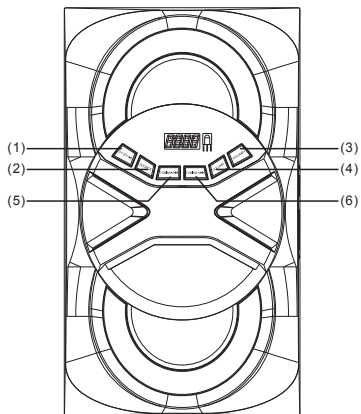
Package contents:

subwoofer cabinet .....	1 pc
satellite speakers .....	2 pcs
remote control .....	1 pc
User manual .....	1 pc
Audio input cord .....	1 pc
FM ANT .....	1 pc

NO.1

Front panel

1. ST-BY/▶▶
2. SOURCE
3. VOLUME+
4. VOLUME-
5. TUNING-/◀◀
6. TUNING+/▶▶



ST-BY/PLAY/PAUSE-----Press to turn on speaker,long press into stand-by.

PLAY/PAUSE on the USB/SD/BT mode.

SOURCE-----Change the input mode.

VOLUME-/+ -----Volume down/up.

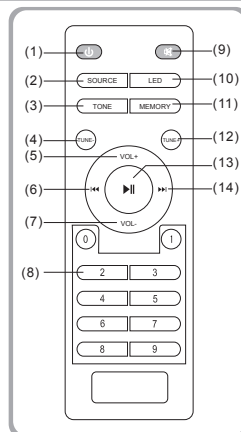
TUNING+/NEXT -----Press once to increase the FM frequency 0.1M,  
long press to the semi-automatic search for radio.

In USB/SD/BT mode, press "NEXT" play next song.

TUNING-/PREVIOUS -----Press once to reduce the FM frequency 0.1M,  
long press to the semi-automatic search for radio.In USB/SD/BT mode, press "PREVIOUS"  
play previous song.

NO.2

How to use the remote control



1. ST-BY
2. SOURCE
3. TONE
4. TUNING-
5. VOL+
6. PREVIOUS
7. VOL-
8. 0~9
9. MUTE
10. LED effect
11. MEMORY
12. TUNING+
13. PLAY/PAUSE
14. NEXT

1. Press "ST-BY" LED showing "Au18",it is AUX mode playing state.

2."MUTE" means to activate or deactivate mute.

3."SOURCE" means you can choose AUX , DVD ,USB/SD,FM,BL input mode, at the same time ,the LED will show "Au18"means AUX mode, "Du18" means DVD mode. "87.5"means FM mode, "bL18"means BL mode.

4."TONE" means you can choose "TREBLE" and "BASS" "VOL+/-" means you can increase or decrease volume of "TREBLE" or "BASS".

5. When enter into FM mode,press"MEMORY"the number on the LED will Blink.this means the machine is under save channel state.You can change the blinking number by pressing"NEXT"or "PREV",press"PLAY/PAUSE"you can save the channel into same number.it will enter into automatic search channel and automatic save channel when pressing "MEMORY"for 3-5 seconds (noted:the channel which you saved before will be deleted when you press "MEMORY"for 3-5 seconds.

6. When entering into USB/SD mode. "NEXT" means next song; "PREV" means previous song; "PLAY/PAUSE" means play/pause; pressing the number "0-9" on the remote control,you can choose the corresponding song.

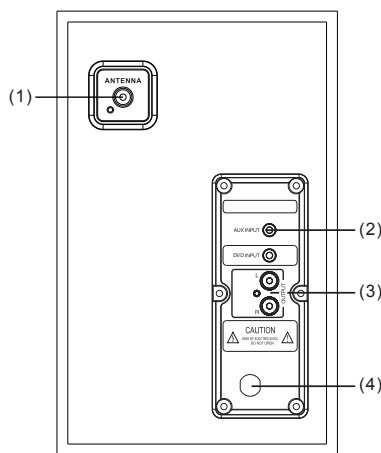
7. VOL+/- means you can increase or decrease volume.

8."TUNING-" means decrease the frequency of channel selection. Press "TUNING-" for a long time means decrease the frequency of channel selection continuously

NO.3

9. "TUNING+" means increase the frequency of channel selection. Press "TUNING+" for a long time means increase the frequency of channel selection continuously.
10. "PLAY/PAUSE" means play/pause for USB/SD.
11. "PREV" means previous song for USB/SD.
12. "NEXT" means next song for USB/SD.
13. Press "SOURCE" buttons on the remote to convert to Bluetooth input mode, LED display right bottom start to flashing (2 seconds) to search the Bluetooth device. Turn on your mobile Bluetooth device and search the device name "BT SPEAKER", paired them well. When you have successfully paired your mobile to the speaker system, the LED right bottom stop flashing. When start to play your mobile music, the LED flashed every one second. The functions as "PREVIOUS/NEXT", "PLAY/PAUSE", can operate via the front panel. On BL mode, when connecting with mobile, press "M" for 3 seconds, bluetooth function can be force-disconnected.
14. Press "LED" each time to change LED effect (LED1-LED6), when press "LED" long time turn off LED effect, Depress again to activate LED effect.

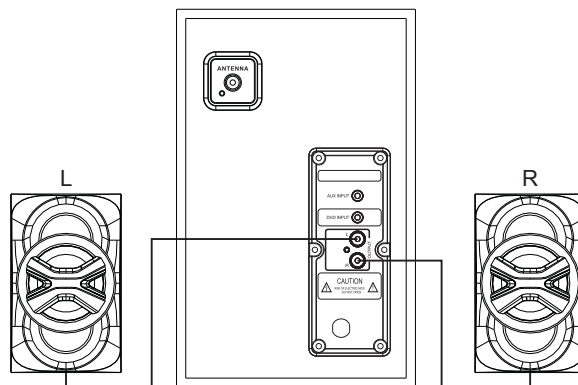
### Rear panel



1. ANTENNA
2. AUX/DVD INPUT:  
Connect to sound sources such as computer, CD Player, MP3, etc.
3. Output: Connect the satellite speakers.
4. AC IN: AC Power cord

NO.4

### System connection diagram



1. Connect the audio sources  
Connect the 3.5mm cable to the input of the subwoofer, make sure the red and white color jack to the correspond input of the woofer. Connect the 3.5mm stereo input jack into the output of the audio sources, such as MP3, MP4, walkman, computer etc.
2. Power on the system, adjust the master volume to the suitable level. Adjust "VOL" to the suitable to meet your different requirement.

### SPEAKER TERMINALS

Connect the left & right channel satellite to 2.1 speaker output terminals.



\* Do not leave objects generating magnetism near the speakers.

NO.5

### FCC Caution

This device complies with part 15 of the FCC Rules. Operation is subject to the following two conditions: (1) this device may not cause harmful interference, and (2) this device must accept any interference received, including interference that may cause undesired operation.

Any changes or modifications not expressly approved by the party responsible for compliance could void the user's authority to operate the equipment.

NOTE: This equipment has been tested and found to comply with the limits for a Class B digital device, pursuant to Part 15 of the FCC Rules. These limits are designed to provide reasonable protection against harmful interference in a residential installation. This equipment generates, uses and can radiate radio frequency energy and, if not installed and used in accordance with the instructions, may cause harmful interference to radio communications. However, there is no guarantee that interference will not occur in a particular installation.

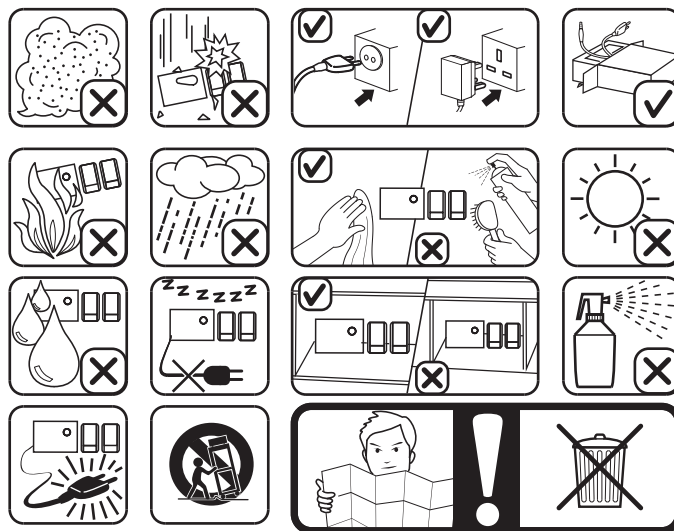
If this equipment does cause harmful interference to radio or television reception, which can be determined by turning the equipment off and on, the user is encouraged to try to correct the interference by one or more of the following measures:

- Reorient or relocate the receiving antenna.
- Increase the separation between the equipment and receiver.
- Connect the equipment into an outlet on a circuit different from that to which the receiver is connected.
- Consult the dealer or an experienced radio/TV technician for help.

To maintain compliance with FCC's RF Exposure guidelines, This equipment should be installed and operated with minimum distance between 20cm the radiator your body: Use only the supplied antenna.

NO.6

### In use please pay attention to the following items:



\*if the remote control cannot function, it is because the battery of remote control has been used up. thank you.



NO.7