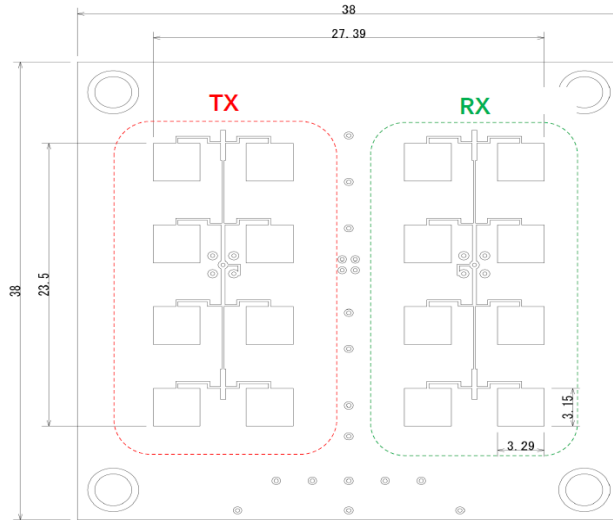


Antenna Description

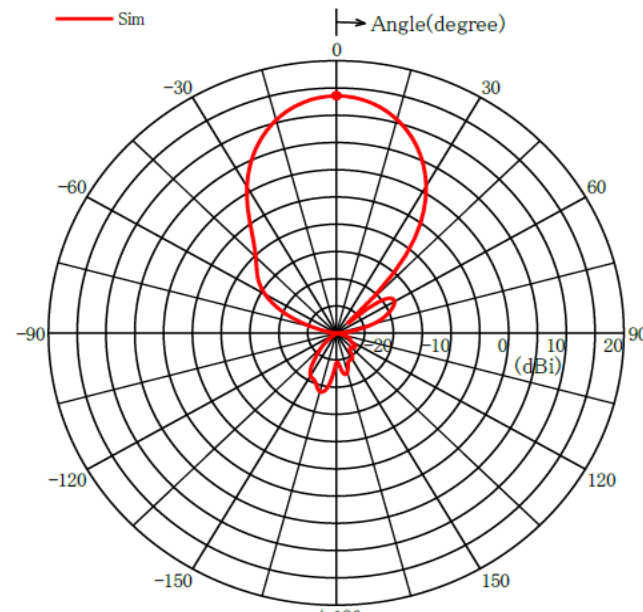
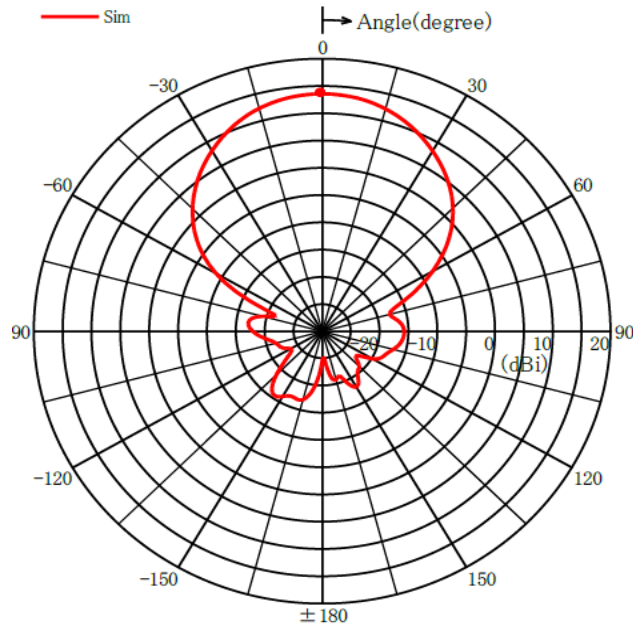
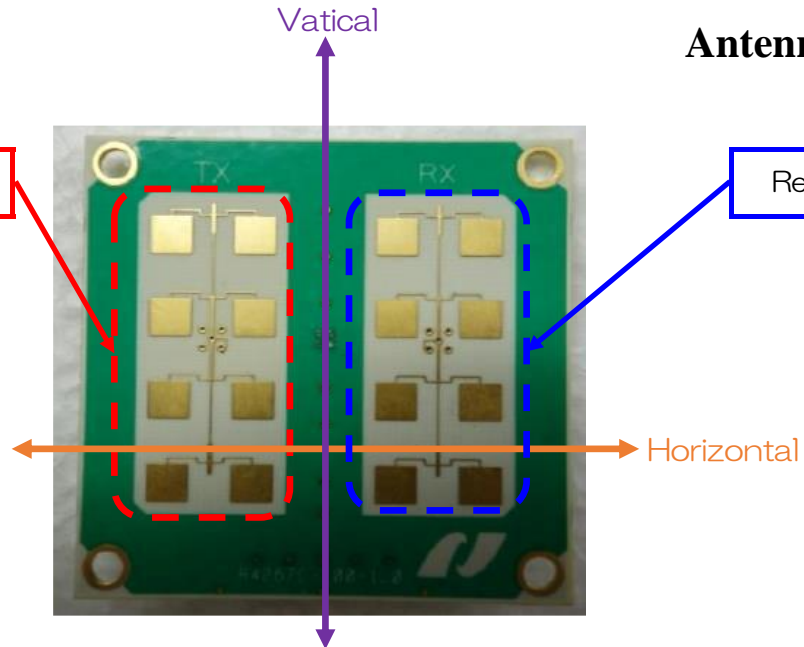
Model NJR4267F3C1

Antenna Gain:Max 13.57dBi



Transmitting Antenna

Receiving Antenna



Radiation Pattern

NJR4267F3C1 has Transmitting & Receiving antenna. They are patch antennas. Transmitting antenna consists of 2 patch antenna elements 8 elements size are 3.29mm X 3.15mm.