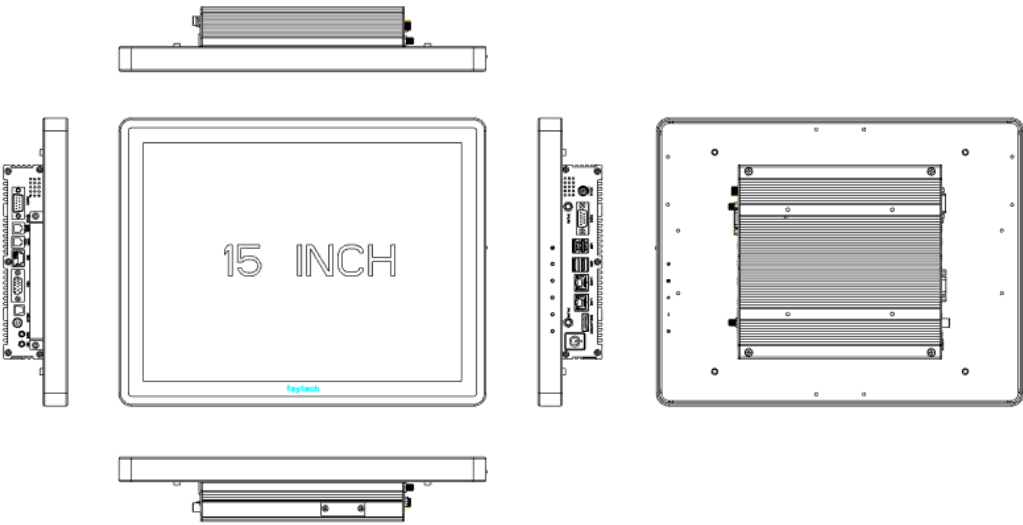


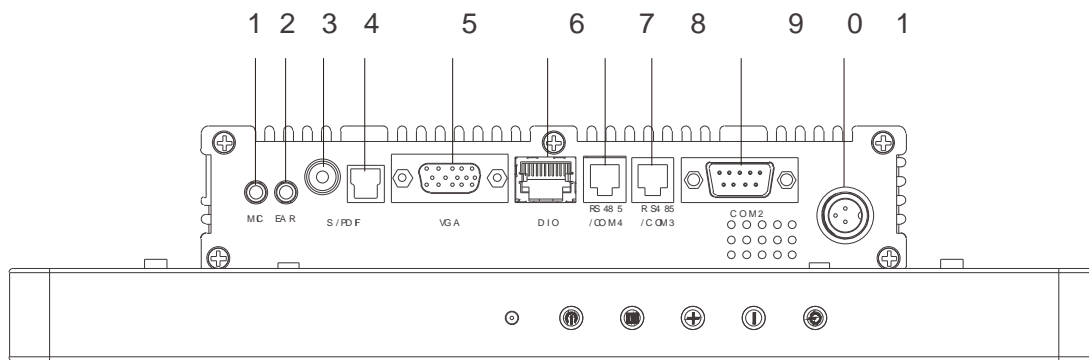
Capacitive Touch Screen PC Manual

Product: Capacitive Touch Screen PC

Model No.: FT15J1900

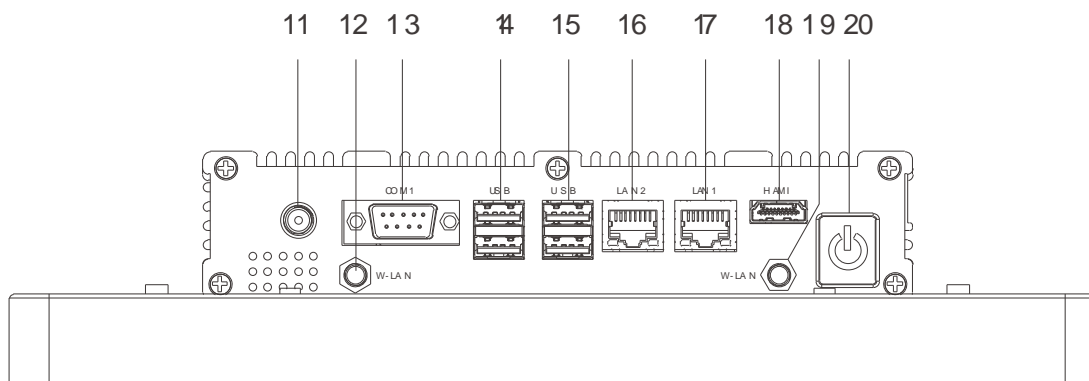
Trade Mark:faytech



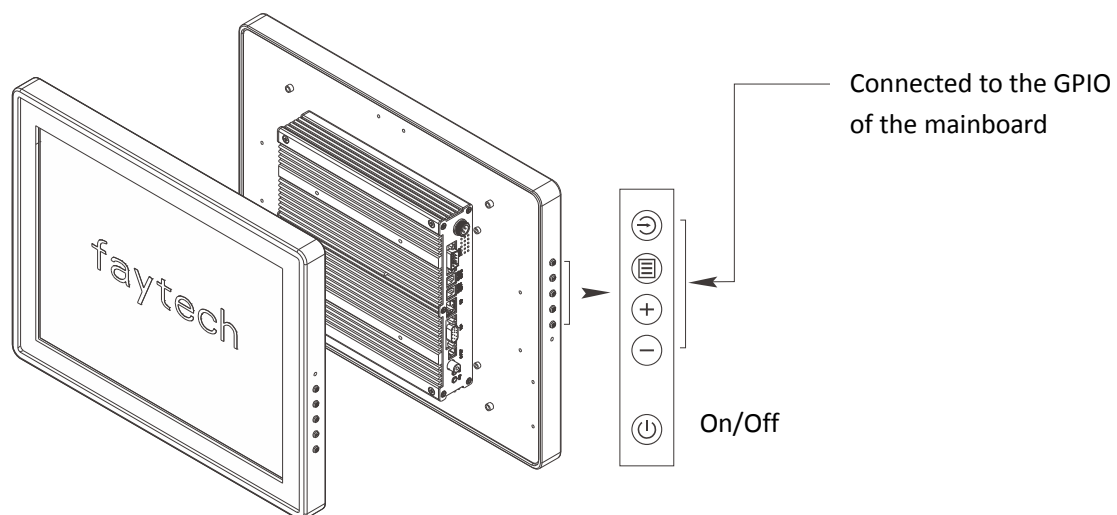


- 01. Mic-In
- 02. Ear-Out
- 03. S/PDIF
- 04. TOS Link S/PDIF
- 05. VGA
- 06. GPIO
- 07. RS485/COM4 switchable
- 08. RS485/COM3 switchable
- 09. COM2
- 10. Screwable Power Connector (optional)

Additionally included in delivery 100-240V switching power supply, touch pen, manual and driver DVD for Windows and Linux OS.



11. Power Connector 12V DC-IN
12. Screwable W-Lan Connector
13. COM1,RS232, 5V/12V switchable in BIOS
14. 2 x USB2.0
15. 1 x USB2.0, 1Xusb 3.0
16. 10/100/1000MBit network interface
17. 10/100/1000MBit network interface
18. DP Connector
19. Screwable W-Lan Connector
20. On/Off button



Commissioning and Installation

faytech offers you a well-engineered, high-quality PC hardware. For the software installation, use and maintenance the respective user is responsible.

Windows and Linux drivers for our faytech Touch PC's are included on the bundled driver DVD. Feel free to check www.faytech.com to see whether there are updated versions of drivers available.

FTJ1900: please use the completed driver packages of faytech's IPC mainboard.

To start, simply connect your faytech-touch PC to the included AC adaptor or use an equivalent power 12V DC source with at least 5A DC. To start the system, press the On/Off button.

Troubleshooting

If you encounter problems or ambiguities during the usage, please first refer to the detailed instruction manual (available on the driver DVD and on www.faytech.com).

In case you are unable to resolve the issue this way please contact us directly.

FCC WARNING

This device complies with part 15 of the FCC Rules. Operation is subject to the following two conditions: (1) this device may not cause harmful interference, and (2) this device must accept any interference received, including interference that may cause undesired operation.

Any changes or modifications not expressly approved by the party responsible for compliance could void the user's authority to operate the equipment.

NOTE: This equipment has been tested and found to comply with the limits for a Class B digital device, pursuant to Part 15 of the FCC Rules. These limits are designed to provide reasonable protection against harmful interference in a residential installation. This equipment generates, uses and can radiate radio frequency energy and, if not installed and used in accordance with the instructions, may cause harmful interference to radio communications. However, there is no guarantee that interference will not occur in a particular installation.

If this equipment does cause harmful interference to radio or television reception, which can be determined by turning the equipment off and on, the user is encouraged to try to correct the interference by one or more of the following measures:

- Reorient or relocate the receiving antenna.
- Increase the separation between the equipment and receiver.
- Connect the equipment into an outlet on a circuit different from that to which the receiver is connected.
- Consult the dealer or an experienced radio/TV technician for help.

To maintain compliance with FCC's RF Exposure guidelines, This equipment should be installed and operated with minimum distance between 20cm the radiator your body: Use only the supplied antenna.

FCC ID: 2AC8IFT15J1900

copyright to faytech Tech. Co., Ltd. 2016-2017