



# AMS001 AMS002 Data Sheet



## Disclaimer

While the information provided in this document is believed to be accurate, it is under development and ACKme Networks reserves the right to make changes without further notice to the product described herein to improve reliability, function, or design, and makes no guarantee or warranty concerning the accuracy of said information, nor shall it be responsible for any loss or damage of whatever nature resulting from the use of, or reliance upon, such information. ACKme Networks makes no warranties of any kind, whether express, implied or arising by custom or course of trade or performance, and specifically disclaims the implied warranties of title, non-infringement, merchantability, or fitness for a particular purpose.

No part of this document may be copied, reproduced, stored in a retrieval system, or transmitted, in any form or by any means, electronic, mechanical, photographic, or otherwise, or used as the basis for manufacture or sale of any items without the prior written consent of ACKme Networks.

## Trademarks

ACKme Networks and the ACKme Networks logo are trademarks of ACKme Networks. WICED™ is a trademark of Broadcom® Corporation, Inc. Bluetooth® is a trademark of the Bluetooth SIG. Other trademarks in this document belong to their respective owners.

Copyright © 2014 ACKme Networks.

All rights reserved.

Document Number: ADS-MS00x-1xx

Release Date: TBA

## Contact

<http://ack.me/contact>

## About this Data Sheet

This document provides information on the family of AMS00x Bluetooth Low Energy (Bluetooth Smart) modules from ACKme Networks.

## Organization

This data sheet is organized into the following sections:

- [Features & Applications](#)
- [General Description, Section 1](#)
- [Block Diagram, Section 2](#)
- [Electrical Specifications, Section 3](#)
- [Bluetooth RF Specifications, Section 4](#)
- [Pinout and Signal Descriptions, Section 5](#)
- [Design Guidelines, Section 6](#)
- [Regulatory Certification, Section 7](#)
- [Packaging, Handling & Storage, RoHS, Section 8](#)
- [Ordering Information, Section 9](#)
- [Revision History & Glossary, Section 10](#)

---

## AMS00x Family Data Sheet

### Embedded Bluetooth Low Energy Solution

---

#### Features

- Bluetooth Low Energy (Bluetooth Smart) modules fully certified to meet Bluetooth version 4.1.
- Integrated SPI-serial flash supports firmware updates and multiple on-board applications
- On-board PCB-style antenna
- ARM® Cortex™ M3-based microprocessor core
- Programmable RF transmit power control
- Operation directly from a battery or mains supply
- Small size enables integration into most sensor products and applications
- Secure Over-the-Air (OTA) software update using industry-standard AES-128 security
- On-board Bluetooth Low Energy stack supports multiple Bluetooth Smart Use Cases including Battery status, Blood pressure monitor, Proximity, Thermometer, Glucose meter plus many more
- Easily integrated into existing or new products using TruConnect, ACKme's configurable Bluetooth Low Energy application (pre-installed on every module)
- Supports custom application development using the Broadcom WICED Smart Software Development System.

#### Interfaces\*

- A/D converter: 8 channels with 4 modes providing variable resolution (10-13 ENOBs), sampling rate (5.9-187 kHz) and conversion latency (5-171  $\mu$ s)
- USART: 2 x 4-wire up to 1.5 Mbit/s
- SPI: 1 x master/slave, 1 x slave-only at  $\leq$ 12 Mbit/s
- I<sup>2</sup>C: 1 x I<sup>2</sup>C master interface up to 1 MHz
- GPIO: Up to 15 GPIOs (overlaid with peripherals), programmable pull-up/pull-down resistors with up to 16 mA drive strength at 3.3V (2 mA standard).
- 4 x PWM channels each with a 10-bit counter clocked at 128 kHz, 1 MHz or 8 MHz.
- Infrared: Modulator and IR learning
- Wake-up: Wake from timer, UART or GPIOs for ultra-low power operation
- Serial-wire Debug interface

*\*Some interfaces share module pins*

#### Operational & Radio

- Operational voltage : 1.8V - 3.6V
- Operational Temperature Range: -30°C to +85°C
- Size : 17.6 x 11.4 x 2.3mm (0.70" x 0.45" x 0.09")
- Weight : 0.04 oz (1.2g)
- Current consumption @ 3.0V, 25°C
  - Deep Sleep : 0.65  $\mu$ A
  - Sleep : 12  $\mu$ A
  - AMS001
    - Active Receive : 12.8 mA
    - Active Transmit : 12.1 mA
  - AMS002
    - Active Receive : 24.5 mA
    - Active Transmit : 22.8 mA
- RF Transmit Power: +4 dBm
- Receive Sensitivity : -94 dBm

#### Applications

- Health & Fitness
  - Fitness Equipment
  - Heart rate monitors
  - Weight scales
  - Thermometers
  - Pedometers
  - Glucose meters
  - Blood pressure monitoring
- Retail
  - Advertising and Beacons
  - Proximity detection
  - Point-of-sale
- Home & Industrial Control and Automation
  - Appliance control and monitoring
  - Doors/Window monitoring
  - Alarms
  - Wireless cable replacement
  - Environmental & Energy monitoring
  - Wireless sensing, remote data logging
- Consumer
  - Toys
  - Robots
  - Remote controls

# Contents

|       |   |    |       |   |    |
|-------|---|----|-------|---|----|
| 1     | General Description .....                       | 1  | 7.2.1 | Labeling and User Information Requirements..... | 12 |
| 2     | Block Diagram .....                             | 2  | 7.2.2 | External Antenna Types.....                     | 13 |
| 3     | Electrical Specifications.....                  | 3  | 7.2.3 | Further Information.....                        | 13 |
| 3.1   | Absolute Maximum Ratings.....                   | 3  | 7.3   | Europe .....                                    | 14 |
| 3.2   | Recommended Operating Conditions .....          | 3  | 7.3.1 | Labeling and User Information Requirements..... | 14 |
| 3.2.1 | DC Operating Conditions .....                   | 3  | 7.3.1 | External Antenna Requirements .....             | 14 |
| 3.2.2 | Environmental Conditions .....                  | 3  | 7.3.2 | Further Information.....                        | 14 |
| 3.3   | Power Consumption .....                         | 4  | 7.4   | Australia.....                                  | 16 |
| 3.4   | ADC Specifications .....                        | 4  | 7.4.1 | External Antenna Requirements .....             | 16 |
| 4     | Bluetooth RF Specifications .....               | 5  | 7.4.2 | Further Information.....                        | 16 |
| 4.1   | Summary RF Specifications.....                  | 5  | 7.5   | New Zealand .....                               | 16 |
| 4.2   | Receiver Specifications .....                   | 5  | 7.5.1 | External Antenna Requirements .....             | 16 |
| 4.3   | Transmitter Specifications.....                 | 6  | 7.5.2 | Further Information.....                        | 16 |
| 5     | Pinout and Signal Descriptions .....            | 7  | 8     | Packaging, Handling & Storage, RoHS.....        | 17 |
| 5.1   | Pinout.....                                     | 7  | 8.1   | Packaging.....                                  | 17 |
| 5.2   | Pin Description.....                            | 7  | 8.2   | Handling & Storage.....                         | 17 |
| 6     | Design Guidelines.....                          | 9  | 8.3   | RoHS Directive .....                            | 17 |
| 6.1   | Recommended PCB Footprint .....                 | 9  | 9     | Ordering Information.....                       | 18 |
| 6.2   | Routing Recommendations .....                   | 9  | 10    | Revision History & Glossary .....               | 19 |
| 6.3   | Soldering Information.....                      | 10 | 10.1  | Revision History .....                          | 19 |
| 6.4   | AMS00x Photograph.....                          | 10 | 10.2  | Glossary .....                                  | 19 |
| 6.5   | Application Examples.....                       | 10 |       |   |    |
| 6.5.1 | Operation using TruConnect.....                 | 10 |       |   |    |
| 7     | Regulatory Certification .....                  | 11 |       |   |    |
| 7.1   | United States .....                             | 11 |       |   |    |
| 7.1.1 | Labeling and User Information Requirements..... | 11 |       |   |    |
| 7.1.2 | RF Exposure .....                               | 12 |       |   |    |
| 7.1.3 | External Antenna .....                          | 12 |       |   |    |
| 7.1.4 | Further Information.....                        | 12 |       |   |    |
| 7.2   | Canada .....                                    | 12 |       |   |    |

# 1 General Description

The family of AMS00x modules from ACKme Networks is based on an ultra-low power Bluetooth Low Energy (Bluetooth Smart) SoC from Broadcom Corporation. All modules incorporate serial-flash memory and a printed antenna to provide a state-of-the-art fully-certified Bluetooth 4.1 solution.

An integrated solution avoids difficult RF layout and enables designers to rapidly embed Bluetooth Low Energy into virtually any device.

Modules ship with ACKme TruConnect, an easy-to-use application enabling control and configuration via a UART-serial interface. TruConnect virtually eliminates difficult and time-consuming software development effort and vastly reduces product development cycles. If required, custom applications may also be developed using the Broadcom WICED Smart Software Development Kit.

With dimensions of just 17.6 x 11.4 mm, a wide temperature range, and an ultra-low power version, the module is suitable for integration into any battery-powered embedded wireless application.

The Bluetooth Low Energy SoC from Broadcom is purpose-designed to support the entire spectrum of Bluetooth Smart use cases for medical, home automation, accessory, sensor, retail and wearable market segments. Superior receive sensitivity, an integrated RF transmit power amplifier and transmit/receive switch, along with the on-board antenna, provide extended range and full compatibility with all Bluetooth 4.1 devices.

At the heart of all AMS00x modules is a Bluetooth Low Energy SoC with a high-performance ARM® 32-bit Cortex™-M3 core operating at a frequency of 48MHz. The SoC includes is configured to boot applications stored in the 512 kB serial flash memory available on-board the module.

Each module provides an extensive array of I/O and peripheral interfaces. The following list of interfaces are available, many of which are accessible with I/O multiplexing and alternate function capabilities.

- 8 x A/D converter channels
- 2 x 4-Wire UART interfaces
- 1 x SPI master/slave, 1 x SPI slave bus
- 1 x I<sup>2</sup>C interface
- 1 x Infrared Modulator / IR learning input
- 15 x ultra-low power wake inputs
- 32kHz crystal interface

The module may be powered directly from a battery supply in the range 1.8-3.6V including 2xAAA, 2xAA, or a single Lithium coin cell.

Internal power domains are automatically adjusted to minimise power dissipation based on user activity. Various power modes, including an ultra-low power deep sleep mode, are provided to minimize total average power consumption and maximize battery life.

The module may be woken from deep sleep mode by various events including a level transition on any GPIO, the UART or an internal timer.

An internal 32kHz low-power oscillator is available by default for non-critical timing requirements. Applications requiring an accurate real-time clock may connect an (optional) external 32kHz crystal.

Application debugging with a software debugger such as gdb is enabled via a standard Serial Wire Debug interface.

All versions of the module have Bluetooth BQB SIG certification, and FCC & IC modular approval for use in the United States and Canada, and CE approval for use in Europe and other countries.

## 2 Block Diagram

Figure 1 is a block diagram showing the architecture of AMS00x Bluetooth Low Energy modules. The major components are a Bluetooth Low Energy SoC from Broadcom Corporation, 24MHz crystal, 512 kbyte serial flash and a PCB-style antenna. The AMS001 version also includes a high-efficiency DC-DC switching regulator to minimize active mode power consumption.

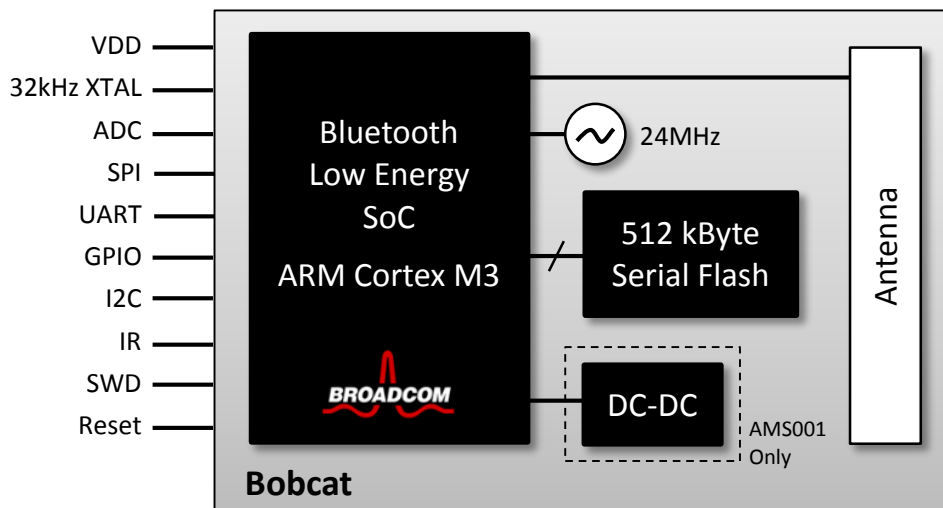
The Bluetooth SoC is powered by an ARM Cortex M3-based RISC processor running at 48 MHz with 60 kB RAM. The SoC is driven by a 24 MHz crystal, an on-board real-time clock may be (optionally) enabled by connecting an external 32kHz crystal.

The 512 kByte serial flash memory is used to store multiple applications and to enable secure Over-the-Air (OTA) wireless firmware updates. The integrated PCB antenna simplifies RF integration into end products.

An extensive array of analog and digital peripherals including ADCs, GPIOs, PWMs and multiple serial interfaces such as UART, SPI, I2C and Infrared are accessible via module pins.

The module is powered by a single-rail battery or mains supply.

Figure 1. AMS00x Architecture



## 3 Electrical Specifications

### 3.1 Absolute Maximum Ratings

CAUTION! The absolute maximum ratings in Table 1 and Table 2 indicate levels where permanent damage to the device can occur, even if these limits are exceeded for only a brief duration. Functional operation is not guaranteed under these conditions. Operation at absolute maximum conditions for extended periods can adversely affect long-term reliability of the device.

**Table 1. Absolute Maximum Voltage Ratings**

| Symbol             | Ratings                              | Min.    | Max. | Unit |
|--------------------|--------------------------------------|---------|------|------|
| VDD <sub>max</sub> | DC supply voltage applied to VDD pin | GND-0.3 | 3.8  | V    |

**Table 2. Absolute Maximum Environmental Ratings**

| Characteristic      | Note                     | Min. | Max. | Unit |
|---------------------|--------------------------|------|------|------|
| Storage Temperature | –                        | -40  | +125 | °C   |
| Relative Humidity   | Non-condensing (storage) | –    | 65   | %    |

### 3.2 Recommended Operating Conditions

Functional operation is not guaranteed outside the limits shown in Table 3 and Table 4, and operation outside these limits for extended periods can adversely affect long-term reliability of the device.

#### 3.2.1 DC Operating Conditions

**Table 3. Recommended DC Operating Conditions**

| Symbol | Ratings <sup>1</sup>                 | Min. <sup>2</sup> | Typical | Max. | Unit |
|--------|--------------------------------------|-------------------|---------|------|------|
| VDD    | DC supply voltage applied to VDD pin |                   |         |      |      |
|        | On-board serial flash read-only      | 1.8               | –       | 3.63 | V    |
|        | On-board serial flash read and write | 2.2               | –       | 3.63 | V    |

**Notes:**

1. Overall performance degrades beyond minimum and maximum supply voltages.

#### 3.2.2 Environmental Conditions

**Table 4. Recommended Environmental Conditions**

| Characteristic      | Note                       | Min. | Max. | Unit |
|---------------------|----------------------------|------|------|------|
| Ambient Temperature |                            | -30  | +85  | °C   |
| Relative Humidity   | Non-condensing (operating) | –    | 85   | %    |

### 3.3 Power Consumption

The AMS00x automatically adjusts power dissipation based on user activity to minimize power usage. The power consumption in each state, and for each version of the module, is specified in Table 5.

**Table 5. Power Consumption (@3.0V, 25°C)**

| Operational State            | Note  | Typical | Max. | Unit |
|------------------------------|---|---------|------|------|
| Deep sleep                   | Wake on interrupt                                       | 0.65    | –    | μA   |
| Sleep                        | Wake in <5 ms   | 12.0    | 19.2 | μA   |
| Active Receive <sup>1</sup>  | Receiver is enabled and operating at 100% duty cycle    | 12.8    | 13.0 | mA   |
| Active Transmit <sup>1</sup> | Transmitter is enabled and operating at 100% duty cycle | 12.1    | 12.3 | mA   |
| Active Receive <sup>2</sup>  | Receiver is enabled and operating at 100% duty cycle    | 24.5    | 25.0 | mA   |
| Active Transmit <sup>2</sup> | Transmitter is enabled and operating at 100% duty cycle | 22.8    | 23.3 | mA   |

**Notes:**

1. AMS001 version
2. AMS002 version

### 3.4 ADC Specifications

**Table 6. ADC Specifications (@ 25°C)**

| Parameter                 | Symbol        | Conditions               | Min.  | Typ.   | Max.  | Unit  |
|---------------------------|---------------|--------------------------|-------|--------|-------|-------|
| Input Channels            | –             |                          | –     | 8      | –     | –     |
| Channel Switching Rate    | $f_{ch}$      |                          | –     | 133.33 | –     | kch/s |
| Input signal range        | $V_{inp}$     |                          | 0     | –      | 3.63  | V     |
| Reference settling time   | –             |                          | 7.5   | –      | –     | μS    |
| Input resistance          | $R_{in}$      | Effective, single ended  | –     | 500    | –     | kΩ    |
| Input capacitance         | $C_{in}$      |                          | –     | –      | 5     | pF    |
| Conversion rate           | $R_c$         |                          | 5.859 | –      | 187   | kHz   |
| Conversion time           | $T_c$         |                          | 5.35  | –      | 170.7 | μS    |
| Effective Number of Bits  | ENOB          |                          | 10    | –      | 13    | bits  |
| Abs. Voltage Meas. Error  | –             |                          | –     | ±2     | –     | %     |
| Current                   | $I$           |                          | –     | –      | 1     | mA    |
| Leakage Current           | $I_{leakage}$ |                          | –     | –      | 100   | nA    |
| Power-up time             | $T_{pup}$     |                          | –     | –      | 200   | μS    |
| Integral nonlinearity     | $I_{NL}$      | LSBs at the 10-bit level | -1    | –      | 1     | LSB   |
| Differential nonlinearity | $D_{NL}$      | LSBs at the 10-bit level | -1    | –      | 1     | LSB   |



## 4 Bluetooth RF Specifications

Unless otherwise stated, the specifications in this section apply when the operating conditions are within the limits specified in Section 3.2, Recommended Operating Conditions. Functional operation outside these limits is not guaranteed.

All specifications are measured with a coax pigtail soldered to the PCB antenna feed point, with VDD = 3.0V and at a room temperature of 25°C.

### 4.1 Summary RF Specifications

Table 7. Summary RF Specifications

| Feature Supported             | Description   |
|-------------------------------|---|
| Bluetooth Standard            | Version 4.0   |
| Frequency Band                | 2.402 GHz – 2.480 GHz   |
| Channels (2MHz spacing)       | 3 x Advertising channels @ 2402 / 2426 / 2480 MHz<br>36 x Data channels |
| Maximum Raw Data Rate         | 1 Mbit/s  |
| Maximum Application Data Rate | 0.27 Mbit/s   |
| Modulation Type               | DSSS: GFSK (modulation index = 0.5)                                     |
| Maximum RF Input              | -10 dBm   |
| Typical Receive Sensitivity   | -94 dBm   |
| Maximum RF Tx Output Power    | +4 dBm  |
| Carrier Frequency Accuracy    | ±20 ppm (24 MHz crystal, ±20 ppm stability @ 25°C)                      |

### 4.2 Receiver Specifications

Table 8. Receiver Performance Specifications

| Parameter             | Condition/Notes                             | Min. | Typical | Max. | Unit |
|-----------------------|---|------|---------|------|------|
| Frequency Range       | –   | 2402 | –       | 2480 | MHz  |
| Operating Temperature | –   | -30  | –       | +85  | °C   |
| Receive Sensitivity   | <i>200 x 37-byte packets with 30.8% PER</i> | –    | -94     | –    | dBm  |
| Maximum Receive Level |   | -10  | –       | –    | dBm  |

## 4.3 Transmitter Specifications

**Table 9. Transmitter Performance Specifications**

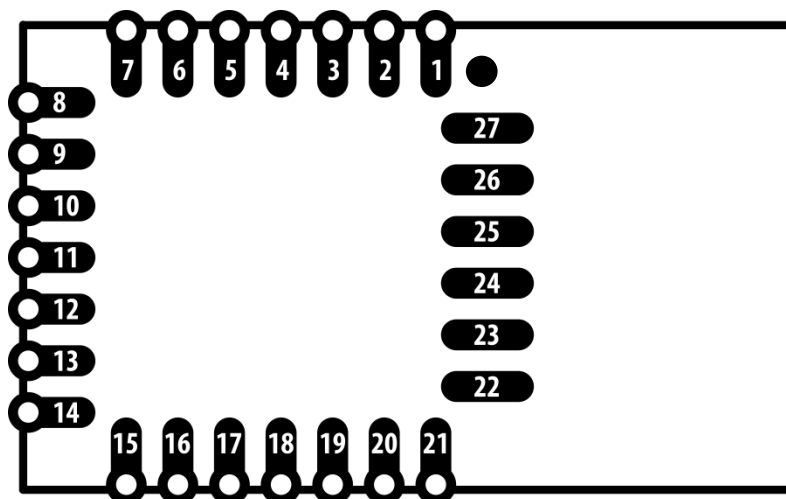
| Parameter                   | Condition/Notes                 | Min  | Typical | Max  | Unit |
|-----------------------------|---------------------------------|------|---------|------|------|
| Frequency Range             | –                               | 2402 | –       | 2480 | MHz  |
| Operating Temperature       | –                               | -30  | –       | +85  | °C   |
| Transmit power <sup>2</sup> | –                               | –    | 4.0     | –    | dBm  |
| Transmit power variation    | Process dependent               | –    | 2.0     | –    |      |
| Transmit Power Range        | Adjustable via software control | -20  |         | 4    | dBm  |
| Channel Spacing             |                                 | –    | 2       | –    | MHz  |

## 5 Pinout and Signal Descriptions

### 5.1 Pinout

A top view of the AMS00x pinout is depicted in Figure 2. All dimensions are in thousands of an inch. A recommended PCB footprint is provided in Section 6.1.

Figure 2. AMS00x Pinout (TOP View – Pins NOT visible from top!)



### 5.2 Pin Description

Table 10. AMS00x Pin Definitions

| Pin | Name                | Type <sup>1</sup> | Primary Function | Alternate & Other Function(s)      |
|-----|---------------------|-------------------|------------------|------------------------------------|
| 1   | GND                 | S                 | Ground           | -                                  |
| 2   | UART1_RX            | I/O               | UART1 Rx (Debug) | -                                  |
| 3   | UART1_TX            | I/O               | UART1 Tx (Debug) | -                                  |
| 4   | GPIO_0 <sup>3</sup> | I/O               | SPI1_MOSI        | I2C_SDA, UART0_CTS, GPIO           |
| 5   | GPIO_1 <sup>3</sup> | I/O               | SPI1_CLK         | I2C_SCL, UART0_RTS, GPIO           |
| 6   | GPIO_2              | I/O               | UART0_TX (User)  | SPI2_MOSI (M/S), IR_RX, ADC0, GPIO |
| 7   | GPIO_3              | I/O               | UART0_RTS (User) | SPI2_MISO (M/S), IR_TX, ADC1, GPIO |
| 8   | RESET_N             | I                 | System Reset     | -                                  |
| 9   | GPIO_4              | I/O               | UART0_CTS (User) | SPI2_CLK (M/S), GPIO               |
| 10  | GPIO_5              | I/O               | UART0_RX (User)  | SPI2_CS (M), SPI2_MOSI (M), GPIO   |
| 11  | GPIO_6              | I/O               | GPIO             | UART0_RX, SPI2_MOSI (M/S), IR_TX   |

| Pin   | Name                 | Type <sup>1</sup> | Primary Function | Alternate & Other Function(s)           |
|-------|----------------------|-------------------|------------------|---|
| 12    | GPIO_7               | I/O               | SPI1_MISO (M)    | UART0_TX, SPI2_CS (S), ADC2, ACLK0      |
| 13    | GPIO_8               | I/O               | GPIO             | UART0_RX, SPI2_MISO (M/S)               |
| 14    | GPIO_9               | I/O               | GPIO             | UART0_TX, SPI2_CLK (M/S), SPI1_MISO (M) |
| 15    | GPIO_10 <sup>4</sup> | I/O               | GPIO             | IR_TX, ADC3, PWM3                       |
| 16    | GPIO_11              | I/O               | GPIO             | SPI2_MOSI (M/S), ADC4, PWM2, IR_TX      |
| 17    | GPIO_12              | I/O               | GPIO             | ADC5, IR_RX                             |
| 18    | GPIO_13 <sup>4</sup> | I/O               | XOSC32_OUT       | SPI2_CS (S), ADC6, PWM0, GPIO           |
| 19    | GND                  | S                 | Ground           | -                                       |
| 20    | GPIO_14 <sup>4</sup> | I/O               | XOSC32K_IN       | ADC7, PWM1, GPIO                        |
| 21    | VDD                  | S                 | VDD              | -                                       |
| 22-27 | GND                  | S                 | Ground           | -                                       |

**Notes:**

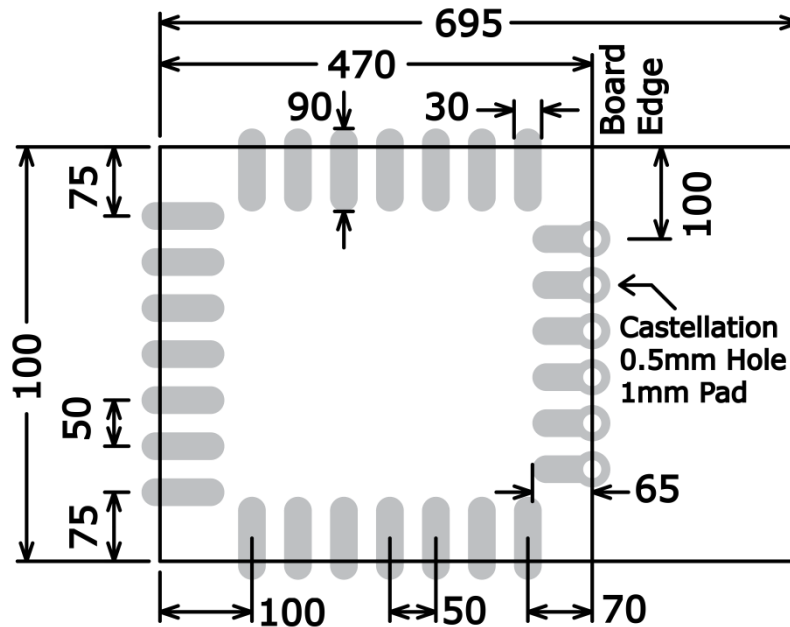
1. *I = Input, O = Output, S = Supply*
2. *All GPIO pins (except GPIO1, GPIO2) are initialized to 'input floating' after Power-on-Reset.*
3. *The drive strength of standard GPIOs is 2mA, the drive strength of this GPIO is 16mA.*

## 6 Design Guidelines

### 6.1 Recommended PCB Footprint

All dimensions in Figure 3 are in thousands of an inch unless otherwise marked.

Figure 3. AMS00x Recommended Footprint (Top)

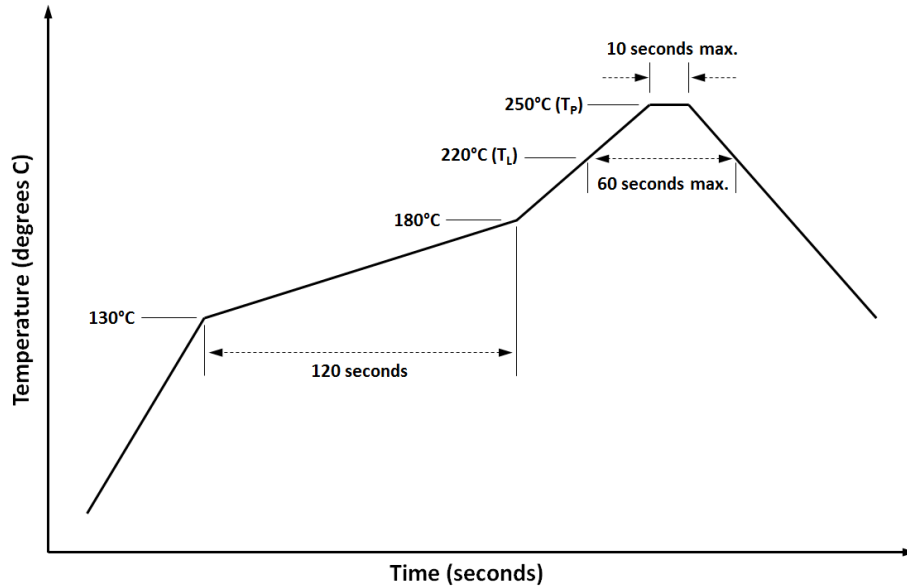


### 6.2 Routing Recommendations

When designing a carrier board, the addition of ground fill directly underneath the module, rather than signal or power traces, is strongly advised. All ground pads adjacent to antenna pins must be connected to a solid ground plane. Failure to comply with these recommendations will almost certainly result in degraded performance of the radio receiver and/or transmitter.

### 6.3 Soldering Information

Figure 4. Recommended solder reflow profile



### 6.4 AMS00x Photograph

Figure 5. AMS00x Photograph (Top)



### 6.5 Application Examples

TBD

#### 6.5.1 Operation using TruConnect

TBD

## 7 Regulatory Certification

The AMS00x family of modules has been certified for operation in various regulatory domains. This section outlines certification information specific to the following countries and regions:

- United States
- Canada
- Europe
- Australia
- New Zealand

Should you require regulatory certification for the AMS00x module in a country or region not listed, please contact your local ACKme Networks sales office or create a support request via our website at <http://ack.me/contact>.

### 7.1 United States

The ACKme Networks AMS-00x module has received Federal Communications Commission (FCC) CFR47 Telecommunications, Part 15 Sub-part C “Intentional Radiators” modular approval in accordance with Part 15.212 Modular Transmitter approval. Modular approval allows the end user to integrate the AMS-00x module into a finished product without obtaining subsequent and separate FCC approvals for intentional radiation, provided no changes or modifications are made to the module circuitry. Changes or modifications could void the user’s authority to operate the equipment. The end user must comply with all of the instructions provided by the Grantee which indicate installation and/or operating conditions necessary for compliance.

The finished product is required to comply with all applicable FCC equipment authorization, regulations, requirements, and equipment functions not associated with the transmitter module portion. For example, compliance must be demonstrated to regulations for other transmitter components within the host product; to requirements for unintentional radiators (Part 15 Sub-part B “Unintentional Radiators”), such as digital devices, computer peripherals, radio receivers, etc.; and to additional authorization requirements for non-transmitter functions on the transmitter module (i.e. Verification, or Declaration of Conformity) (e.g., transmitter modules may also contain digital logic functions) as appropriate.

#### 7.1.1 Labeling and User Information Requirements

The AMS-00x module has been labelled with a unique FCC ID number, and if the FCC ID is not visible when the module is installed inside another device, then the outside of the finished product into which the module is installed must also display a label referring to the enclosed module. This exterior label can use wording as follows:

Contains FCC ID: 2ABPY-BB4EA  
 This device complies with Part 15 of the FCC Rules. Operation is subject to the following two conditions: (1) this device may not cause harmful interference, and (2) this device must accept any interference received, including interference that may cause undesired operation.

The user manual for the product should include the following statement:

This equipment has been tested and found to comply with the limits for a Class B digital device, pursuant to part 15 of the FCC Rules. These limits are designed to provide reasonable protection against harmful interference in a residential installation. This equipment generates, uses and can radiate radio frequency energy and if not installed and used in accordance with the instructions, may cause harmful interference to radio communications. However, there is no guarantee that interference will not occur in a particular installation. If this equipment does cause harmful interference to radio or television reception, which can be determined by turning the equipment off and on, the user is encouraged to try to correct the interference by one or more of the following measures:

- Reorient or relocate the receiving antenna.
- Increase the separation between the equipment and receiver.
- Connect the equipment into an outlet on a circuit different from that to which the receiver is connected.
- Consult the dealer or an experienced radio/TV technician for help.

Additional information on labeling and user information requirements for Part 15 devices can be found in KDB Publication 784748 available at the FCC Office of Engineering and Technology (OET) Laboratory Division Knowledge Database (KDB) at the following website: <https://apps.fcc.gov/oetcf/kdb/index.cfm>

### 7.1.2 RF Exposure

All transmitters regulated by FCC must comply with RF exposure requirements. OET Bulletin 65, Evaluating Compliance with FCC Guidelines for Human Exposure to Radio Frequency Electromagnetic Fields, provides assistance in determining whether proposed or existing transmitting facilities, operations or devices comply with limits for human exposure to Radio Frequency (RF) fields adopted by the Federal Communications Commission (FCC). The bulletin offers guidelines and suggestions for evaluating compliance.

If appropriate, compliance with exposure guidelines for mobile and unlicensed devices can be accomplished by the use of warning labels and by providing users with information concerning minimum separation distances from transmitting structures and proper installation of antennas.

The following statement must be included as a CAUTION statement in manuals and OEM products to alert users of FCC RF exposure compliance:

To satisfy FCC RF Exposure requirements for mobile and base station transmission devices, a separation distance of 20 cm or more should be maintained between the antenna of this device and persons during operation. To ensure compliance, operation at closer than this distance is not recommended. The antenna(s) used for this transmitter must not be co-located or operating in conjunction with any other antenna or transmitter

If the AMS-00x module is used in a portable application (i.e., the antenna is less than 20 cm from persons during operation), the integrator is responsible for performing Specific Absorption Rate (SAR) testing in accordance with FCC rules 2.1091.

### 7.1.3 External Antenna

Modular approval in the United States is permitted with the use of the integrated antenna ONLY. If an external antenna is used with the AMS-00x module, additional testing of the end product is needed to meet FCC requirements.

### 7.1.4 Further Information

Additional information regarding FCC certification and use of the AMS-00x module in the United States is available from the following sources.

- Federal Communications Commission (FCC) <http://www.fcc.gov.au>
- FCC Office of Engineering and Technology (OET) Laboratory Division Knowledge Database (KDB) <http://apps.fcc.gov/oetcf/kdb/index.cfm>

## 7.2 Canada

The AMS-00x module has been certified for use in Canada under Industry Canada (IC) Radio Standards Specification (RSS) RSS-210 and RSSGen. Modular approval permits the installation of a module in a host device without the need to recertify the device.

### 7.2.1 Labeling and User Information Requirements

Labeling Requirements for the Host Device (from Section 3.2.1, RSS-Gen, Issue 3, December 2010): The host device shall be properly labeled to identify the module within the host device.

The Industry Canada certification label of a module shall be clearly visible at all times when installed in the host device, otherwise the host device must be labeled to display the Industry Canada certification number of the module, preceded by the words “Contains transmitter module”, or the word “Contains”, or similar wording expressing the same meaning, as follows:

Contains transmitter module IC: 11685A-61F8D

User Manual Notice for License-Exempt Radio Apparatus (from Section 7.1.3 RSS-Gen, Issue 3, December 2010): User manuals for license-exempt radio appa-



ratus shall contain the following or equivalent notice in a conspicuous location in the user manual or alternatively on the device or both:

This device complies with Industry Canada license-exempt RSS standard(s). Operation is subject to the following two conditions: (1) this device may not cause interference, and (2) this device must accept any interference, including interference that may cause undesired operation of the device.

Le présent appareil est conforme aux CNR d'Industrie Canada applicables aux appareils radio exempts de licence. L'exploitation est autorisée aux deux conditions suivantes: (1) l'appareil ne doit pas produire de brouillage, et (2) l'utilisateur de l'appareil doit accepter tout brouillage radioélectrique subi, même si le brouillage est susceptible d'en compromettre le fonctionnement.

Transmitter Antenna Notification (from Section 7.1.2 RSS-Gen, Issue 3, December 2010): User manuals for transmitters shall display the following notice in a conspicuous location:

Under Industry Canada regulations, this radio transmitter may only operate using an antenna of a type and maximum (or lesser) gain approved for the transmitter by Industry Canada. To reduce potential radio interference to other users, the antenna type and its gain should be so chosen that the equivalent isotropically radiated power (EIRP) is not more than that necessary for successful communication.

Conformément à la réglementation d'Industrie Canada, le présent émetteur radio peut fonctionner avec une antenne d'un type et d'un gain maximal (ou inférieur) approuvé pour l'émetteur par Industrie Canada. Dans le but de réduire les risques de brouillage radioélectrique à l'intention des autres utilisateurs, il faut choisir le type d'antenne et son gain de sorte que la puissance isotrope rayonnée équivalente (p.i.r.e.) ne dépasse pas l'intensité nécessaire à l'établissement d'une communication satisfaisante.

The above notice may be affixed to the device instead of displayed in the user manual.

User manuals for transmitters equipped with detachable antennas shall also contain the following notice in a conspicuous location:

This radio transmitter (identify the device by certification number, or model number if Category II) has been approved by Industry Canada to operate with the antenna types listed below with the maximum permissible gain and required antenna impedance for each antenna type indicated. Antenna types not included in this list, having a gain greater than the maximum gain indicated for that type, are strictly prohibited for use with this device.

Le présent émetteur radio (identifier le dispositif par son numéro de certification ou son numéro de modèle s'il fait partie du matériel de catégorie I) a été approuvé par Industrie Canada pour fonctionner avec les types d'antenne énumérés ci-dessous et ayant un gain admissible maximal et l'impédance requise pour chaque type d'antenne. Les types d'antenne non inclus dans cette liste, ou dont le gain est supérieur au gain maximal indiqué, sont strictement interdits pour l'exploitation de l'émetteur.

Immediately following the above notice, the manufacturer shall provide a list of all antenna types approved for use with the transmitter, indicating the maximum permissible antenna gain (in dBi) and required impedance for each.

## 7.2.2 External Antenna Types

Transmitter Antenna (from Section 7.1.2 RSS-Gen, Issue 3, December 2010):

The AMS-00x module can only be operated with the on-board antenna with which it was approved without additional testing.

If an external antenna is used with the AMS-00x module, additional testing of the end product is needed to meet IC requirements as described in the previous section.

## 7.2.3 Further Information

Additional information may be obtained from the Industry Canada website at <http://www.ic.gc.ca>

## 7.3 Europe

The AMS-00x module is an R&TTE Directive assessed radio module that is CE marked and has been manufactured and tested with the intention of being integrated into a final product.

The AMS-00x module has been tested to R&TTE Directive 1999/5/EC Essential Requirements for Health and Safety Article 3.1(a), Electromagnetic Compatibility (EMC) Article 3.1(b), and Radio Article 3.2 and the results are summarized in Table 11. A Notified Body Opinion has also been issued. All AMS-00x test reports are available on the ACKme Networks website at <http://ack.me/contact>.

The R&TTE Compliance Association provides guidance on modular devices in the document titled Technical Guidance Note 01 available on the website at [http://www.rtteca.com/html/download\\_area.htm](http://www.rtteca.com/html/download_area.htm).

**NOTE:** To maintain conformance to the testing listed in Table 11, the module shall be installed in accordance with the installation instructions in this data sheet and shall not be modified.

When integrating a radio module into a completed product the integrator becomes the manufacturer of the final product and is therefore responsible for demonstrating compliance of the final product with the essential requirements of the R&TTE Directive.

### 7.3.1 Labeling and User Information Requirements

The label on the final product which contains the AMS-00x module must follow CE marking requirements. The R&TTE Compliance Association Technical Guidance Note 01 provides guidance on final product CE marking

### 7.3.1 External Antenna Requirements

From R&TTE Compliance Association document Technical Guidance Note 01:

Provided the integrator installing an assessed radio module with an integral or specific antenna and installed in conformance with the radio module manufacturer's installation instructions requires no further evaluation under Article 3.2 of the R&TTE Directive and does not require further involvement of an R&TTE Directive Notified Body for the final product. [Section 2.2.4]

The European Compliance Testing listed in Table 11 was performed using the AMS-00x on-board antenna.

### 7.3.2 Further Information

A document that can be used as a starting point in understanding the use of Short Range Devices (SRD) in Europe is the European Radio Communications Committee (ERC) Recommendation 70-03 E, which can be downloaded from the European Radio Communications Office (ERO) at: <http://www.ero.dk>.

Further information may be obtained from the following websites:

- Radio and Telecommunications Terminal Equipment (R&TTE)  
[http://ec.europa.eu/enterprise/rtte/index\\_en.htm](http://ec.europa.eu/enterprise/rtte/index_en.htm)
- European Conference of Postal and Telecommunications Administrations (CEPT)  
<http://www.cept.org>
- European Telecommunications Standards Institute (ETSI)  
<http://www.etsi.org>
- European Radio Communications Office (ERO)  
<http://www.ero.dk>
- The Radio and Telecommunications Terminal Equipment Compliance Association (R&TTE CA)  
<http://www.rtteca.com/>

## 7.4 Australia

Australian radio regulations do not provide a modular approval policy similar to the United States (FCC) and Canada (IC). However, AMS-00x module test reports may be used in part to demonstrate compliance in accordance with ACMA Radio communications “Short Range Devices” Standard 2004 which references Australia/New Zealand industry standard AS/NZS-4268:2012. AMS-00x RF transmitter test reports may be used as part of the product certification and compliance folder. For further information regarding the availability of RF test reports, please contact ACKme Networks via our website at <http://ack.me/contact>.

### 7.4.1 External Antenna Requirements

The compliance test reports provided in Table 11 were performed using the AMS-00x on-board antenna. If an external antenna is used with the AMS-00x module, additional testing of the end product is needed to meet Australian regulatory requirements.

### 7.4.2 Further Information

Additional information may be obtained from the Australian Communications and Media Authority website at <http://www.acma.gov.au>.

## 7.5 New Zealand

New Zealand radio regulations do not provide a modular approval policy similar to the United States (FCC) and Canada (IC). However, AMS-00x module test reports may be used in part to demonstrate compliance with the New Zealand “General User Radio License for Short Range Devices”. New Zealand Radio communications (Radio Standards) Notice 2010 references Australia/New Zealand industry standard AS/NZS-4268:2012. AMS-00x RF transmitter test reports may be used as part of the product certification and compliance folder. For further information regarding the availability of RF test reports, please contact ACKme Networks via our website at <http://ack.me/contact>.

### 7.5.1 External Antenna Requirements

The compliance test reports provided in Table 11 were performed using the AMS-00x on-board antenna. If an external antenna is used with the AMS-00x module, additional testing of the end product is needed to meet New Zealand regulatory requirements.

### 7.5.2 Further Information

Additional information may be obtained from the New Zealand Radio Spectrum Ministry of Economic Development website at <http://www.rsm.govt.nz>.

## 8 Packaging, Handling & Storage, RoHS

### 8.1 Packaging

AMS00x modules are shipped in a moisture resistant sealed bag. The shelf life of the sealed bag is 12 months at 40°C and <90% Relative Humidity (RH). Please refer to the bag seal date.

### 8.2 Handling & Storage



#### **CAUTION** **MSL3 Sensitive Device!**

AMS00x modules are moisture sensitive devices rated at Moisture Sensitive Level 3 (MSL3) per **IPC/JEDEC J-STD-20**.

After opening the moisture sealed storage bag, modules that will be subjected to reflow solder or other high temperature processes must be:

1. mounted to a circuit board within 168 hours at factory conditions ( $\leq 30^{\circ}\text{C}$  and <60% RH)

**OR**

2. continuously stored per **IPC/JEDEC J-STD-033**

Modules that have been exposed to moisture and environmental conditions exceeding packaging and storage conditions **MUST** be baked before mounting according to **IPC/JEDEC J-STD-033**.

Failure to meet packaging and storage conditions will result in irreparable damage to modules during solder reflow.

### 8.3 RoHS Directive

Each AMS00x module is produced according to the RoHS (Restriction of the use of certain Hazardous Substances in electrical and electronic equipment) directive and complies with the directive.

## 9 Ordering Information

AMS00x modules are available individually or in a bulk tray of TBD units as described in Table 12.

**Table 12. Ordering Information**

| Part Number | Description   |
|-------------|---|
| AMS001/S    | 1 x AMS001 module with TruConnect pre-installed. Each module is individually packaged in an ESD and MSL3-rated moisture sensitive bag.                          |
| AMS002/S    | 1 x AMS002 module with TruConnect pre-installed. Each module is individually packaged in an ESD and MSL3-rated moisture sensitive bag.                          |
| AMS001/T    | A single tray containing TBD x AMS001 modules, each with TruConnect pre-installed. The entire tray is packaged in an ESD and MSL3-rated moisture sensitive bag. |
| AMS002/T    | A single tray containing TBD x AMS002 modules, each with TruConnect pre-installed. The entire tray is packaged in an ESD and MSL3-rated moisture sensitive bag. |

## 10 Revision History & Glossary

### 10.1 Revision History

Table 13: Document Revision History

| Revision        | Date        | Change Description                 |
|-----------------|-------------|------------------------------------|
| ADS-MS00x-100D4 | 22-Oct-2014 | Section 7 Regulatory Certification |
|                 |             |                                    |
|                 |             |                                    |
|                 |             |                                    |
|                 |             |                                    |

### 10.2 Glossary

In most cases, acronyms and abbreviations are defined on first use. A comprehensive list of acronyms and other terms used in ACKme Networks documents are provided on the ACKme Networks website at <http://ack.me/FAQs/Glossary>.

ACKme reserves the right to make changes without further notice to any products or data herein to improve reliability, function, or design. Information furnished by ACKme is believed to be accurate and reliable. However, ACKme does not assume any liability arising out of the application or use of this information, nor the application or use of any product described herein, neither does it convey any license under its patent rights nor the rights of others.

---

## ACKme Networks

|                        |                    |
|------------------------|--------------------|
| US Headquarters:       | Australian Office: |
| 2 North Santa Cruz Ave | Level 21, Tower 2  |
| Suite #207             | 201 Sussex St      |
| Los Gatos CA 95030     | Sydney NSW 2000    |

© 2014 ACKme Networks Inc. All rights reserved.

ADS-MS00x-100D4 • Preliminary Data Sheet  
October 22, 2014

### Contact Information

+1 (408) 402 5708

<http://ack.me/contact>

