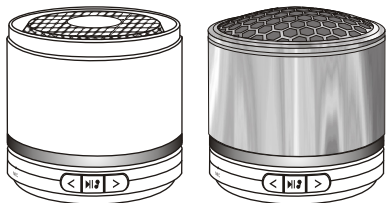


User Manual

Model: MX-288F

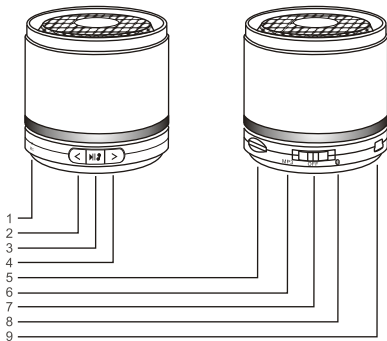
Bluetooth Mini speaker



Please read this manual carefully before use



Appearance description of function



1. Microphone
2. Short press to last music /long press to reduce volume
3. Play/pause
4. Short press to next music /long press to add volume
5. TF card port
6. Switch on the left to mp3 play mode
7. Switch
8. Switch on the right to bluetooth play mode
9. DC5V USB charging port

Product features

1. Using the newest Bluetooth chip 4.2 ,high compatibility ,clear sound ;
2. High fidelity stereo surround sound ,Simple and flexible control;
3. Built-in digital power amplifier , high engery efficiency ;
4. With multi audio formats ,FM,TF card, external signal, Bluetooth play ;
5. Barrier free Bluetooth transfer distance 10-20 meters;
6. Multi-audio play mode ,can use as tablet

Technical indicators

Output : 3W (RMS)

Horn size : 2" *1

Frequency response:30Hz~20KHz

SNR: ≥60dB

Input sensitivity: 600 ± 100mV

Distortion: ≤ 0.3% (1W 1KHz)

Product size: L60*W60*H54mm

Charging voltage: DC5V 1A

Play TF/Micro SD card

1. Follow TF/Micro SD card slot instruction, insert TF/Micro SD card which installed MP3 music format. red light flashes slowly .
2. With TF card,it'll play music automatically when power on .
3. Short press (Figure 2) for song forward, long press for low volume.
4. Short press (Figure 4) for song backward ,long press for high volume.
5. Short press (Figure 3) for pause / play; long press to exit TF/Micro SD playing mode.

FM Radio

1. Connect the 3.5mm line-in cable to speaker as an antenna.
2. Power on the unit, the red indication light is on, enter into FM radio. (it will enter to FM mode directly if no TF card is inserted.)
3. Short press (Figure 2) for low volume .
4. Short press (Figure 4) for high volume .
5. Short press (Figure 3) for pause / play; long press to exit FM mode.

Line-in mode

1. Connecting a device via 3.5mm line-in cable to external audio device.
2. Power on the unit, the indication light flashes blue, enter into FM radio;long press (Figure 3) button to enter intoline-in mode.
3. Short press (Figure 2) for low volume .
4. Short press (Figure 4) for high volume .
5. Short press (Figure 3) for pause/play; long press to exit Line-in mode.

Bluetooth connection instructions

1. Power on (Figure6),indicator light turns on, the red and blue light flash alternately, the Bluetooth is standby status ;
2. Open the Bluetooth of mobile phone, start to search, will show " Alien 007", press it to connect, the bluetooth indicator keeps blue light status , it means to be connected;
3. Short press \triangleright to add volume (Bluetooth connected);
4. Short press \square to pause/play, long press to mobile phone automatic dialing function, when have calling, short press to call and hang up the calling ;
5. Short press \triangleleft to reduce volume (Bluetooth connected);
6. In connected mode, speaker will connect automatically when power on in the 2nd time ;
7. If need connect with another phone , the last phone need to remove the pairing , then restart the speaker to operate as the first steps .

Simple maintenance

When you use this machine encountered the following problems, please refer to the following ways to solve. If there is still the treatment avoidance, please contact your local dealer or Betron service centre, do not repair yourself to prevent electrical accident or enlarge the scope of the fault.

1. when music is played staccato or silent, how to do?

Please confirm that the speaker is connected properly, if it is beyond the scope of the Bluetooth connection distance state.

2. why Bluetooth cannot connect, how to do?

Verify that Bluetooth is in standby status, turn off the power and restart, or connect another Bluetooth device. To check Bluetooth connection distance if beyond the state.

3. TF card player when no response, how to do?

Please confirm the TF card has no quality problem, check the TF card installed with Mp3format.

Safety warning

- * If the machine smokes suddenly or other unusual problems ,please pull out the power cord ,to avoid the accidents ,and call the local sellers or call the after sale service centre ;
- * If there is raining or moisture inside the machine ,please put the machine in ventilated place to dry ,Cannot use high-temperature drying the machine , otherwise it's easy to burn the components inside the machine ;
- * Donot put the machine in or near the naked flames,such as lighted candles ;
- * If donot use the machine long time , please pull out the power cord

Helpful hints

- *favorable to prolong the service life of the machine and to your health, please with long-term listening in a large volume of environment, So as not to damage your hearing.
- *Don't sound box placed in damp, high temperature, oil and other environment, avoid direct sunlight and rain.
- *please do not disassemble this product, so as to avoid the electric shock accident.

Packing list

The speaker,user manual,3.5mm audio cable+DC5V charging cable.

FCC Warning Statement

Changes or modifications not expressly approved by the party responsible for compliance could void the user's authority to operate the equipment. This equipment has been tested and found to comply with the limits for a Class B digital device, pursuant to Part 15 of the FCC Rules. These limits are designed to provide reasonable protection against harmful interference in a residential installation. This equipment generates uses and can radiate radio frequency energy and, if not installed and used in accordance with the instructions, may cause harmful interference to radio communications. However, there is no guarantee that interference will not occur in a particular installation. If this equipment does cause harmful interference to radio or television reception, which can be determined by turning the equipment off and on, the user is encouraged to try to correct the interference by one or more of the following measures:

- * Reorient or relocate the receiving antenna.
- * Increase the separation between the equipment and receiver.
- * Connect the equipment into an outlet on a circuit different from that to which the receiver is connected.

* Consult the dealer or an experienced radio/TV technician for help.