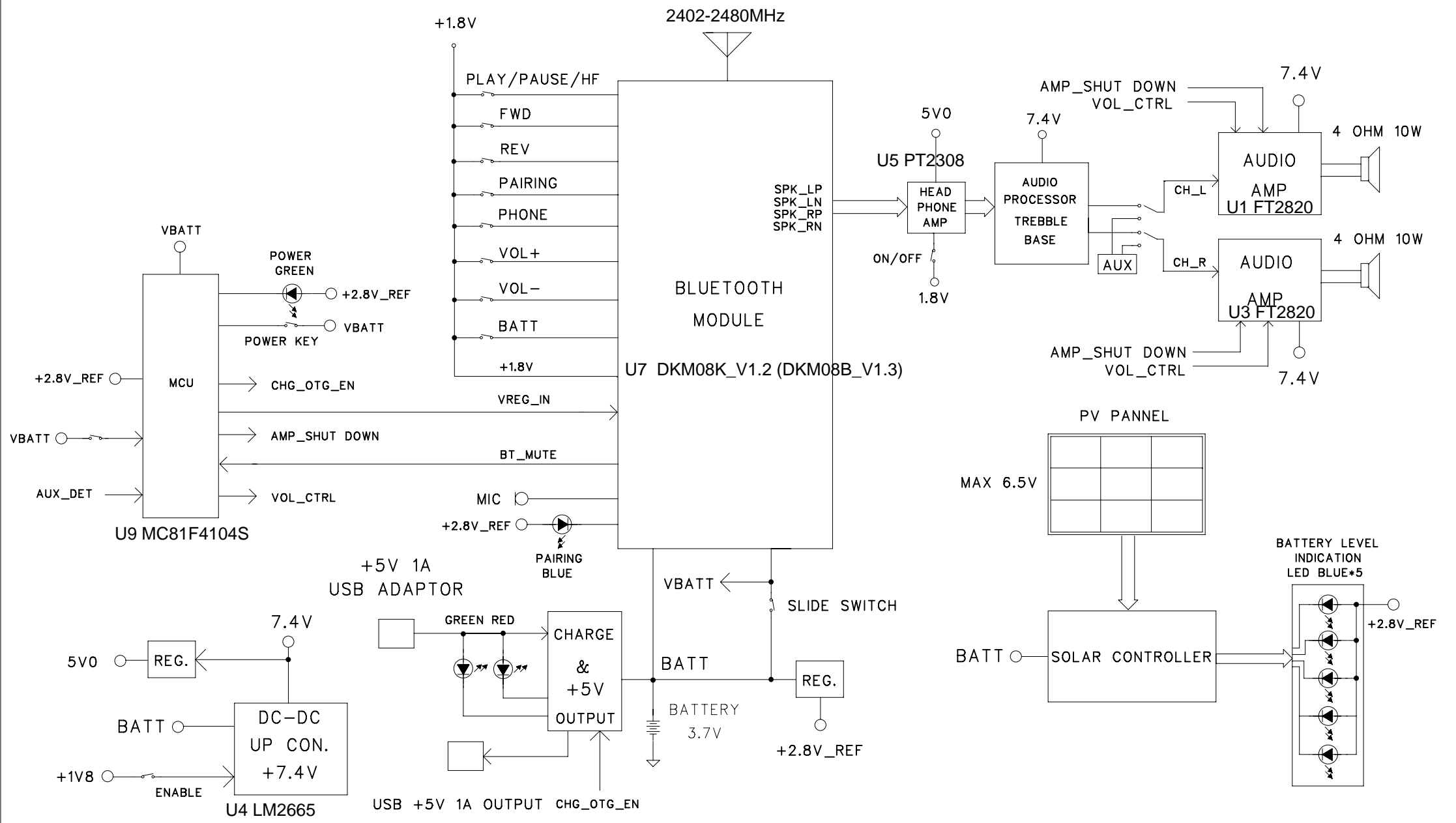


| DATE | DESCRIPTION |
|------|-------------|
|      |             |



| MODEL             | SOLJAM        |              |             |
|-------------------|---------------|--------------|-------------|
| TITLE             | BLOCK DIAGRAM | APPR. CHECK. |             |
| REV.              | 0             | DATE         | 16 MAY 2016 |
| NEO TELECOM CORP. | SHEET         | 1 OF 1       |             |

