

LUP011-BLK Gaming TWS Earbuds

USER MANUAL

Specifications

Bluetooth Range: Up to 33 feet (10 meters)

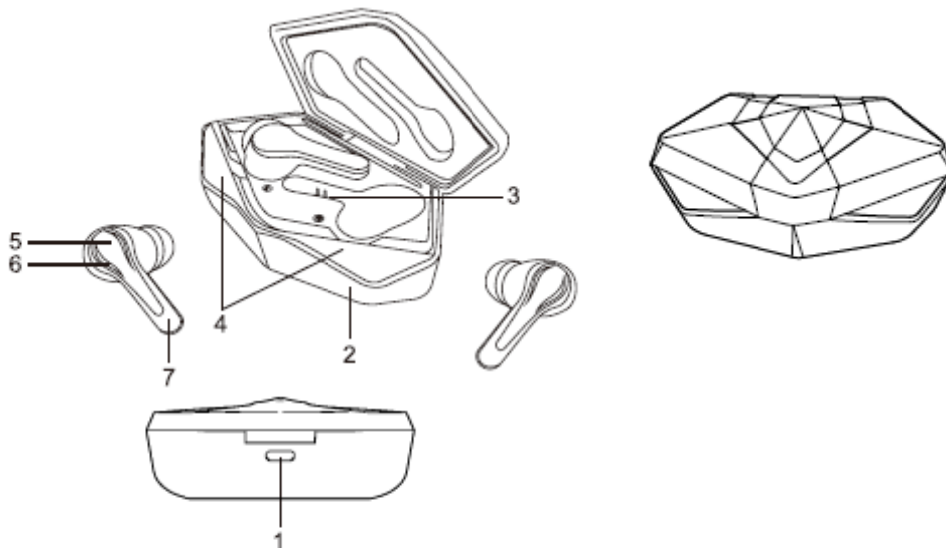
Charging Input: DC5V 1A max

Play Time: 6 Hours**

***Applicable at 50% of maximum volume. Results will be lower when volume is higher.*

A Quick Look

(product line drawing AI file attached on the email)



1	Charging Port
2	Charging Case
3	Charging Slot
4	Charging Case LED Indicator
5	Touch Control
6	Earbud LED Indicator
7	Built-In Microphone

5 is the touch control multi-function button

Charging

1. Insert the included charging cable's USB-C end into the port on the case.
2. Insert the charging cable's standard USB end into the USB port of a computer or suitable wall adapter (not included).
3. The LED Indicator will flash green when the case is charging and turn solid green when it is fully charged.

Bluetooth Pairing

1. Take out the earbuds from the case and they will turn on automatically.

**If the earbuds are out of the charging case, put them into the case and take out again to turn on.*

2. When in pairing mode, both earbud's indicator light will flash green.
3. On your phone, go to the Bluetooth page in the settings app. Make sure Bluetooth is on before connecting to the available device '011 gaming tws'.
4. Both earbud's LED Indicator will turn solid green once paired to your phone.

Using Your Earbuds

1. Press either earbud's Multi-function button to play and pause music.

2. Press the left earbud's Multi-function button three times to go back to the previous song.

3. Press the right earbud's Multi-function button three times to go to the next song.

4. Press either earbud's Multi-function button twice to activate Siri or Google Assistant.

5. Press either earbud's Multi-function button to answer and end a call.

6. Press and hold either earbud's Multi-function button for 3 seconds to reject an incoming call.

* TWS Earbuds can be used independently. One earbud can be used when the other is off, as long as connected to Bluetooth.

* To turn off the earbuds, press and hold the Multi-function button 5 seconds or put them back to the charging case.

FCC Statement

Changes or modifications not expressly approved by the party responsible for compliance could void the user's authority to operate the equipment.

This equipment has been tested and found to comply with the limits for a Class B digital device, pursuant to Part 15 of the FCC Rules. These limits are designed to provide reasonable protection against harmful interference in a residential installation. This equipment generates uses

and can radiate radio frequency energy and, if not installed and used in accordance with the instructions, may cause harmful interference to radio communications. However, there is no guarantee that interference will not occur in a particular installation. If this equipment does cause harmful interference to radio or television reception, which can be determined by turning the equipment off and on, the user is encouraged to try to correct the interference by one or more of the following measures:

- Reorient or relocate the receiving antenna.
- Increase the separation between the equipment and receiver.
- Connect the equipment into an outlet on a circuit different from that to which the receiver is connected.
- Consult the dealer or an experienced radio/TV technician for help

This device complies with part 15 of the FCC rules. Operation is subject to the following two conditions (1) this device may not cause harmful interference, and (2) this device must accept any interference received, including interference that may cause undesired operation.

FCC ID: 2AAPK-LUP011