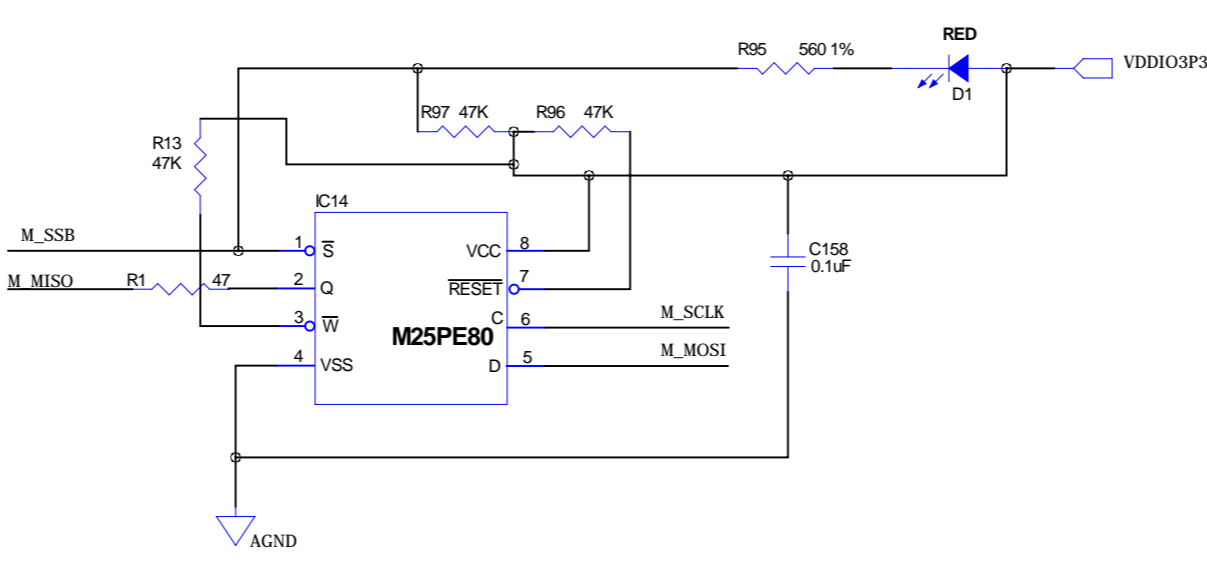
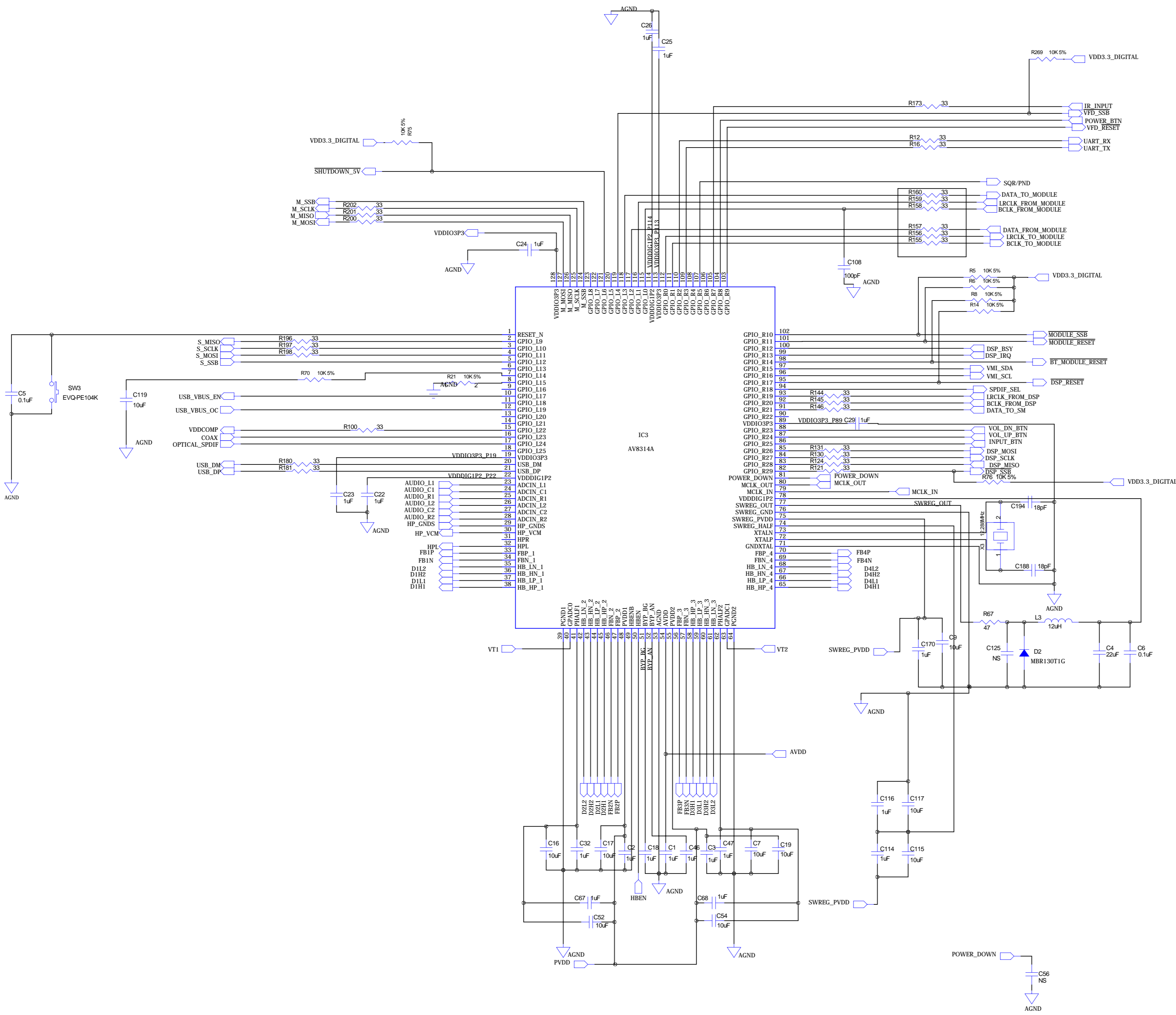
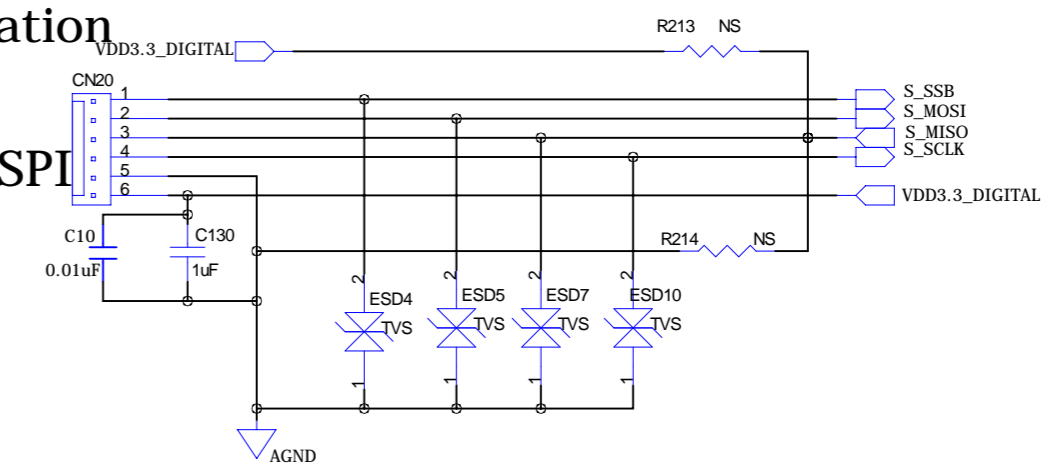


REVISION RECORD			
LTR	ECO NO:	APPROVED:	DATE:

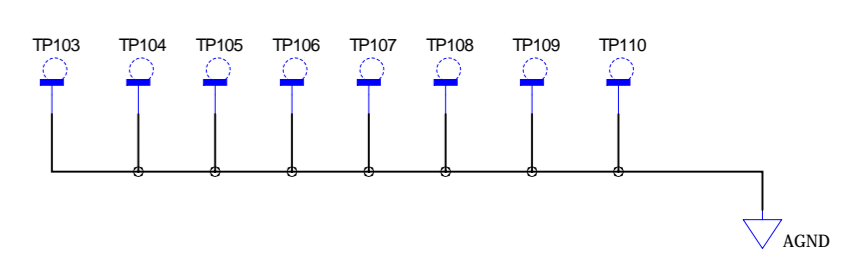


Note Pin 1 Orientation

JTAG to Slave SPI



Those parts do not stuff when using DSP
R155-160 and R84,R118



CONFIDENTIAL
Property of Avnera Corporation

COMPANY: AVNERA CORPORATION

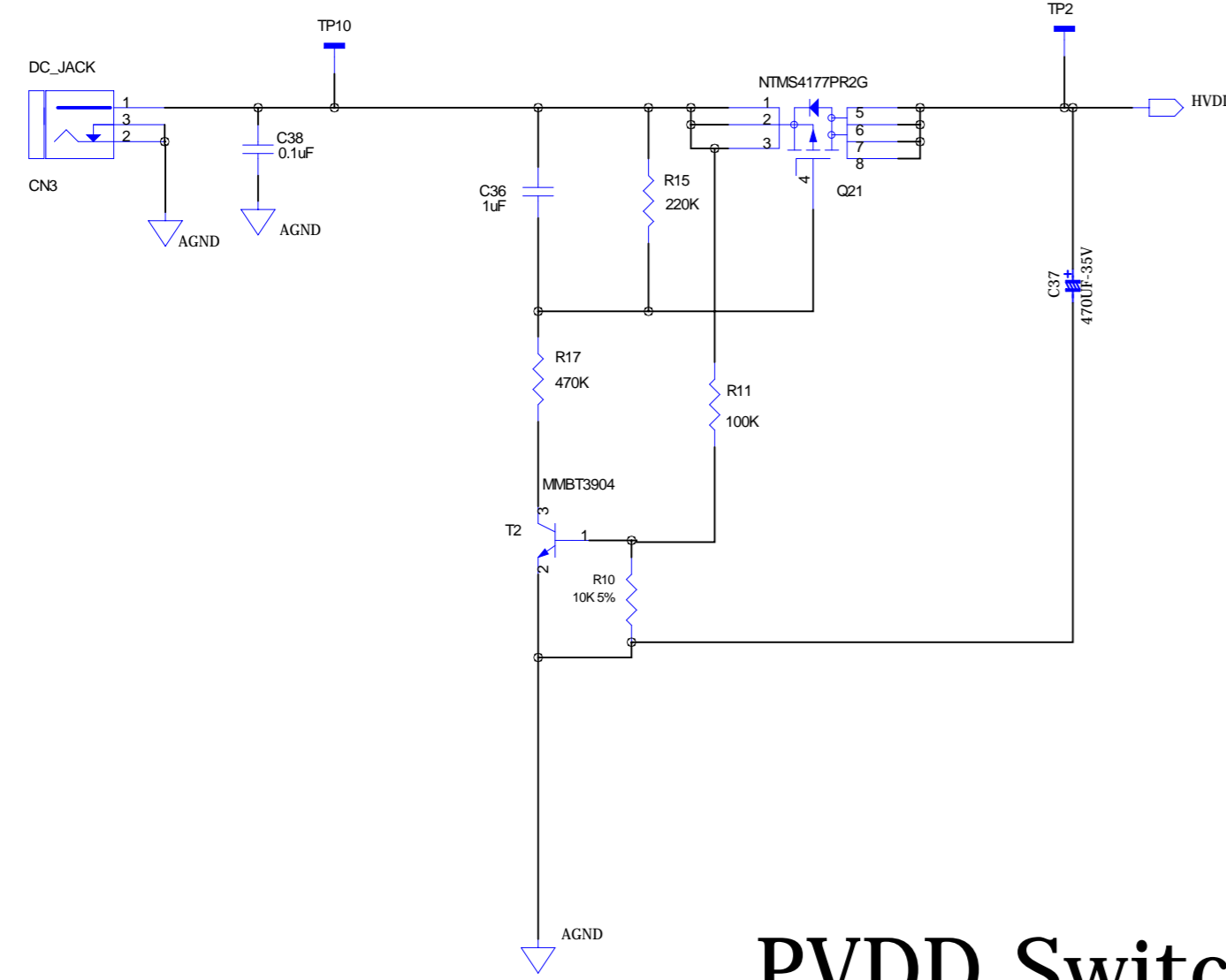
TITILE: Tambora 3

DRAWN: Giant	DATED: 2-28-2013	CODE: <Code>	SIZE: A1	DRAWING NO: AVRB8334-XXA	REV: A
CHECKED: <Checked By>	DATED: <Checked Date>	QUALITY CONTROL: <QC By>	DATED: <QC Date>	RELEASED: <Released By>	DATED: <Release Date>
SHEET: 1 of 6					

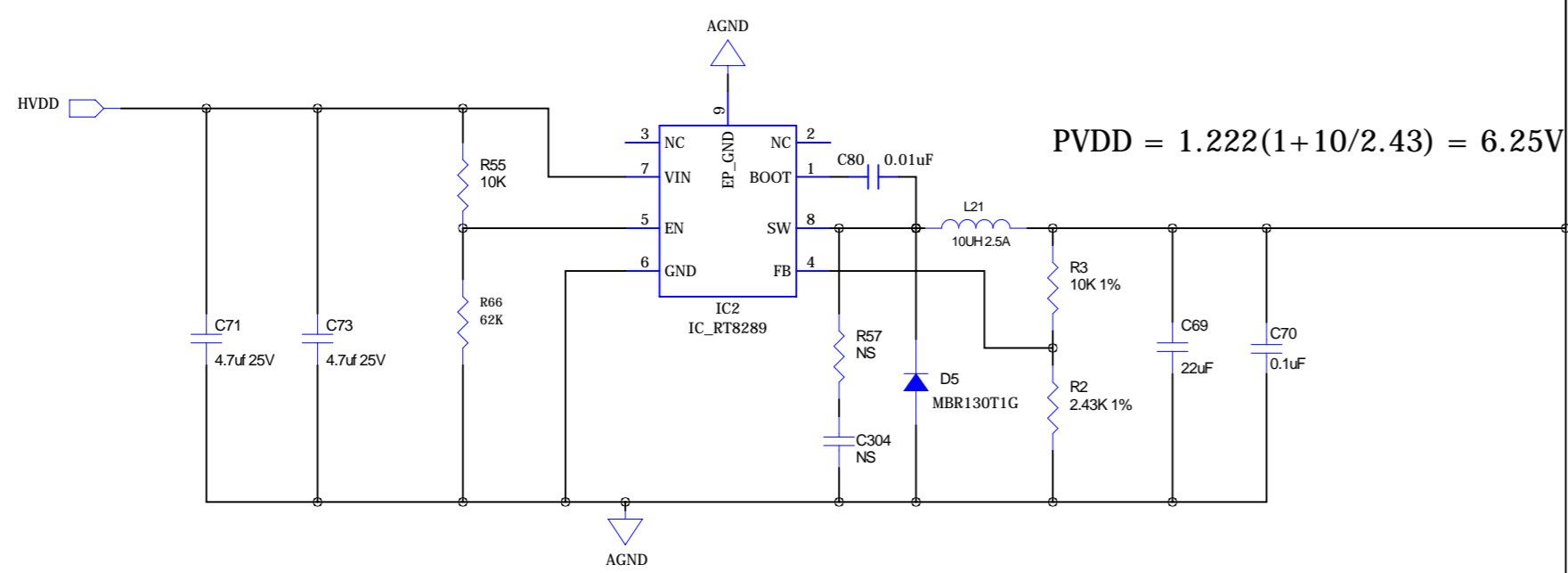
Power Supply

REVISION RECORD			
LTR	ECO NO.	APPROVED:	DATE:

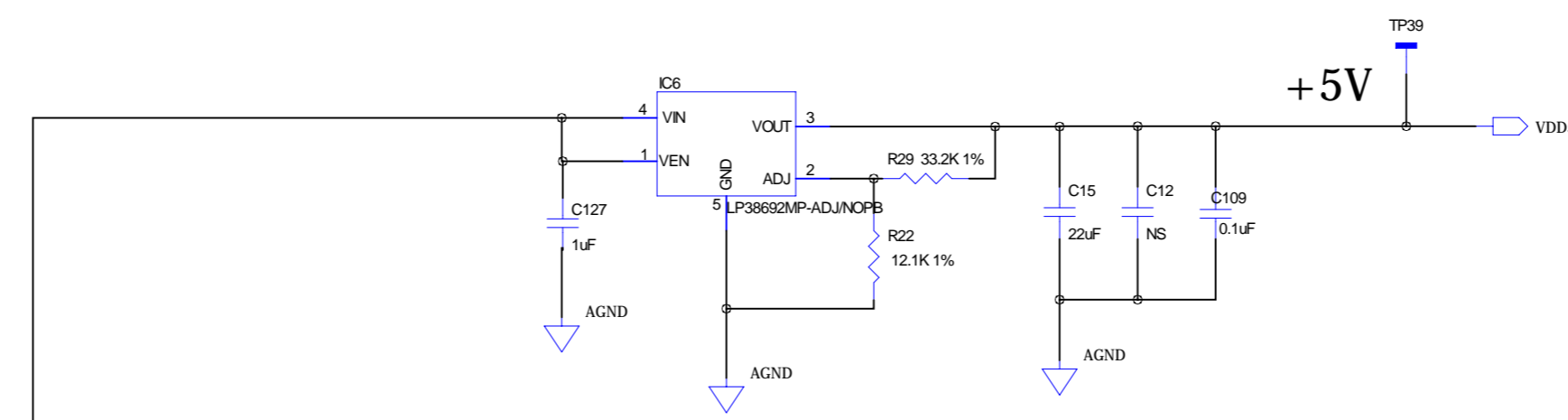
Input Soft Start



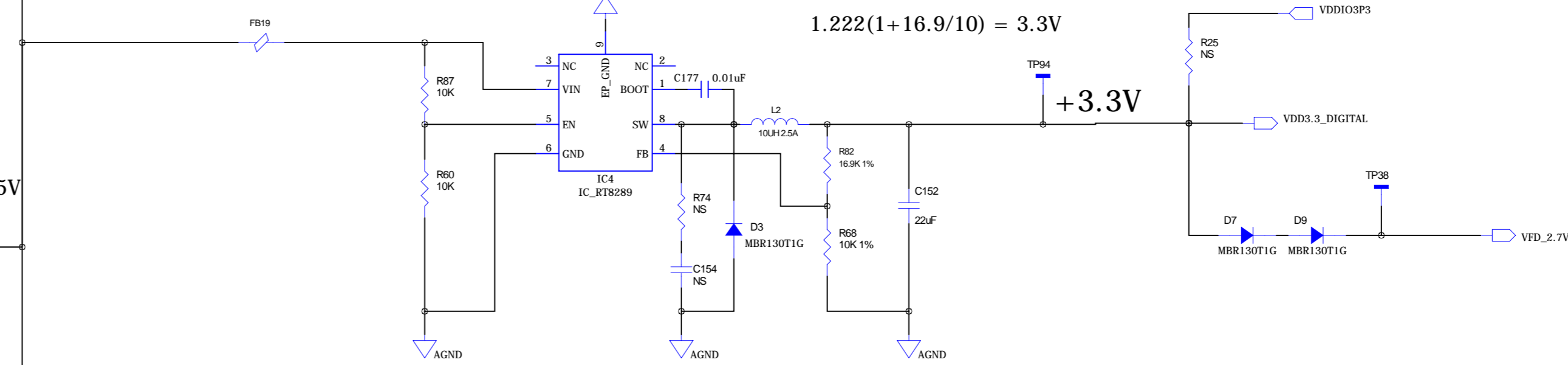
PVDD Switcher



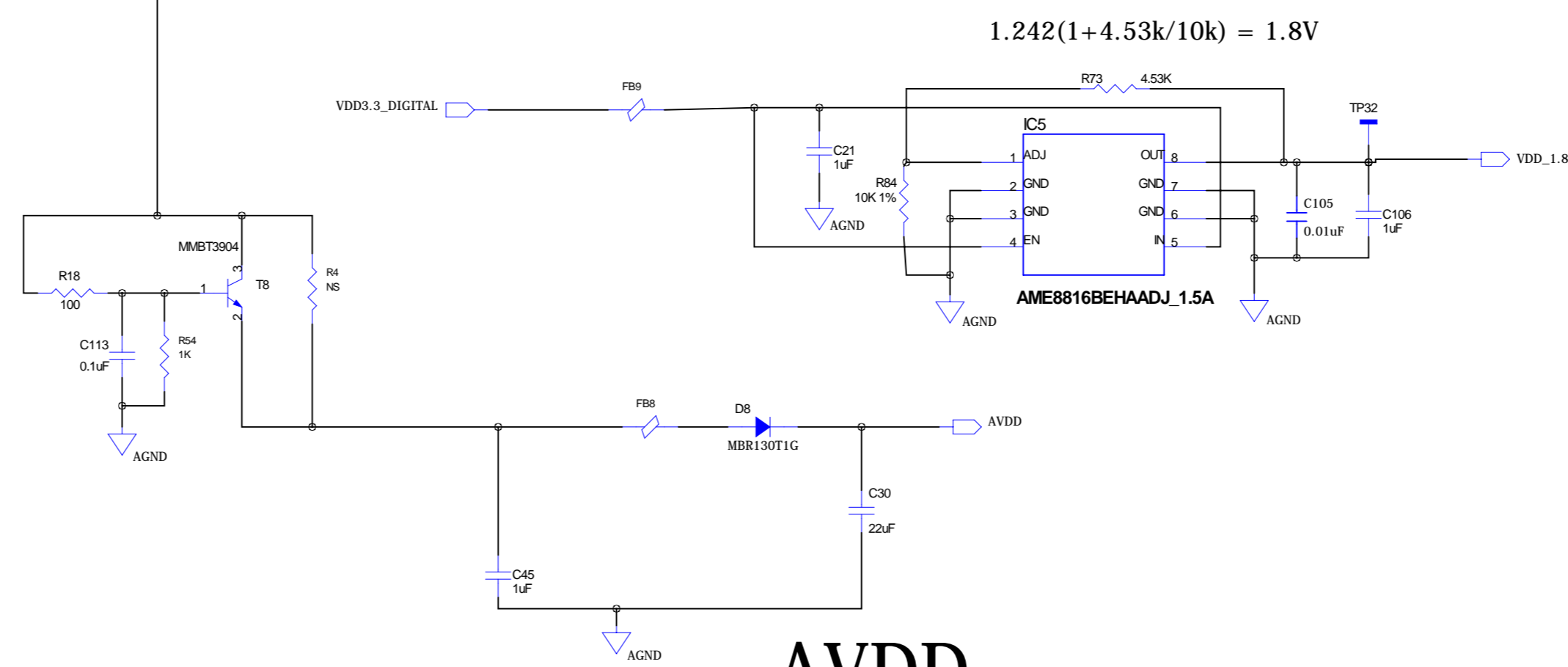
USB & AM2G/VMI 5V



Digital SW Regulator



VDD_1.8 Regulator



AVDD

CONFIDENTIAL
Property of Avnera Corporation

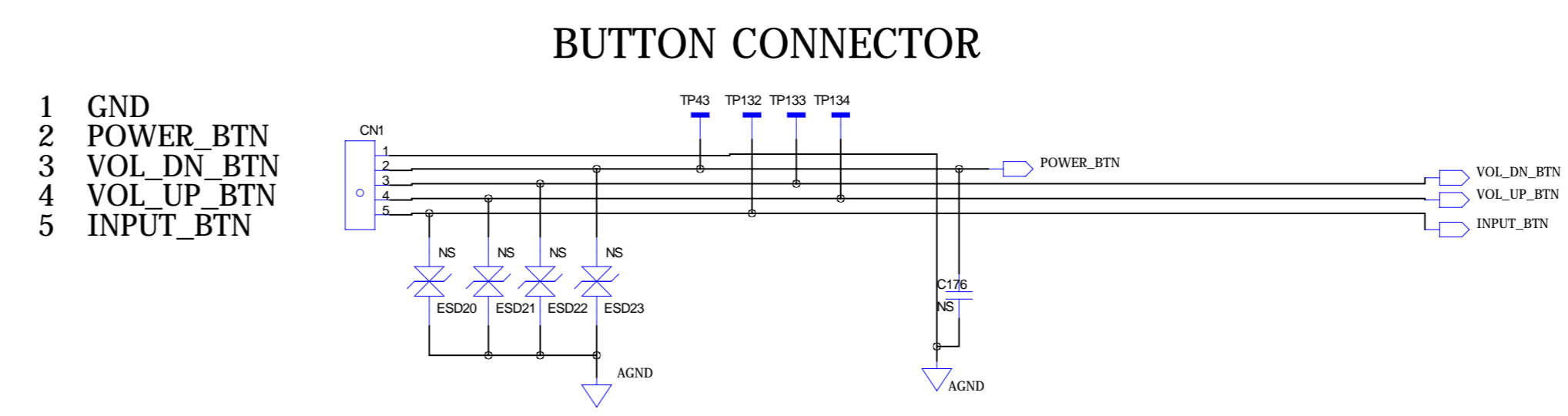
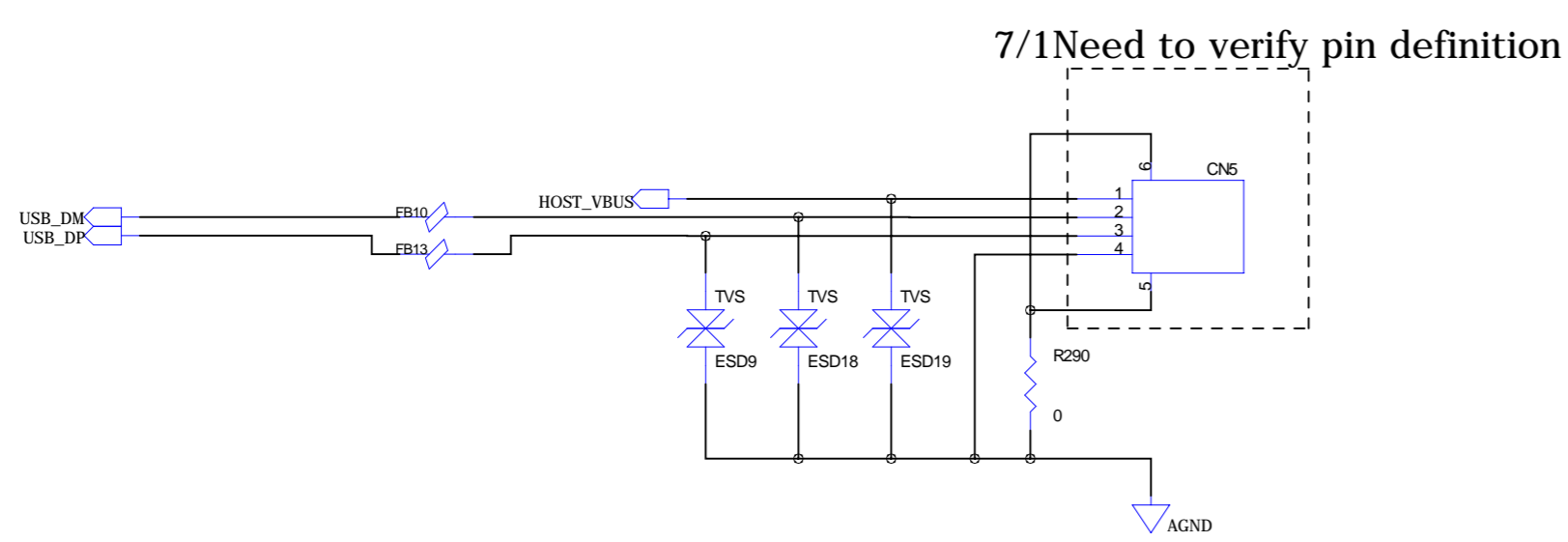
COMPANY: AVNERA CORPORATION			
TITLE: Tambora 3			
DRAWN: Giant	DATED: 2-28-2013	CODE:	SIZE: A1
CHECKED: <Checked By>	DATED: <Checked Date>	DRAWING NO: AVRB8334-XXA	REV: A
QUALITY CONTROL: <QC By>	DATED: <QC Date>	SCALE: <Scale>	SHEET: 2 of 6
RELEASED: <Released By>	DATED: <Release Date>		

Interface

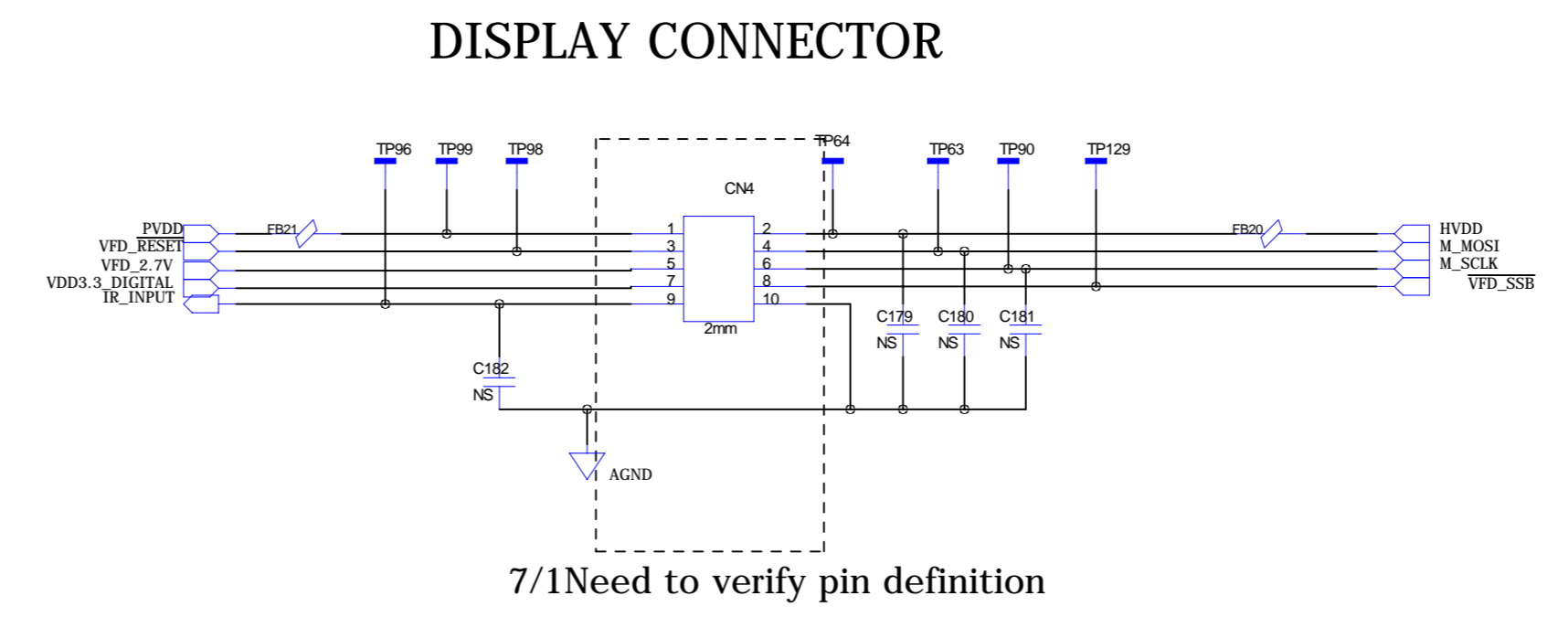
REVISION RECORD			
LTR	ECO NO.	APPROVED:	DATE:

INTERFACE

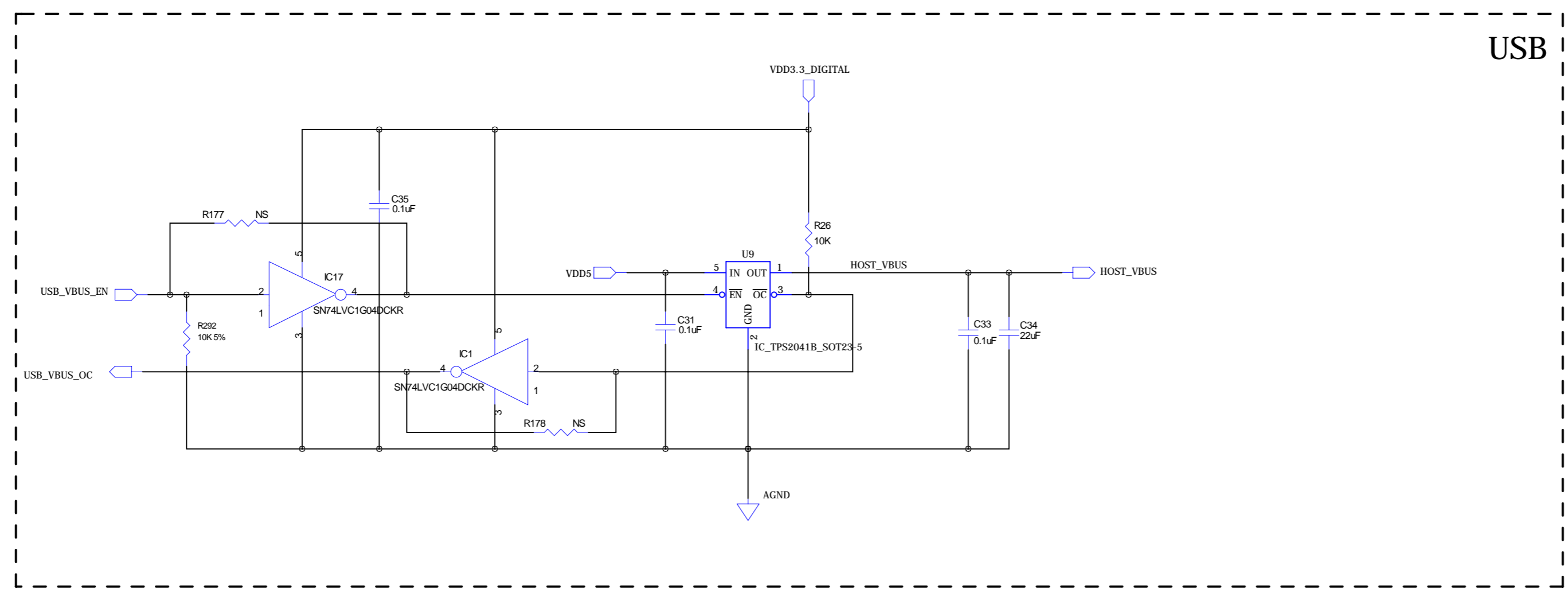
Tambora III- Ver.A



- 1 GND
- 2 POWER_BTN
- 3 VOL_DN_BTN
- 4 VOL_UP_BTN
- 5 INPUT_BTN



7/1Need to verify pin definition



COMPANY: AVNERA CORPORATION			
TITLE: Tambora 3			
DRAWN: Giant	DATED: 2-28-2013	CODE: <Code>	SIZE: A1
CHECKED: <Checked By>	DATED: <Checked Date>	DRAWING NO: AVR8334-XXA	REV: A
QUALITY CONTROL: <QC By>	DATED: <QC Date>	SCALE: <Scale>	SHEET: 3 of 6
RELEASED: <Released By>	DATED: <Release Date>		

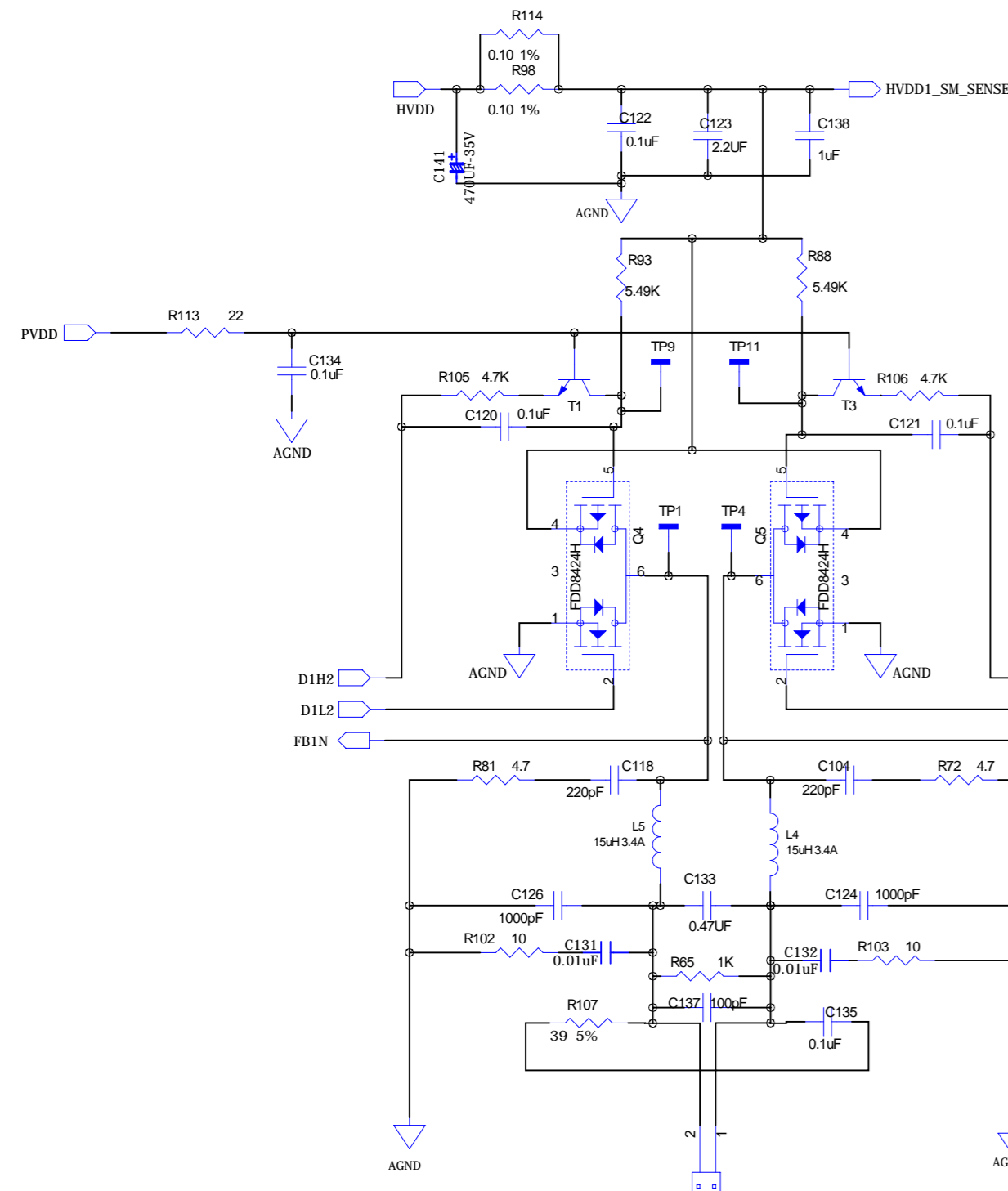
REVISION RECORD			
LTR	ECO NO:	APPROVED:	DATE:

HB1

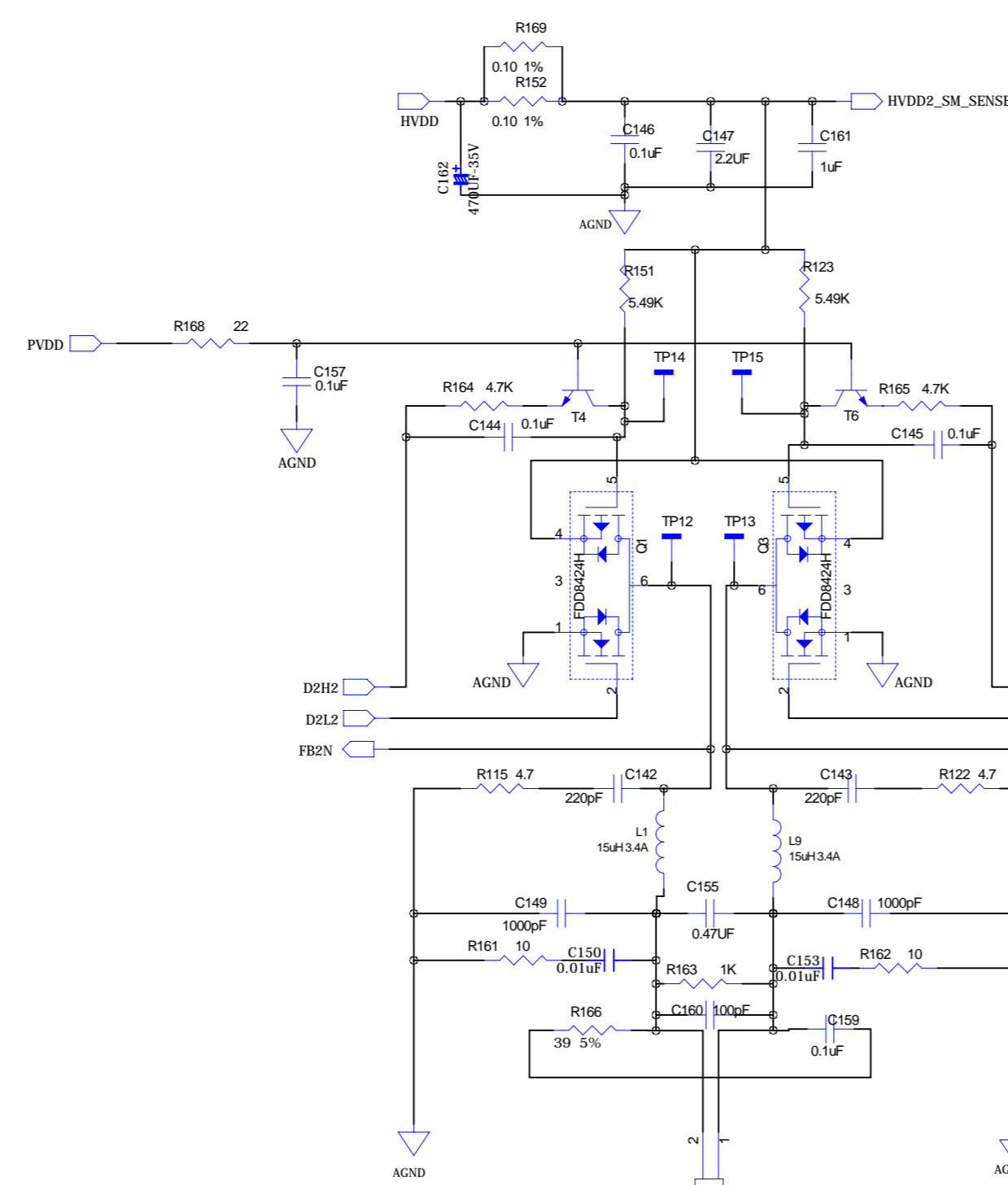
HB2

HB3

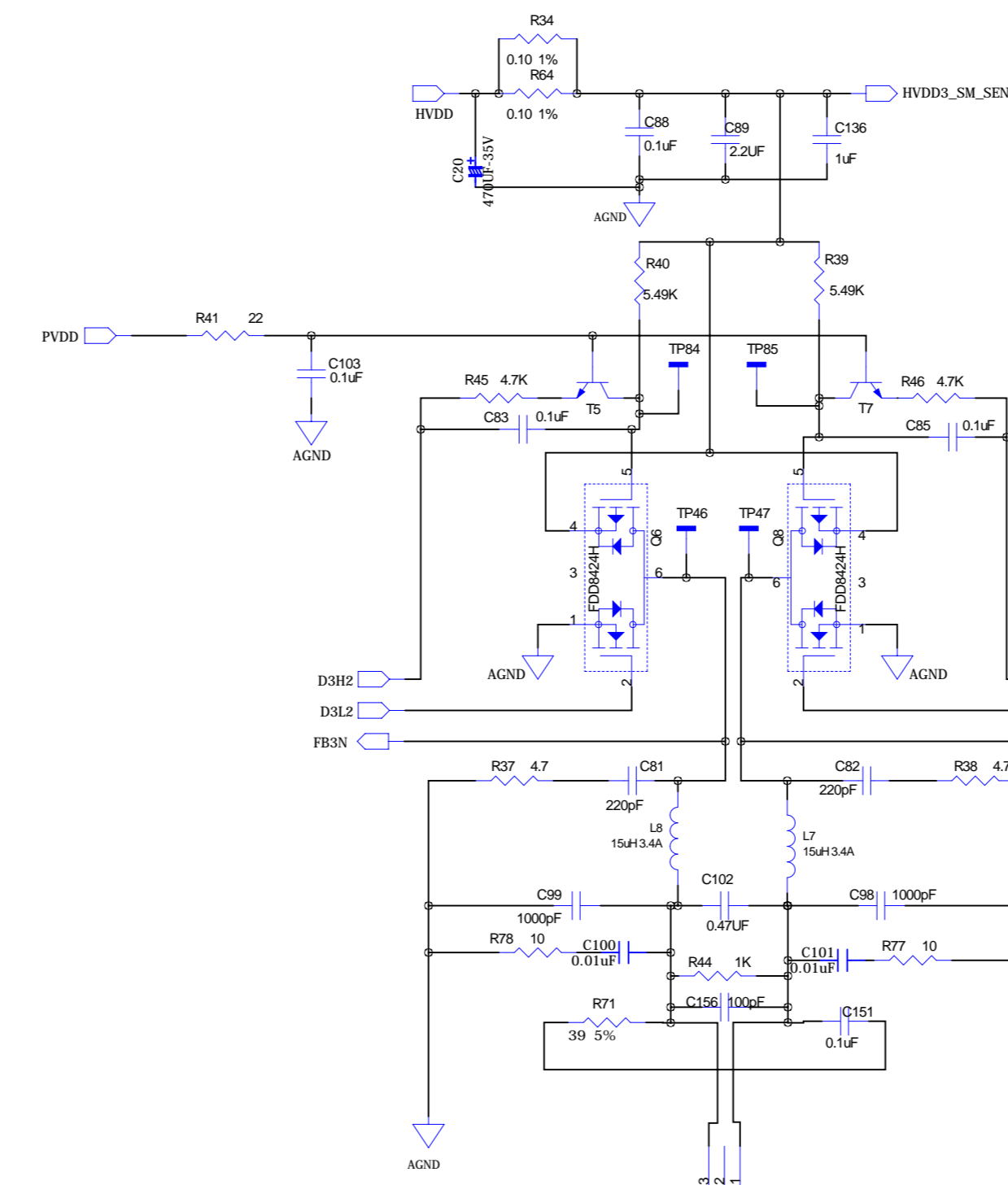
HB4



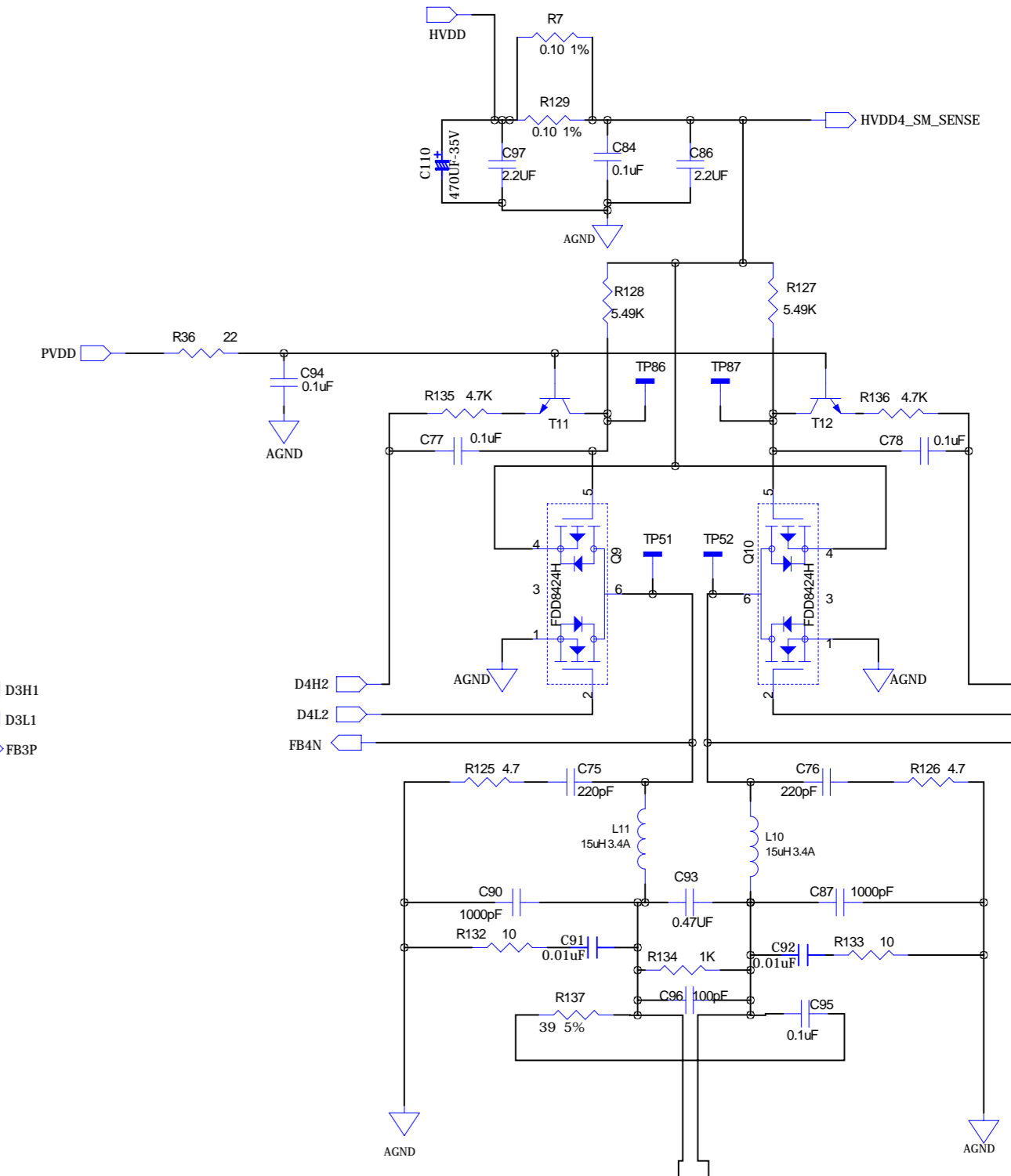
+ goes to pin 1



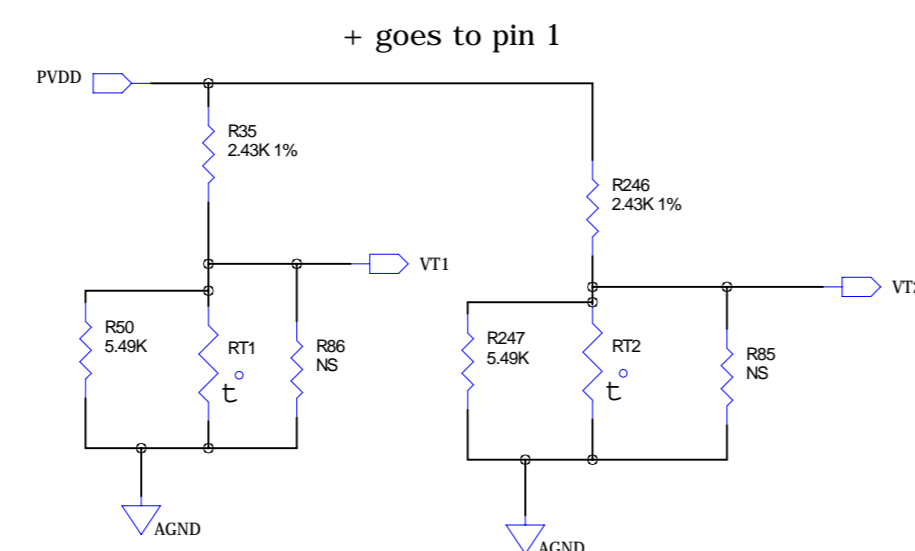
+ goes to pin 1



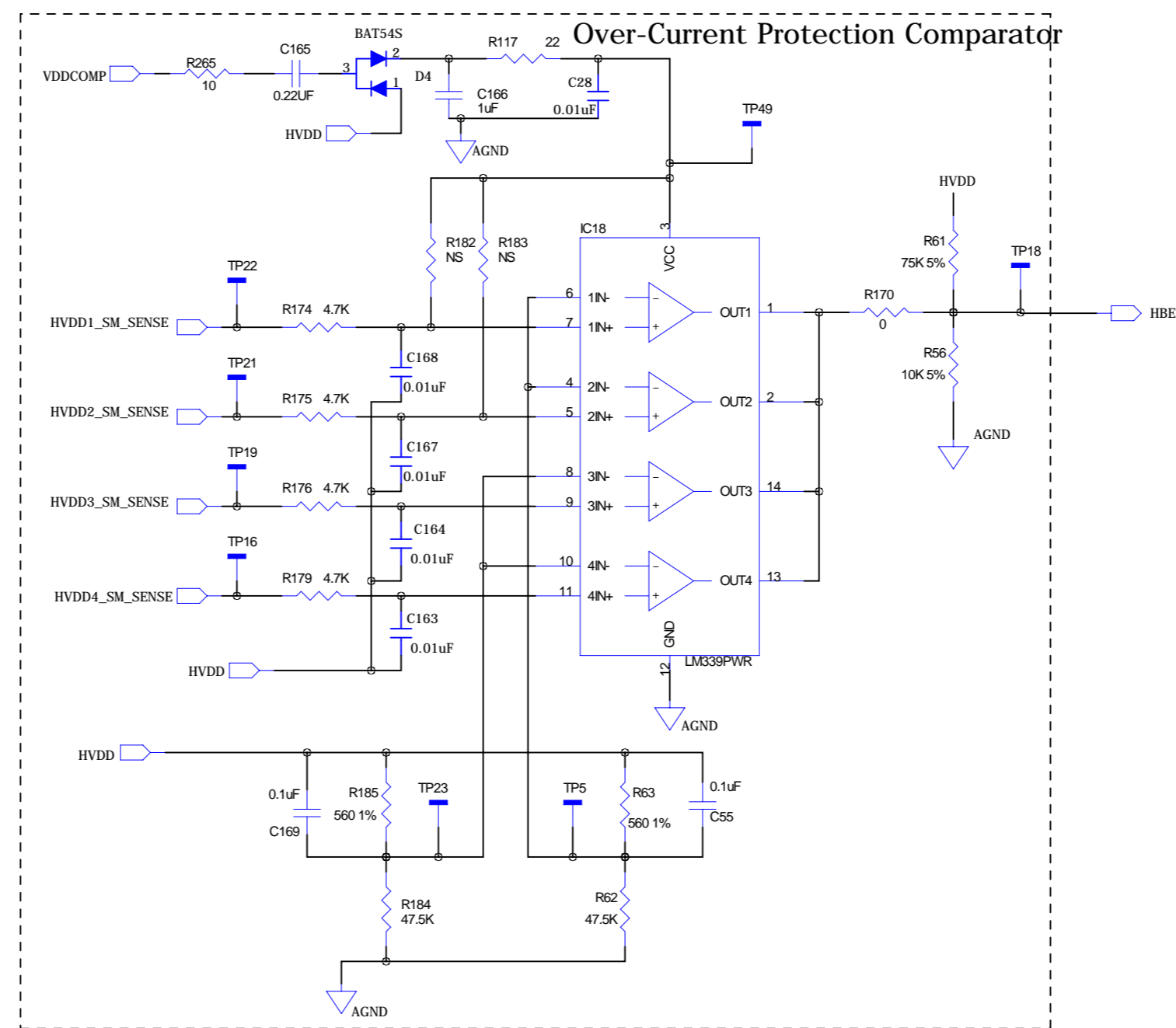
+ goes to pin 1



+ goes to pin 1



+ goes to pin 1



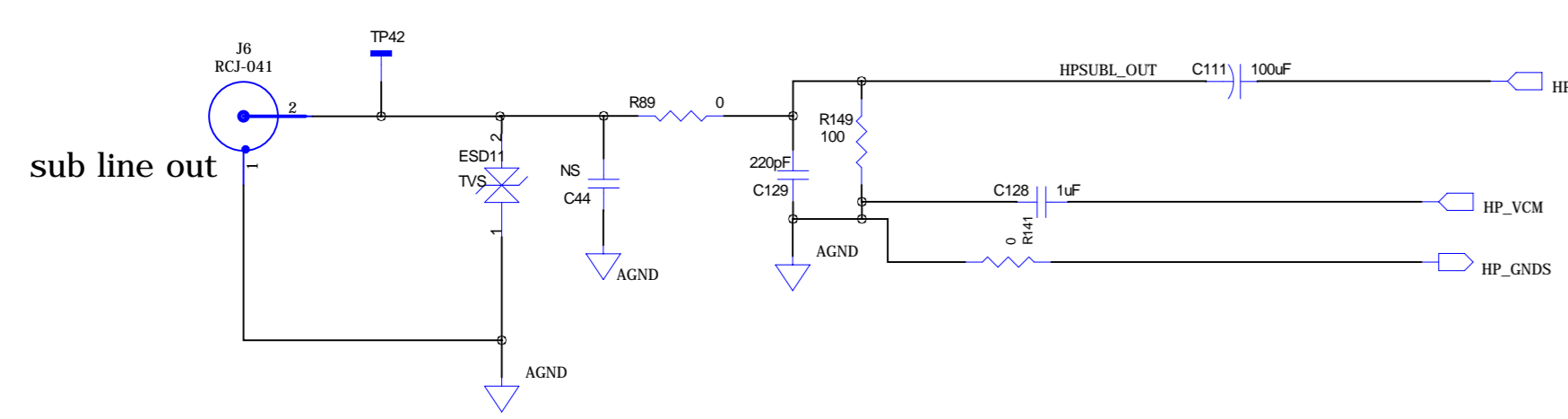
CONFIDENTIAL
Property of Avnera Corporation

COMPANY: AVNERA CORPORATION			
TITLE: Tambora 3			
DRAWN: Giant	DATED: 2-28-2013	CODE: <Code>	SIZE: A1
CHECKED: <Checked By>	DATED: <Checked Date>	DRAWING NO: AVR8334-XXA	REV: A
QUALITY CONTROL: <QC By>	DATED: <QC Date>	SCALE: <Scale>	
RELEASED: <Released By>	DATED: <Release Date>	SHEET: 40F 6	

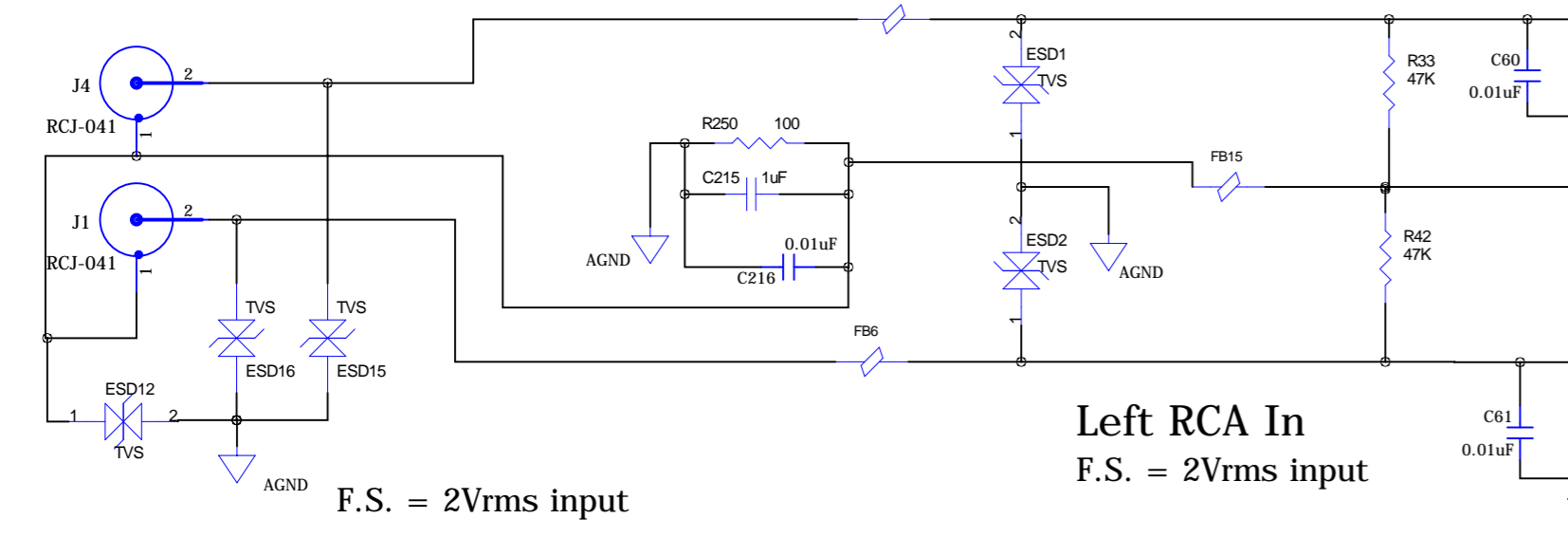
Audio Interface

REVISION RECORD			
LTR	ECO NO.	APPROVED:	DATE:

Line Sub Output

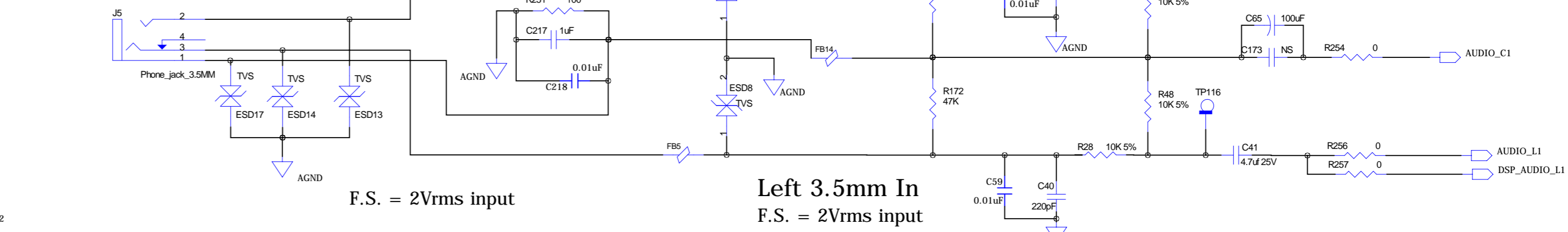


RCA Audio Input



3.5mm Audio Input

tip = left; ring = right

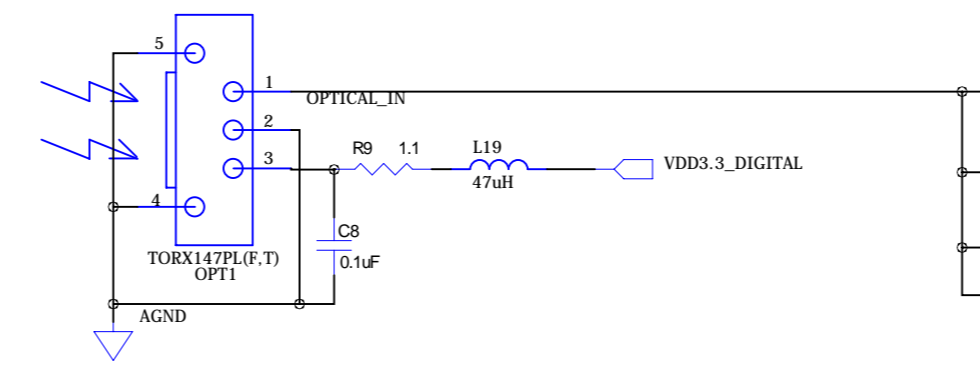


Right 3.5mm In

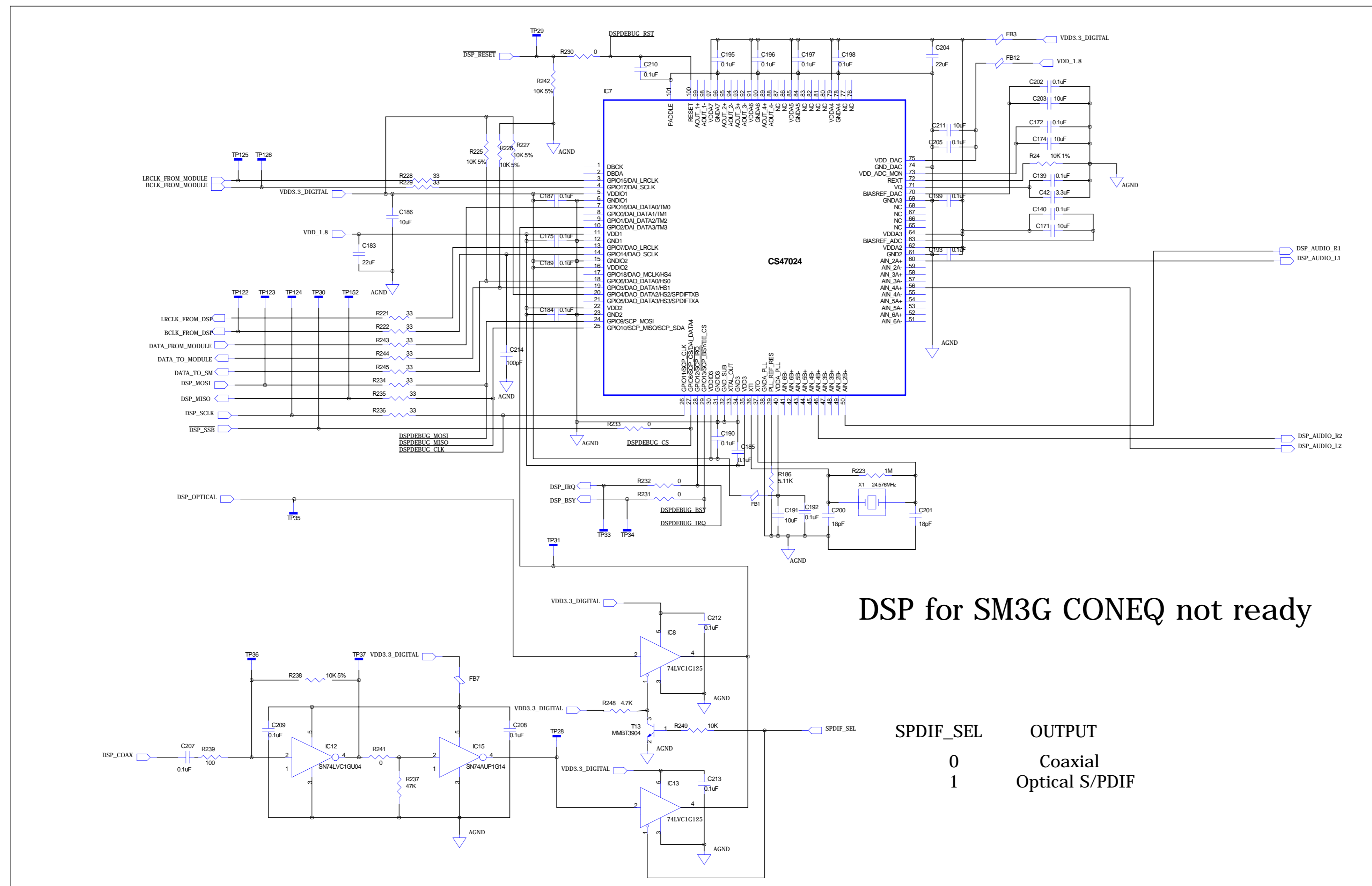
Left 3.5mm In

Optical In

Optical SPDIF Input



Coax In



DSP for SM3G CONEQ not ready

SPDIF_SEL
0 Coaxial
1 Optical S/PDIF

COMPANY: AVNERA CORPORATION			
TITLE: Tambora 3			
DRAWN: Giant	DATED: 2-28-2013	CODE:	SIZE:
CHECKED: <Checked By>	DATED: <Checked Date>	DRAWING NO: <Code>	REV: A
QUALITY CONTROL: <QC By>	DATED: <QC Date>	SCALE: <Scale>	SHEET: 5 of 6

