

# TEST REPORT

**Product** : 10 inch WIFI Digital Photo Frame  
**Trade mark** : N/A  
**Model/Type reference** : Skylight 2, D104S  
**Serial Number** : N/A  
**Report Number** : EED32K00312403  
**FCC ID** : 2AABK-SKYLIGHT2  
**Date of Issue** : Dec. 19, 2018  
**Test Standards** : 47 CFR Part 15 Subpart E  
**Test result** : PASS

Prepared for:

**Shenzhen Chuangwei Electronic Appliance Tech Co., Ltd.**  
**4F & 6F, Overseas plant south, Skyworth Industrial Park, Shiyan Street,**  
**Bao'an District, Shenzhen, P. R. China**

Prepared by:

**Centre Testing International Group Co., Ltd.**  
**Hongwei Industrial Zone, Bao'an 70 District,**  
**Shenzhen, Guangdong, China**  
**TEL: +86-755-3368 3668**  
**FAX: +86-755-3368 3385**

Tested by:

*Tom chen*

Tom chen

Compiled by:

*Peter*

Peter

Reviewed by:

*Ware Xin*

Ware Xin

Approved by:

*Kevin Yang*

Kevin yang

Date:

Dec. 19, 2018

Check No.:3096321893



## 2 Version

Version No.	Date	Description
00	Dec. 19, 2018	Original

### 3 Test Summary

Test Item	Test Requirement	Test method	Result
Non-Occupancy Period	47 CFR Part 15 Subpart E Section 15.407 (h)(2)(iv)	FCC Order, ET Docket No.03-122 (FCC 06-96)	N/A <sup>1)</sup>
DFS Detection Threshold	47 CFR Part 15 Subpart E Section 15.407 (h)(2)	FCC Order, ET Docket No.03-122 (FCC 06-96)	N/A <sup>1)</sup>
Channel Availability Check Time	47 CFR Part 15 Subpart E Section 15.407 (h)(2)(ii)	FCC Order, ET Docket No.03-122 (FCC 06-96)	N/A <sup>1)</sup>
Uniform Spreading	47 CFR Part 15 Subpart E Section 15.407 (h)(2)	FCC Order, ET Docket No.03-122 (FCC 06-96)	N/A <sup>1)</sup>
U-NII Detection Bandwidth	47 CFR Part 15 Subpart E Section 15.407 (h)(2)	FCC Order, ET Docket No.03-122 (FCC 06-96)	N/A <sup>1)</sup>
Channel Closing Transmission Time	47 CFR Part 15 Subpart E Section 15.407 (h)(2)(iii)	FCC Order, ET Docket No.03-122 (FCC 06-96)	PASS
Channel Move Time	47 CFR Part 15 Subpart E Section 15.407 (h)(2)(iii)	FCC Order, ET Docket No.03-122 (FCC 06-96)	PASS

**Remark:**

The tested sample(s) and the sample information are provided by the client.

Tx: In this whole report Tx (or tx) means Transmitter.

Rx: In this whole report Rx (or rx) means Receiver.

RF: In this whole report RF means Radiated Frequency.

CH: In this whole report CH means channel.

Volt: In this whole report Volt means Voltage.

Temp: In this whole report Temp means Temperature.

Humid: In this whole report Humid means humidity.

Press: In this whole report Press means Pressure.

N/A: In this whole report not application.

N/A<sup>1)</sup>: The operation mode of tested sample only is client without radar detection, therefore it is not required.

Model No.: Skylight 2, D104S

Only the model Skylight 2 was tested, since the electrical circuit design, layout, components used and internal wiring were identical for the above models, Only the models are different.

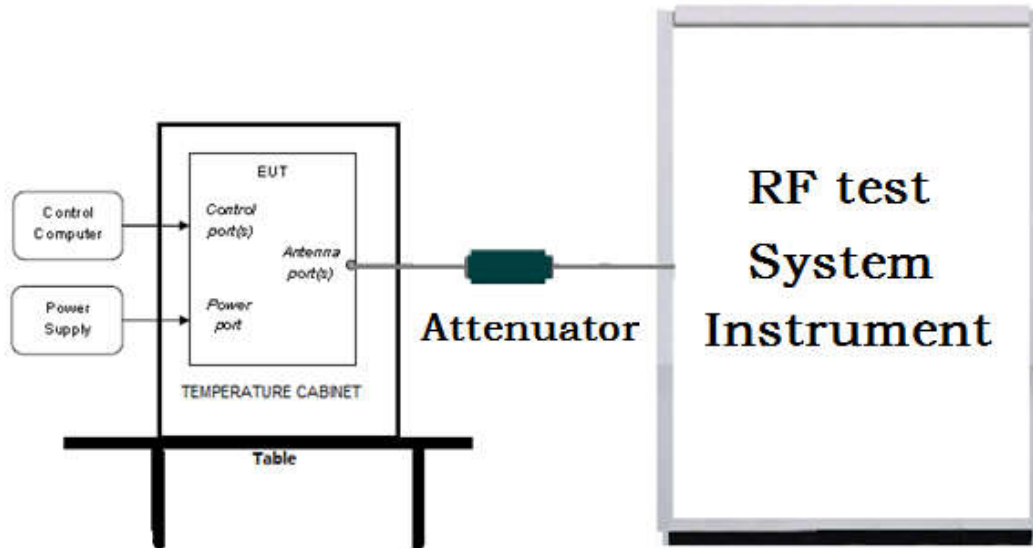
## 4 Content

<b>1 COVER PAGE</b> .....	<b>1</b>
<b>2 VERSION</b> .....	<b>2</b>
<b>3 TEST SUMMARY</b> .....	<b>3</b>
<b>4 CONTENT</b> .....	<b>4</b>
<b>5 TEST REQUIREMENT</b> .....	<b>5</b>
5.1 TEST SETUP.....	5
5.1.1 For Conducted test setup.....	5
5.1.2 Slave and Client device(EUT) block diagram of Test setup.....	5
5.1.3 Mast device(EUT) block diagram of Test setup.....	5
5.2 TEST ENVIRONMENT.....	6
5.3 TEST CONDITION.....	6
5.3.1 Radar test waveforms.....	6
5.3.2 Technical requirement.....	8
<b>6 GENERAL INFORMATION</b> .....	<b>9</b>
6.1 CLIENT INFORMATION.....	9
6.2 GENERAL DESCRIPTION OF EUT.....	9
6.3 PRODUCT SPECIFICATION SUBJECTIVE TO THIS STANDARD.....	9
6.4 DESCRIPTION OF SUPPORT UNITS.....	11
6.5 TEST LOCATION.....	11
6.6 DEVIATION FROM STANDARDS.....	11
6.7 ABNORMALITIES FROM STANDARD CONDITIONS.....	11
6.8 OTHER INFORMATION REQUESTED BY THE CUSTOMER.....	11
6.9 MEASUREMENT UNCERTAINTY (95% CONFIDENCE LEVELS, K=2).....	12
<b>7 EQUIPMENT LIST</b> .....	<b>13</b>
<b>8 RADIO TECHNICAL REQUIREMENTS SPECIFICATION</b> .....	<b>15</b>
Appendix A) Channel Closing Transmission and Channel Move Time.....	16
<b>PHOTOGRAPHS OF EUT CONSTRUCTIONAL DETAILS</b> .....	<b>20</b>

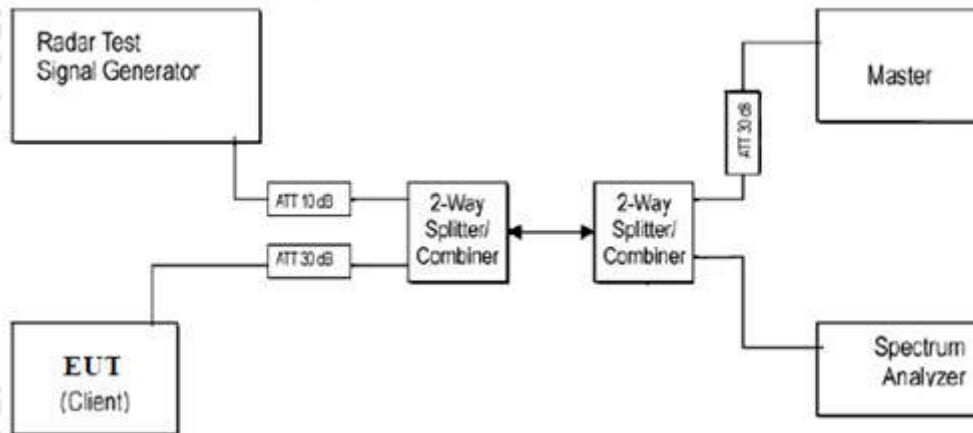
## 5 Test Requirement

### 5.1 Test setup

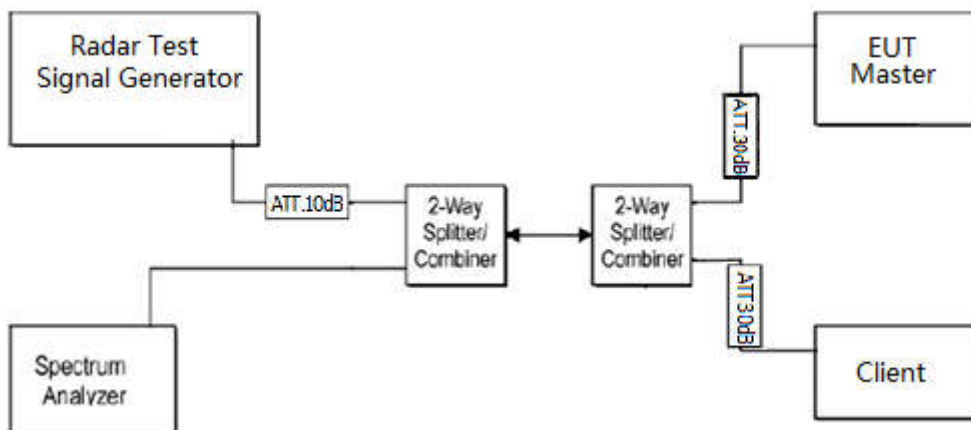
#### 5.1.1 For Conducted test setup



#### 5.1.2 Slave and Client device(EUT) block diagram of Test setup



#### 5.1.3 Mast device(EUT) block diagram of Test setup





## 5.2 Test Environment

<b>Operating Environment:</b>	
Temperature:	20 °C
Humidity:	53 % RH
Atmospheric Pressure:	1010mbar

## 5.3 Test Condition

### 5.3.1 Radar test waveforms

This section provides the parameters for required test waveforms, minimum percentage of successful detections, and the minimum number of trials that must be used for determining DFS conformance. Step intervals of 0.1 microsecond for Pulse Width, 1 microsecond for PRI, 1 MHz for chirp width and 1 for the number of pulses will be utilized for the random determination of specific test waveforms.

#### a) Short Pulse Radar Test Waveforms

Radar Type	Pulse width (μsec)	PRI (μsec)	Number of Pulses	Minimum Percentage of Successful Detection	Minimum Number of Trials
1	1	1428	18	60%	30
2	1-5	150-230	23-29	60%	30
3	6-10	200-500	16-18	60%	30
4	11-20	200-500	12-16	60%	30
Aggregate(Radar Types 1-4)				80%	120

A minimum of 30 unique waveforms are required for each of the Short Pulse Radar Types 2 through 4. For Short Pulse Radar Type 1, the same waveform is used a minimum of 30 times. If more than 30 waveforms are used for Short Pulse Radar Types 2 through 4, then each additional waveform must also be unique and not repeated from the previous waveforms.

The aggregate is the average of the percentage of successful detections of Short Pulse Radar Types 1-4.

#### b) Long Pulse Radar Test Waveform

Radar Type	Pulse width (μsec)	Chirp Width (MHz)	PRI (μsec)	Number of Pulses per Burst	Number of Burst	Minimum Percentage of Successful Detection	Minimum Number of Trials
5	50-100	5-20	1000-2000	1-3	8-20	80%	30

The parameters for this waveform are randomly chosen. Thirty unique waveforms are required for the Long Pulse Radar Type waveforms. If more than 30 waveforms are used for the Long Pulse Radar Type waveforms, then each additional waveform must also be unique and not repeated from the previous waveforms.

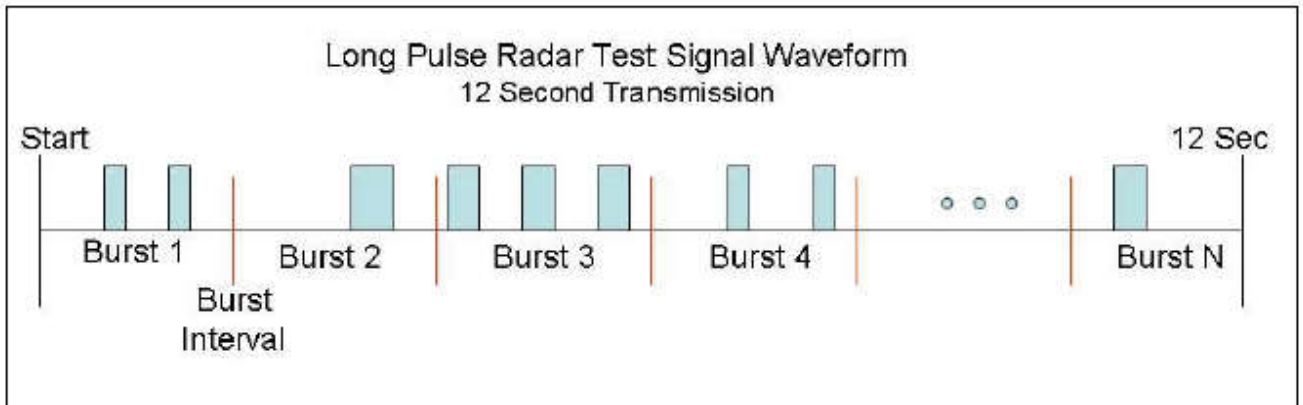
#### Each waveform is defined as follows:

- 1) The transmission period for the Long Pulse Radar test signal is 12 seconds.
- 2) There are a total of 8 to 20 Bursts in the 12 second period, with the number of Bursts being randomly chosen. This number is Burst\_Count.
- 3) Each Burst consists of 1 to 3 pulses, with the number of pulses being randomly chosen. Each Burst within the 12 second sequence may have a different number of pulses.
- 4) The pulse width is between 50 and 100 microseconds, with the pulse width being randomly chosen. Each pulse within a Burst will have the same pulse width. Pulses in different Bursts may have different pulse widths.
- 5) Each pulse has a linear frequency modulated chirp between 5 and 20 MHz, with the chirp width being randomly chosen. Each pulse within a Burst will have the same chirp width. Pulses in different Bursts may have different chirp widths. The chirp is centered on the pulse. For example, with a radar frequency of 5300 MHz and a 20 MHz chirped signal, the chirp starts at 5290 MHz and ends at 5310 MHz.
- 6) If more than one pulse is present in a Burst, the time between the pulses will be between 1000 and 2000 microseconds, with the time being randomly chosen. If three pulses are present in a Burst, the random time interval between the first and second pulses is chosen independently of the random time interval between the second and third pulses.
- 7) The 12 second transmission period is divided into even intervals. The number of intervals is equal to Burst\_Count. Each interval is of length  $(12,000,000 / \text{Burst\_Count})$  microseconds. Each interval contains one Burst. The start time for the Burst, relative to the beginning of the interval, is between 1 and  $[(12,000,000 / \text{Burst\_Count}) - (\text{Total Burst Length}) + (\text{One Random PRI Interval})]$  microseconds, with the start time being randomly chosen. The step interval for the start time is 1 microsecond. The start time for each Burst is chosen randomly.

**A representative example of a Long Pulse Radar Type waveform:**

- 1) The total test waveform length is 12 seconds.
- 2) Eight (8) Bursts are randomly generated for the Burst\_Count.
- 3) Burst 1 has 2 randomly generated pulses.
- 4) The pulse width (for both pulses) is randomly selected to be 75 microseconds.
- 5) The PRI is randomly selected to be at 1213 microseconds.
- 6) Bursts 2 through 8 are generated using steps 3 – 5.
- 7) Each Burst is contained in even intervals of 1,500,000 microseconds. The starting location for Pulse 1, Burst 1 is randomly generated (1 to 1,500,000 minus the total Burst 1 length + 1 random PRI interval) at the 325,001 microsecond step. Bursts 2 through 8 randomly fall in successive 1,500,000 microsecond intervals (i.e. Burst 2 falls in the 1,500,001 – 3,000,000 microsecond range).

**Graphical representation of the Long Pulse Radar Test Waveform.**



**c) Frequency Hopping Radar Test Waveform**

Radar Type	Pulse width (µsec)	PRI (µsec)	Pulses per Hop	Hopping Rate (kHz)	Hopping Sequence Length (m sec)	Minimum Percentage of Successful Detection	Minimum Number of Trials
6	1	333	9	0.333	300	70%	30

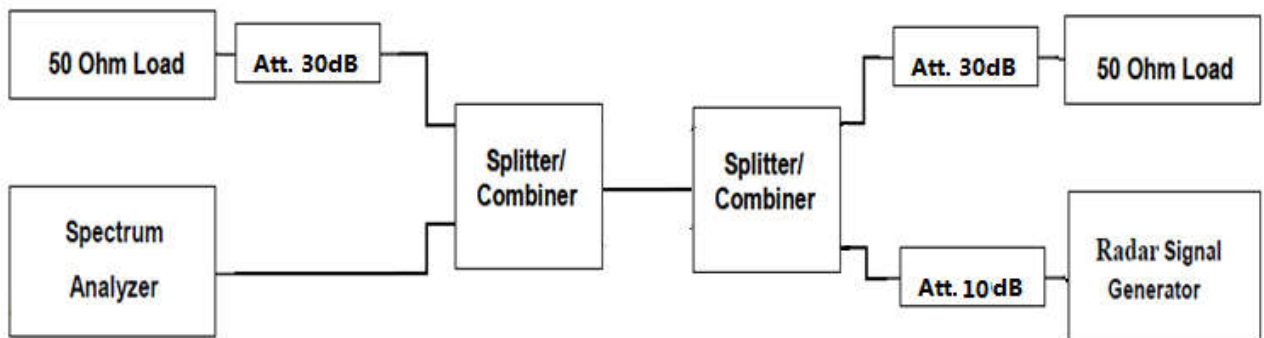
For the Frequency Hopping Radar Type, the same Burst parameters are used for each waveform. The hopping sequence is different for each waveform and a 100-length segment is selected from the hopping sequence defined by the following algorithm.

**d) Radar Waveform Calibration**

The following equipment setup was used to calibrate the conducted radar waveform. A spectrum analyzer was used to establish the test signal level for each radar type. During this process there were replace 50ohm terminal from master and client device and no transmissions by either the master or client device. The spectrum analyzer was switched to the zero span (time domain) at the frequency of the radar waveform generator. Peak detection was utilized. The spectrum analyzer resolution bandwidth (RBW) and video bandwidth (VBW) were set to 3MHz and 3 MHz.

The signal generator amplitude was set so that the power level measured at the spectrum analyzer was - 61dBm due to the interference threshold level is not required.

**Conducted Calibration Setup**



### 5.3.2 Technical requirement

#### a) Applicability of DFS Requirements

##### Applicability of DFS Requirements Prior to Use of a Channel

Requirement	Operation Mode		
	Master	Client without Radar Detection	Client with Radar Detection
Non-Occupancy Period	Yes	Not require	Yes
DFS Detection Threshold	Yes	Not require	Yes
Channel Availability Check Time	Yes	Not require	Not require
Uniform Spreading	Yes	Not require	Not require
U-NII Detection Bandwidth	Yes	Not require	Yes

##### Applicability of DFS requirements during normal operation

Requirement	Operation Mode		
	Master	Client without Radar Detection	Client with Radar Detection
DFS Detection Threshold	Yes	Not require	Yes
Channel Closing Transmission Time	Yes	Yes	Yes
Channel Move Time	Yes	Yes	Yes
U-NII Detection Bandwidth	Yes	Not require	Yes

#### b) DFS Detection Thresholds and Response Requirement

##### DFS Detection Thresholds for Master Devices and Client Devices With Radar Detection

Maximum Transmit Power	Value(See Notes 1 and 2)
≥ 200 milliwatt	-64 dBm
< 200 milliwatt	-62 dBm

Note 1: This is the level at the input of the receiver assuming a 0 dBi receive antenna.

Note 2: Throughout these test procedures an additional 1 dB has been added to the amplitude of the test transmission waveforms to account for variations in measurement equipment. This will ensure that the test signal is at or above the detection threshold level to trigger a DFS response.

##### DFS Response Requirement Values

Parameter	Value
Non- occupancy period	Minimum 30 minutes
Channel Availability Check Time	60 seconds
Channel Move Time	10 seconds See Note 1
Channel Closing Transmission Time	200 milliseconds + an aggregate of 60milliseconds over remaining 10 second period. See Notes 1 and 2
U-NII Detection Bandwidth	Minimum 80% of the UNII99% transmission power bandwidth See Note 3

**Note 1:** The instant that the Channel Move Time and the Channel Closing Transmission Time begins is as follows:

- For the Short Pulse Radar Test Signals this instant is the end of the Burst.
- For the Frequency Hopping radar Test Signal, this instant is the end of the last radar Burst generated.
- For the Long Pulse Radar Test Signal this instant is the end of the 12 second period defining the Radar Waveform.

**Note 2:** The Channel Closing Transmission Time is comprised of 200 milliseconds starting at the beginning of the Channel Move Time plus any additional intermittent control signals required to facilitate a Channel move (an aggregate of 60 milliseconds) during the remainder of the 10second period. The aggregate duration of control signals will not count quiet periods in between transmissions.

**Note 3:** During the U-NII Detection Bandwidth detection test, radar type 1 is used and for each frequency step the minimum percentage of detection is 90 percent. Measurements are performed with no data traffic.



## 6 General Information

### 6.1 Client Information

Applicant:	Shenzhen Chuangwei Electronic Appliance Tech Co., Ltd.
Address of Applicant:	4F & 6F, Overseas plant south, Skyworth Industrial Park, Shiyuan Street, Bao'an District, Shenzhen, P. R. China
Manufacturer:	Shenzhen Chuangwei Electronic Appliance Tech Co., Ltd.
Address of Manufacturer:	4F & 6F, Overseas plant south, Skyworth Industrial Park, Shiyuan Street, Bao'an District, Shenzhen, P. R. China
Factory:	Shenzhen Chuangwei Electronic Appliance Tech Co., Ltd.
Address of Factory:	4F & 6F, Overseas plant south, Skyworth Industrial Park, Shiyuan Street, Bao'an District, Shenzhen, P. R. China

### 6.2 General Description of EUT

Product Name:	10 inch WIFI Digital Photo Frame	
Model No.(EUT):	Skylight 2, D104S	
Test Model No.:	Skylight 2	
Trade Mark:	N/A	
Location for use:	indoor	
EUT Supports Radios application:	2.4GHz: Wi-Fi:802.11b/g/n(HT20)(HT40): 2412MHz ~2472 MHz 5GHz: Wi-Fi: U-NII-1: 5.15-5.25GHz; U-NII-2A: 5.25-5.35GHz U-NII-2C: 5.470-5.725GHz; U-NII-3: 5.725-5.850GHz 802.11a, 802.11n(20MHz/40MHz)	
Power Supply:	Adapter	Model:TPA-46050150UU Input:100~240V~ 50/60Hz, 0.3A Output:5V --- 1500mA
Firmware version:	D104.V2.05(manufacturer declare)	
Hardware version:	V01(manufacturer declare)	
Sample Received Date:	Nov. 19, 2018	
Sample tested Date:	Nov. 22, 2018 to Dec. 12, 2018	

### 6.3 Product Specification subjective to this standard

Operation Frequency:	IEEE 802.11a/n/ac(20M): 5150MHz ~5250 MHz IEEE802.11n/ac(40M): 5150MHz ~5250 MHz IEEE802.11ac(80M): 5150MHz ~5250 MHz IEEE 802.11a/n/ac(20M): 5250MHz ~5350 MHz IEEE802.11n/ac(40M): 5250MHz ~5350 MHz IEEE802.11ac(80M): 5250MHz ~5350 MHz IEEE 802.11a/n/ac(20M): 5470MHz ~5725 MHz IEEE802.11n/ac(40M): 5470MHz ~5725 MHz IEEE802.11ac(80M): 5470MHz ~5725 MHz IEEE 802.11a/n/ac(20M): 5725MHz ~5850 MHz IEEE802.11n/ac(40M): 5725MHz ~5850 MHz IEEE802.11ac(80M): 5725MHz ~5850 MHz
Channel Numbers:	IEEE 802.11a/n/ac(20M): 5150MHz ~5250MHz/ 4 channel IEEE 802.11n/ac(40M): 5150MHz ~5250MHz/ 2 channel IEEE 802.11ac(80M): 5150MHz ~5250MHz/ 1 channel IEEE 802.11a/n/ac(20M): 5250MHz ~5350 MHz/ 4 channel IEEE802.11n/ac(40M): 5250MHz ~5350 MHz/ 2 channel IEEE802.11ac(80M): 5250MHz ~5350 MHz/ 1 channel IEEE 802.11a/n/ac(20M): 5470MHz ~5725 MHz/ 8 channel IEEE802.11n/ac(40M): 5470MHz ~5725 MHz/ 3 channel IEEE802.11ac(80M): 5470MHz ~5725 MHz/ 1 channel IEEE 802.11a/n/ac(20M): 5725MHz ~5850MHz/ 5 channel IEEE 802.11n/ac(40M): 5725MHz ~5850MHz/ 2 channel IEEE 802.11ac(80M): 5725MHz ~5850MHz/ 1 channel

Operation Mode:	Slaver device without radar detection function
Type of Modulation:	OFDM
Sample Type:	Fixed production
Test Power Grade:	N/A
Test Software of EUT:	Ampak RFTesTool, VER:5.3(manufacturer declare)
Antenna Type:	Integral antenna
Antenna Gain:	4dBi@2.4G 2dBi@5G
Test Voltage:	AC 120V, 60Hz

## Operation Frequency each of channel

For 802.11a/n/ac( 20M) Operation in the 5150MHz ~5250 MHz band			
Channel	Frequency	Channel	Frequency
36	5180MHz	44	5220MHz
40	5200MHz	48	5240MHz
For 802.11a/n/ac( 20M) Operation in the 5250MHz ~5350 MHz band			
Channel	Frequency	Channel	Frequency
52	5260MHz	56	5280MHz
60	5300MHz	64	5320MHz
For 802.11a/n/ac( 20M) Operation in the 5470MHz ~5725 MHz band			
Channel	Frequency	Channel	Frequency
100	5500MHz	104	5520MHz
108	5540MHz	112	5560MHz
116	5580MHz	132	5660MHz
136	5680MHz	140	5700MHz
For 802.11a/n/ac( 20M) Operation in the 5725MHz ~5850 MHz band			
Channel	Frequency	Channel	Frequency
149	5745MHz	161	5805MHz
153	5765MHz	165	5825MHz
157	5785MHz	NA	NA

For 802.11n/ac(40M) Operation in the 5150MHz ~5250 MHz band			
Channel	Frequency	Channel	Frequency
38	5190MHz	46	5230MHz
For 802.11n/ac(40M) Operation in the 5250MHz ~5350 MHz band			
Channel	Frequency	Channel	Frequency
54	5270MHz	62	5310MHz
For 802.11n/ac(40M) Operation in the 5470MHz ~5725 MHz band			
Channel	Frequency	Channel	Frequency
102	5510MHz	110	5550MHz
134	5670MHz	NA	NA
For 802.11n/ac(40M) Operation in the 5725MHz ~5850 MHz band			
Channel	Frequency	Channel	Frequency
151	5755MHz	159	5795MHz

For 802.11ac(80M) Operation in the 5150MHz ~5250 MHz band			
Channel	Frequency	NA	NA
42	5210MHz	NA	NA
For 802.11ac(80M) Operation in the 5250MHz ~5350 MHz band			
Channel	Frequency	NA	NA
58	5290MHz	NA	NA
For 802.11ac(80M) Operation in the 5470MHz ~5725 MHz band			
Channel	Frequency	NA	NA
106	5530MHz	NA	NA
For 802.11ac(80M) Operation in the 5725MHz ~5850 MHz band			
Channel	Frequency	NA	NA
155	5775MHz	NA	NA

## 6.4 Description of Support Units

The EUT has been tested with associated equipment below.

Associated equipment name		Manufacture	model	serial number	Supplied by	Certification
AE1	Phone	Apple	A1367	TTF20120027	CTI	FCC
AE2	Router	HuaWei	WS550	K8E8W15314002784	CTI	FCC

## 6.5 Test Location

All tests were performed at:

Centre Testing International Group Co., Ltd  
Building C, Hongwei Industrial Park Block 70, Bao'an District, Shenzhen, China  
Telephone: +86 (0) 755 33683668 Fax: +86 (0) 755 33683385

No tests were sub-contracted.

FCC Designation No.: CN1164

## 6.6 Deviation from Standards

None.

## 6.7 Abnormalities from Standard Conditions

None.

## 6.8 Other Information Requested by the Customer

None.

**6.9 Measurement Uncertainty (95% confidence levels, k=2)**

No.	Item	Measurement Uncertainty
1	Radio Frequency	$7.9 \times 10^{-8}$
2	RF power, conducted	0.46dB (30MHz-1GHz)
		0.55dB (1GHz-18GHz)
3	Radiated Spurious emission test	4.3dB (30MHz-1GHz)
		4.5dB (1GHz-12.75GHz)
4	Conduction emission	3.5dB (9kHz to 150kHz)
		3.1dB (150kHz to 30MHz)
5	Temperature test	0.64°C
6	Humidity test	3.8%
7	DC power voltages	0.026%



## 7 Equipment List

RF test system					
Equipment	Manufacturer	Model No.	Serial Number	Cal. Date (mm-dd-yyyy)	Cal. Due date (mm-dd-yyyy)
Signal Generator	Keysight	E8257D	MY53401106	03-13-2018	03-12-2019
Spectrum Analyzer	Keysight	N9010A	MY54510339	03-13-2018	03-12-2019
Signal Generator	Keysight	N5182B	MY53051549	03-13-2018	03-12-2019
High-pass filter	Sinoscite	FL3CX03WG1 8NM12-0398-002	---	01-10-2018	01-09-2019
High-pass filter	MICRO-TRONICS	SPA-F-63029-4	---	01-10-2018	01-09-2019
DC Power	Keysight	E3642A	MY54426035	03-13-2018	03-12-2019
PC-1	Lenovo	R4960d	---	03-13-2018	03-12-2019
BT&WI-FI Automatic control	R&S	OSP120	101374	03-13-2018	03-12-2019
RF control unit	JS Tonscend	JS0806-2	15860006	03-13-2018	03-12-2019
RF control unit	JS Tonscend	JS0806-1	15860004	03-13-2018	03-12-2019
RF control unit	JS Tonscend	JS0806-4	158060007	03-13-2018	03-12-2019
BT&WI-FI Automatic test software	JS Tonscend	JS1120-2	---	03-13-2018	03-12-2019
Temperature/ Humidity Indicator	biaozhi	HM10	1804186	10-12-2018	10-11-2019

3M Semi/full-anechoic Chamber					
Equipment	Manufacturer	Model No.	Serial Number	Cal. date (mm-dd-yyyy)	Cal. Due date (mm-dd-yyyy)
3M Chamber & Accessory Equipment	TDK	SAC-3	---	06-04-2016	06-03-2019
TRILOG Broadband Antenna	Schwarzbeck	VULB9163	9163-401	10-28-2018	10-27-2019
TRILOG Broadband Antenna	Schwarzbeck	VULB9163	9163-618	07-30-2018	07-29-2019
Microwave Preamplifier	Agilent	8449B	3008A02425	08-21-2018	08-20-2019
Microwave Preamplifier	Tonscend	EMC051845SE	980380	01-19-2018	01-18-2019
Horn Antenna	Schwarzbeck	BBHA 9120D	9120D-1869	04-25-2018	04-23-2021
Horn Antenna	ETS-LINDGREN	3117	00057410	06-05-2018	06-03-2021
Double ridge horn antenna	A.H.SYSTEMS	SAS-574	6042	06-05-2018	06-04-2021
Pre-amplifier	A.H.SYSTEMS	PAP-1840-60	6041	06-05-2018	06-04-2021
Loop Antenna	ETS	6502	00071730	06-22-2017	06-21-2019
Spectrum Analyzer	R&S	FSP40	100416	05-11-2018	05-10-2019
Receiver	R&S	ESCI	100435	05-25-2018	05-24-2019
Receiver	R&S	ESCI7	100938-003	11-22-2017	11-23-2018
Receiver	R&S	ESCI7	100938-003	11-23-2018	11-22-2019
Multi device Controller	matur	NCD/070/10711112	---	01-10-2018	01-09-2019
LISN	schwarzbeck	NNBM8125	81251547	05-11-2018	05-10-2019
LISN	schwarzbeck	NNBM8125	81251548	05-11-2018	05-10-2019
Signal Generator	Agilent	E4438C	MY45095744	03-13-2018	03-12-2019
Signal Generator	Keysight	E8257D	MY53401106	03-13-2018	03-12-2019
Temperature/Humidity Indicator	Shanghai qixiang	HM10	1804298	10-12-2018	10-11-2019
Communication test set	Agilent	E5515C	GB47050534	03-16-2018	03-15-2019
Cable line	Fulai(7M)	SF106	5219/6A	01-10-2018	01-09-2019
Cable line	Fulai(6M)	SF106	5220/6A	01-10-2018	01-09-2019
Cable line	Fulai(3M)	SF106	5216/6A	01-10-2018	01-09-2019
Cable line	Fulai(3M)	SF106	5217/6A	01-10-2018	01-09-2019
Communication test set	R&S	CMW500	104466	02-05-2018	02-04-2019
High-pass filter	Sinoscite	FL3CX03WG18NM12-0398-002	---	01-10-2018	01-09-2019
High-pass filter	MICRO-TRONICS	SPA-F-63029-4	---	01-10-2018	01-09-2019
band rejection filter	Sinoscite	FL5CX01CA09CL12-0395-001	---	01-10-2018	01-09-2019
band rejection filter	Sinoscite	FL5CX01CA08CL12-0393-001	---	01-10-2018	01-09-2019
band rejection filter	Sinoscite	FL5CX02CA04CL12-0396-002	---	01-10-2018	01-09-2019
band rejection filter	Sinoscite	FL5CX02CA03CL12-0394-001	---	01-10-2018	01-09-2019

## 8 Radio Technical Requirements Specification

### Reference documents for testing:

No.	Identity	Document Title
1	FCC Part15E (2015)	Subpart C-Intentional Radiators
2	FCC Order, ET Docket No.03-122 (FCC 06-96)	Compliance Measurement Procedures for Unlicensed-National Information Infrastructure Devices Operating in the 5.25-5.35 GHz and 5.47-5.725 GHz Bands Incorporating Dynamic Frequency Selection

### Test Results List:

FCC Part15E	Test method	Test item	Operation Mode verdict	Note
			Client without Radar Detection	
47 CFR Part 15 Subpart E Section 15.407 (h)(2)(iv)	FCC 06-96	Non-Occupancy Period	Not require	N/A
47 CFR Part 15 Subpart E Section 15.407 (h)(2)	FCC 06-96	DFS Detection Threshold	Not require	N/A
47 CFR Part 15 Subpart E Section 15.407 (h)(2)(ii)	FCC 06-96	Channel Availability Check Time	Not require	N/A
47 CFR Part 15 Subpart E Section 15.407 (h)(2)	FCC 06-96	U-NII Detection Bandwidth	Not require	N/A
47 CFR Part 15 Subpart E Section 15.407 (h)(2)(iii)	FCC 06-96	Channel Closing Transmission Time	PASS	Appendix A)
47 CFR Part 15 Subpart E Section 15.407 (h)(2)(iii)	FCC 06-96	Channel Move Time	PASS	Appendix A)
47 CFR Part 15 Subpart E Section 15.407 (h)(2)	FCC 06-96	Uniform Spreading	Not require	N/A

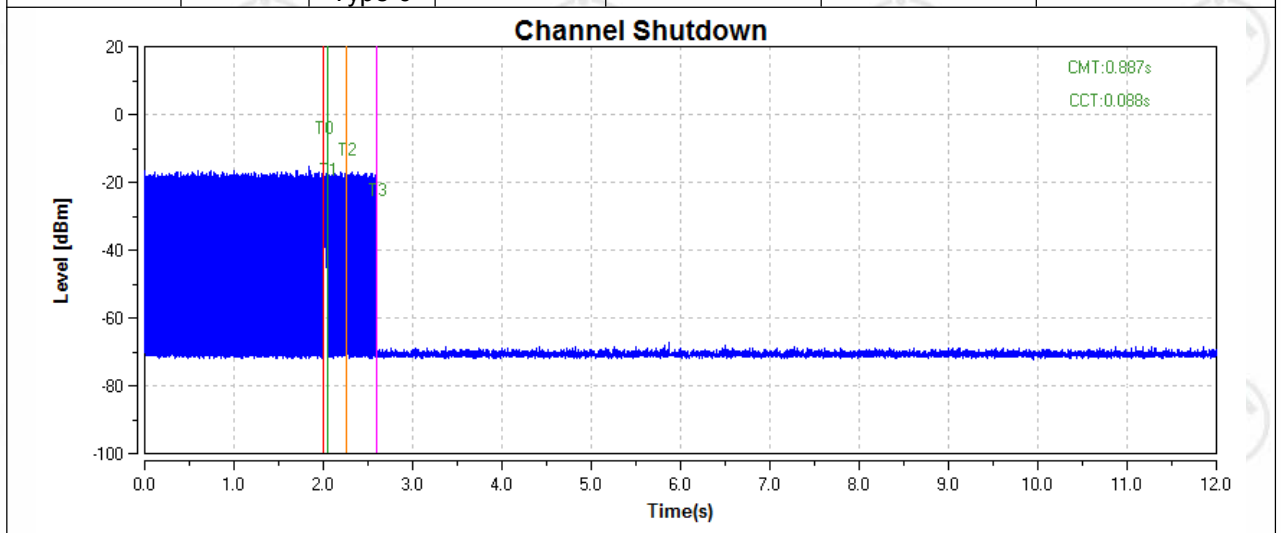
## Appendix A) Channel Closing Transmission and Channel Move Time

### Monitoring of operating channel Limit

Monitoring of operating channel Limit	
Channel Move Time	10 sec
Channel Closing Transmission Time	260 ms

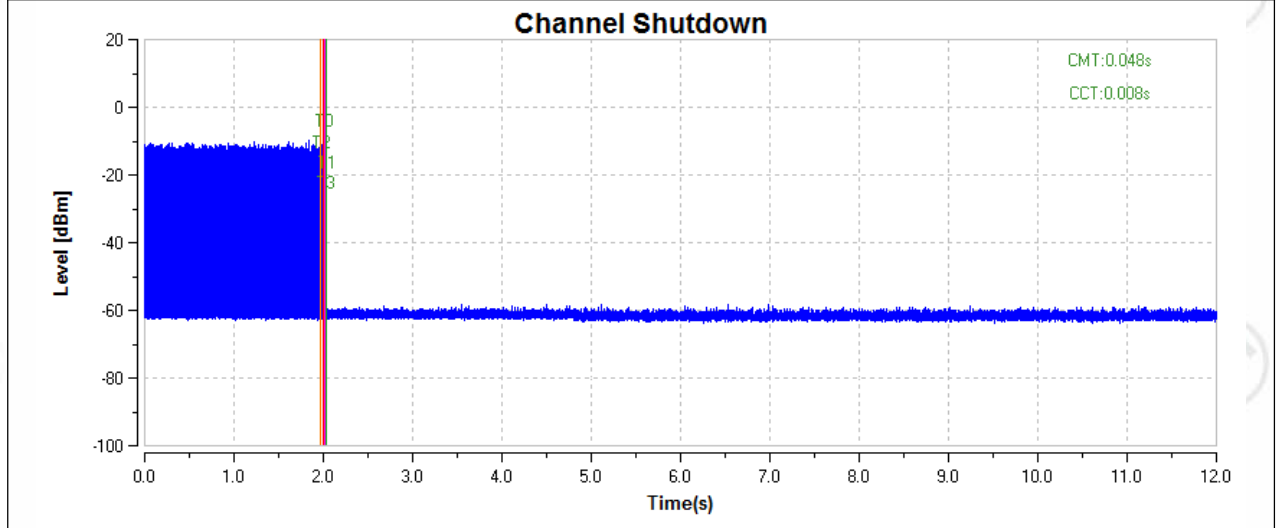
### Test Result of Channel Closing Transmission and Channel Move Time

Modulation Mode	Freq. (MHz)	Radar Type	Channel Closing Transmission Time		Channel Move Time	
			Test	Limit	Test	Limit
A	5320	Radar Type 0	88ms	260ms	0.887s	10s

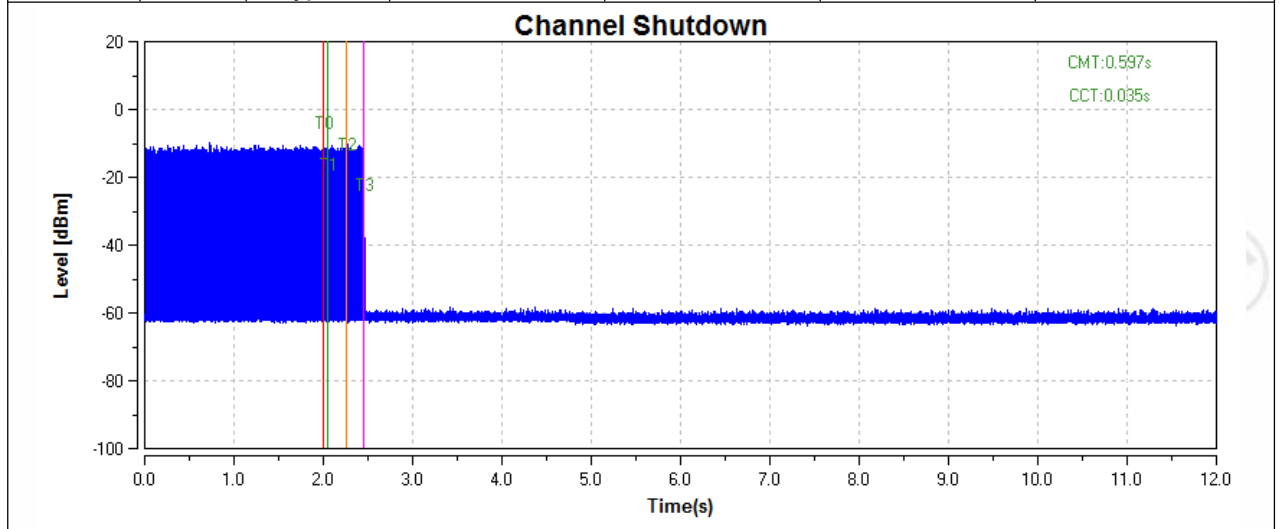




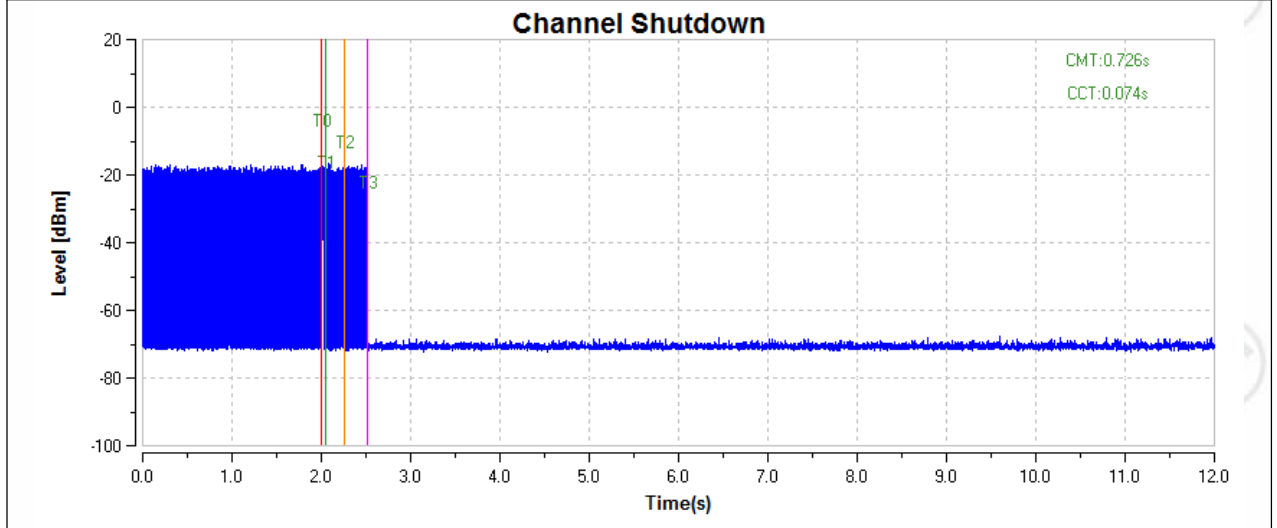
Modulation Mode	Freq. (MHz)	Radar Type	Channel Closing Transmission Time		Channel Move Time	
			Test	Limit	Test	Limit
A	5500	Radar Type 0	8ms	260ms	0.048s	10s



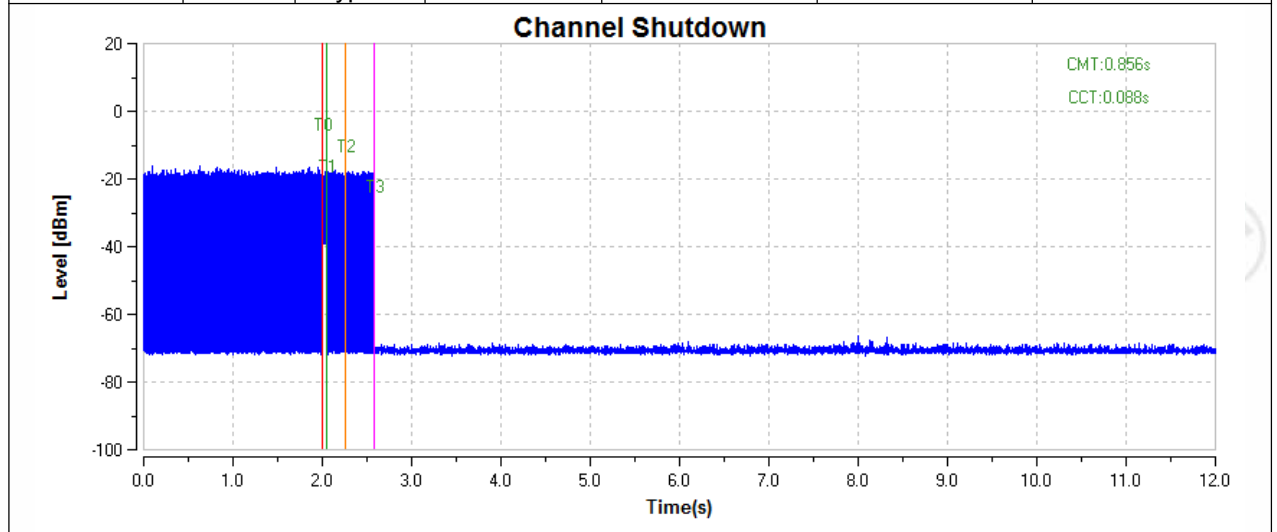
Modulation Mode	Freq. (MHz)	Radar Type	Channel Closing Transmission Time		Channel Move Time	
			Test	Limit	Test	Limit
HT40	5310	Radar Type 0	35ms	260ms	0.597s	10s



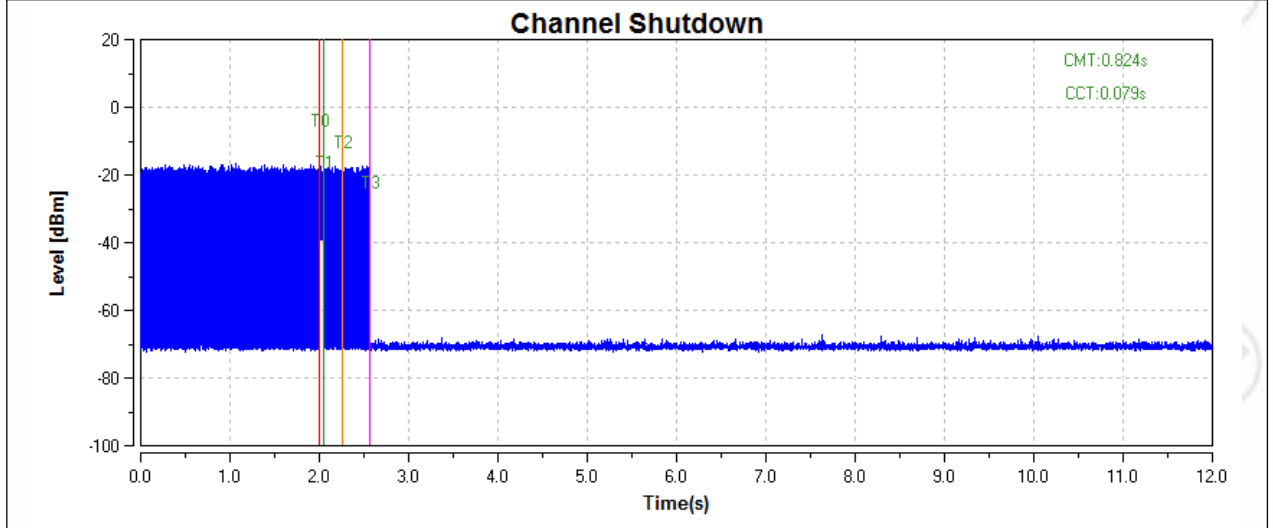
Modulation Mode	Freq. (MHz)	Radar Type	Channel Closing Transmission Time		Channel Move Time	
			Test	Limit	Test	Limit
HT40	5510	Radar Type 0	74ms	260ms	0.726s	10s



Modulation Mode	Freq. (MHz)	Radar Type	Channel Closing Transmission Time		Channel Move Time	
			Test	Limit	Test	Limit
VHT80	5290	Radar Type 0	88ms	260ms	0.856s	10s



Modulation Mode	Freq. (MHz)	Radar Type	Channel Closing Transmission Time		Channel Move Time	
			Test	Limit	Test	Limit
VHT80	5530	Radar Type 0	79ms	260ms	0.824s	10s



## PHOTOGRAPHS OF EUT Constructional Details

Refer to Report No.EED32K00312401 for EUT external and internal photos.

\*\*\* End of Report \*\*\*

The test report is effective only with both signature and specialized stamp, The result(s) shown in this report refer only to the sample(s) tested. Without written approval of CTI, this report can't be reproduced except in full.