

SPECIFICATION

JIADE WIRELESS TECHNOLOGY (SHENZHEN) CO., LTD

UDG-G109 WIFI Antenna

Product Specification

connection	PROITAV	frequency range	2400 ~ 2500MHz 5150 ~ 5850MHZ
entry name	UDG-G109	edition	V2.0
Material No	1D-GG109-130	material quality	Stainless steel nickel plating
Customer Item Number	J.03.0024G5G000		
R F Design	Yuanqing.Zhu	Structural Design	Ruibin.Zhou
Quality Manager	Jin.Yang	Technical Director	Lei.Zhang
Date	2024-4-19		

Customer confirmation:

Whether the assembly meets your company's requirements: OK NG

JIADE WIRELESS TECHNOLOGY (SHENZHEN) CO., LTD

JIADE WIRELESS TECHNOLOGY (SHENZHEN) CO., LTD

ADD:601-602, North Building, Cangsong Building, Tairan 6th Road, Futian District, Shenzhen

TEL:0755-3335 3180

Mobile: 135 9015 6632

Revision history

Version number	Change content	Reason for change	Originating Party	Date	Modified by
V1.0	found			2024-4-19	
V1.1					

JIADE WIRELESS TECHNOLOGY (SHENZHEN) CO.,LTD

ADD:601-602, North Building, Gangsong Building, Tairan 6th Road, Futian District, Shenzhen

TEL:0755-3335 3180 Mobile: 135 9015 6632

Indexes

I、 Project Description.....	4
IV、 BT antenna.....	4
1、 specifications.....	4
1.1 Electrical specifications and standards.....	5
1.1.1 Electrical performance index.....	5
1.1.2 Antenna placement.....	5
1.1.3 Antenna matching.....	6
1.2 Structural specifications and standards.....	6
1.2.1 Antenna composition..	6
2、 testing environment.....	7
3、 test.	8
3.1 Test of standing wave (VSWR).....	8
3.1.1 Test connection.....	8
4、 Parameter diagram.....	9-10
5、 Radiation 2D & 3D Field Diagrams	10-12
6、 conclusion	13
7、 schedule drawing.....	14

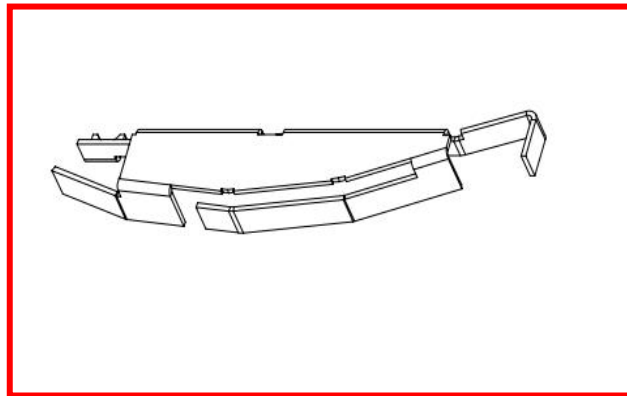
I、 Project Description

Customer Name:	PROITAV
Type of complete machine:	UDG-G109
Antenna band:	2400 ~ 2500MHz 5150 ~ 5850MHz
Antenna form:	Stainless steel nickel plating
Feed form:	soldered
Number of feed legs:	two

IV 、 BT Antenna

1 、 specifications

This report mainly provides the testing status of various electrical and structural performance parameters of the antenna for the CE-2188N project. The following image shows an antenna with a large display design.



antenna appearing diagram

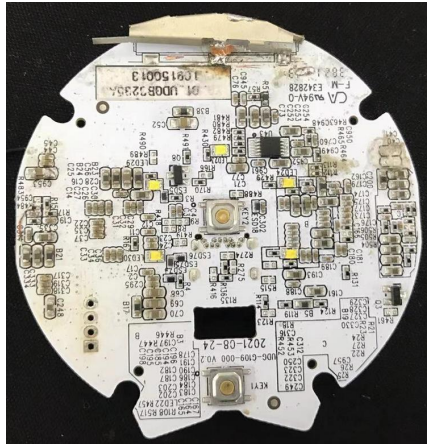
1.1 Electrical specifications and standards

1.1.1 Electrical performance index

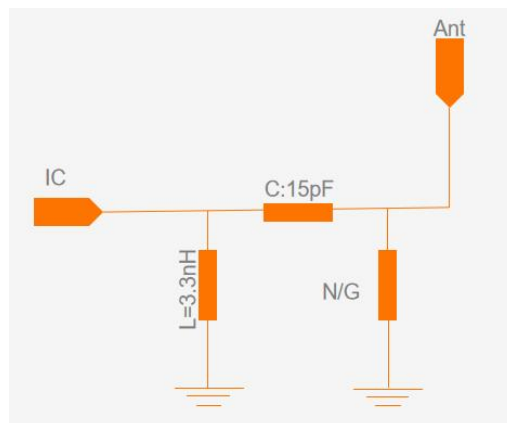
The operating frequency band of the antenna is between 2400 ~ 2500 MHz & 5150 ~ 5850 MHz. The following table shows the electrical performance indicators of large display design and mass production antennas.

Frequency Range	Frequency (MHz)	VSWR
BT	2400 ~ 2500 5150 ~ 5850	≤ 3

1.1.2 Antenna placement



1.1.3 Antenna matching



JIADE WIRELESS TECHNOLOGY (SHENZHEN) CO., LTD

ADD:601-602, North Building, Gangsong Building, Tairan 6th Road, Futian District, Shenzhen

TEL:0755-3335 3180

Mobile: 135 9015 6632

1.2、 Structural specifications and standards

The antenna is mainly composed of Stainless steel nickel plating.

IV、 The Equipment of Active Test

Satimo 3D Chamber 6×4×4(m)

Agilent 8960 E5515c

Network analyzer-R&S ZVL



Figure 2

3 test

3.1 The Test of standing Wave (VSWR)

3.1.1 The Test of standing Wave (VSWR): In turn, the connection of the VSWR testing device is as follows: RES ZVL Network Analyzer / testing Line / testing tool

Actual measurement (with diagram)

3.2 Measurement of Efficiency, Power (TRP) and Sensitivity (TIS)

3.2.1 Test site:

Large-scale microwave darkroom. The test frequency range is 400MHz / 6GHz, the static range is 50cm circumferential and the reflectivity is less than-50 dB..

3.2.2 Test instrument:

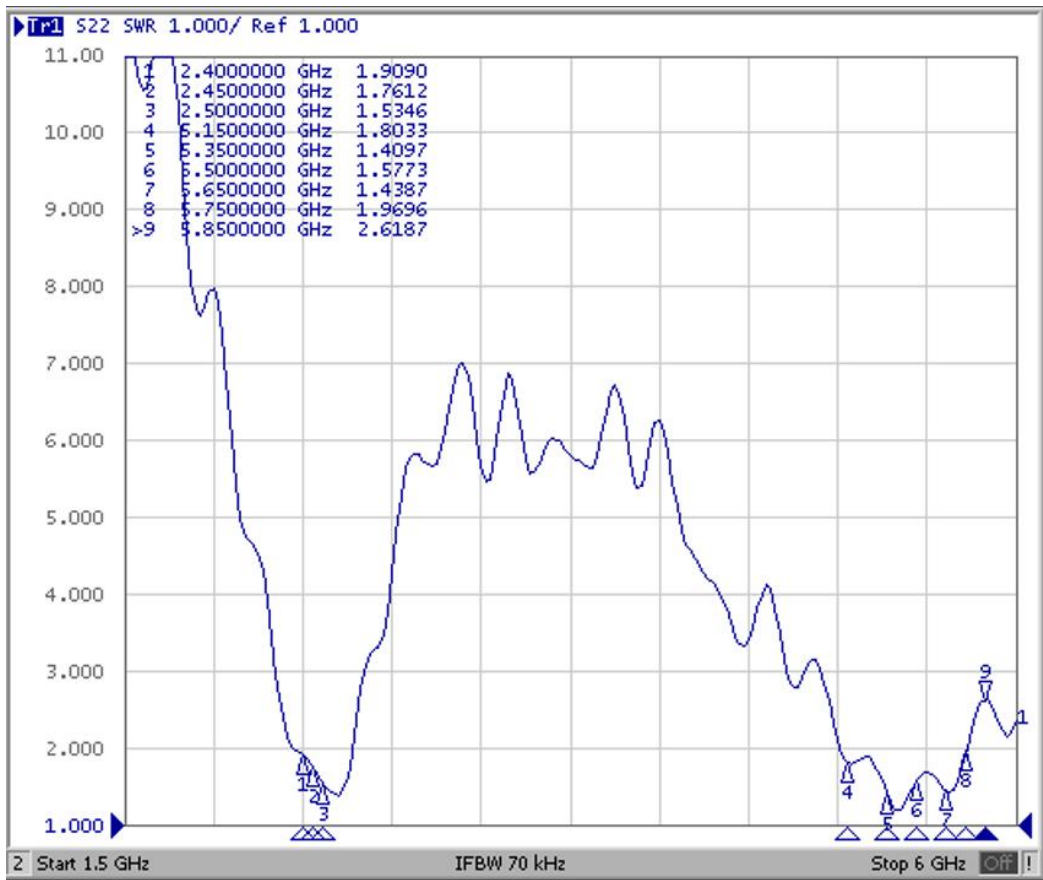
Rs ZVL Network Analyzer, Agilent8960 E5515C, Standard Horn Antenna, French SATIMO-SG24SYSTEM system, Printer, etc.

3.2.3 test data : In microwave anechoic chambers, the power and sensitivity values measured are shown in the following table:

Passive efficiency&gain:

Freq (MHz)	Effi (%)	Gain (dBi)
2400	52.24	0.88
2450	55.58	1.15
2500	55.21	1.10
5150	62.38	1.67
5350	63.72	0.52
5500	59.23	0.10
5650	51.05	0.08
5750	46.66	0.60
5850	38.85	-0.14

4、VSWR parameter diagram

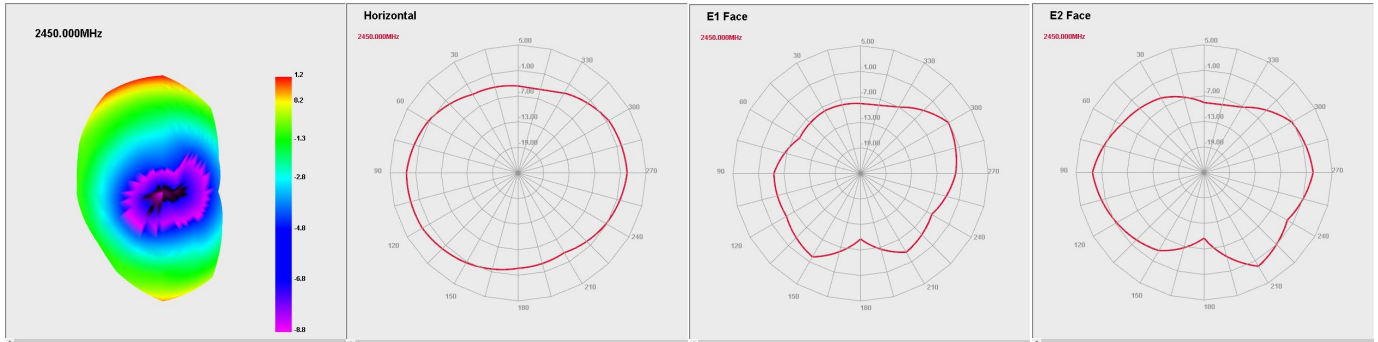


JIADE WIRELESS TECHNOLOGY (SHENZHEN) CO.,LTD

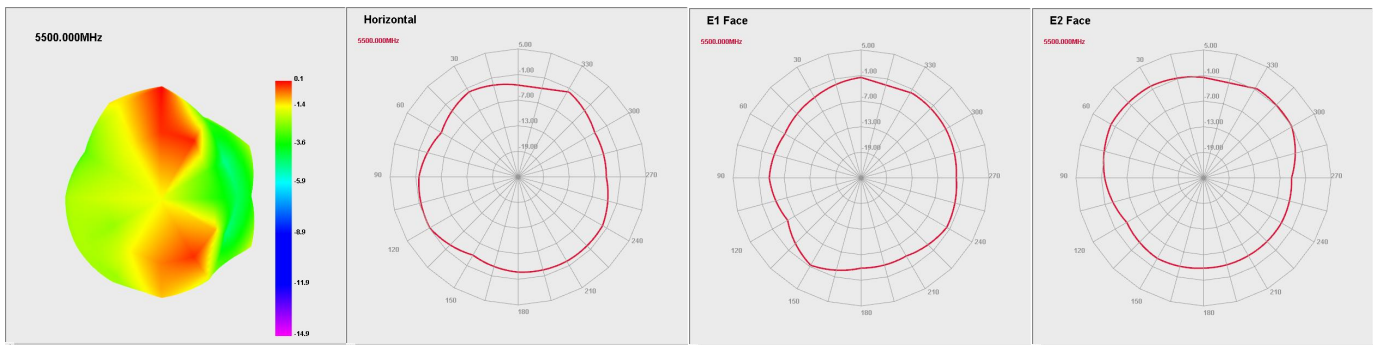
ADD:601-602, North Building, Gangsong Building, Tairan 6th Road, Futian District, Shenzhen

TEL:0755-3335 3180 Mobile: 135 9015 6632

5、 Radiation 2D & 3D Field Diagrams -TRP --WIFI 2.4G



--WIFI 5.8G



6、 conclusion

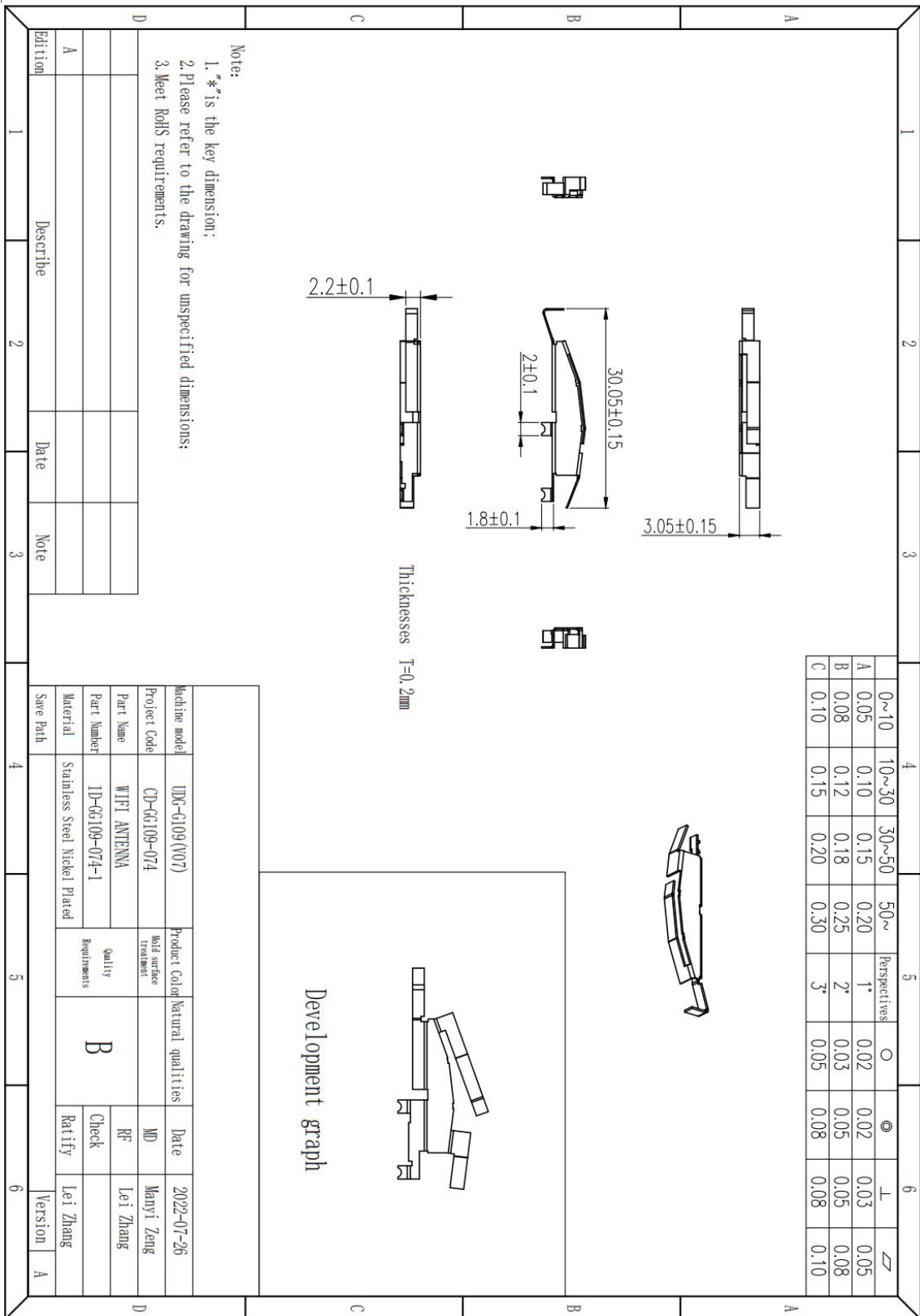
This antenna is designed based on the prototype provided by the customer. The electrical parameters and structural performance have met the technical requirements, please confirm!

JIADe WIRELESS TECHNOLOGY (SHENZHEN) CO.,LTD

ADD:601-602, North Building, Gangsong Building, Tairan 6th Road, Futian District, Shenzhen

TEL:0755-3335 3180 Mobile: 135 9015 6632

7、Structural drawings



JIADE WIRELESS TECHNOLOGY (SHENZHEN) CO.,LTD

ADD:601-602, North Building, Gangsong Building, Tairan 6th Road, Futian District, Shenzhen

TEL:0755-3335 3180

Mobile: 135 9015 6632