

# Antenna Report

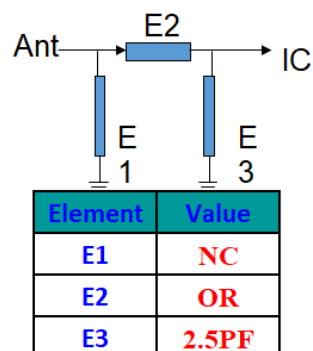
## 1. Antenna description

Antenna	FPCB ANT
Model	TWS12
Version	V1.0
Transmit power	10mW
Frequency	2400-2500MHz
impedance	50 $\Omega$
Antenna gain	-0.38dBi

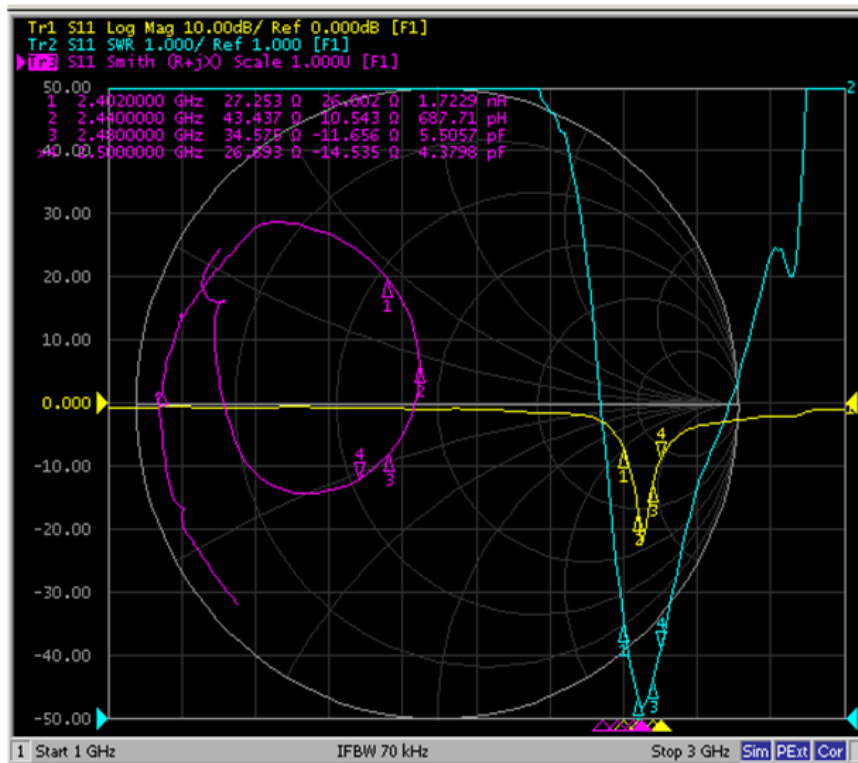
## 2. Antenna View



## 3. Antenna matching circuit



#### 4. Antenna impedance parameters



#### 5. Antenna gain and Efficiency

Frequency(MHz)	Gain(dBi)	Efficiency(dB)
2400	-0.86	-6.45
2410	-0.70	-6.26
2420	-0.60	-6.20
2430	-0.53	-6.22
2440	-0.51	-6.28
2450	-0.43	-6.31
2460	-0.38	-6.34
2470	-0.40	-6.40
2480	-0.54	-6.49
2490	-0.79	-6.65
2500	-1.16	-6.91

6. 2D&3DDirectional pattern

