




Safety and cautions

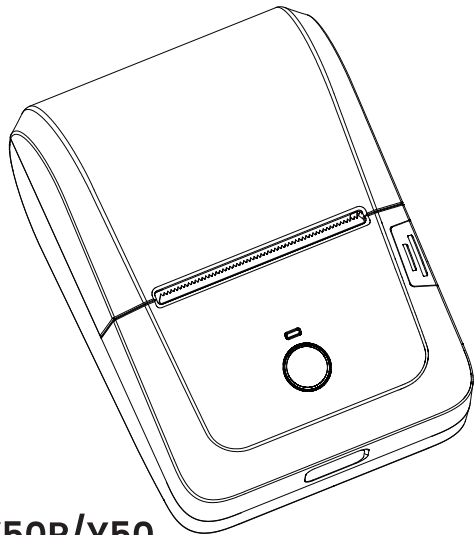
- 1 This product including built-in lithium battery, do not use the product in the temperature above 40°C environment, do not close to flame and other heating machine, do not place it under the sun or sealing space.
- 2 Children should under the supervision of adults to use the product. After full charge, please make sure to remove the charging cable in time to prevent overheating and short circuit, which cause firing.
- 3 Do not place the product in fire or water to avoid short circuit of the battery and cause firing or burning;
- 4 The operating temperature range is 0°C to 40°C, please do not use the product out of the recommended temperature range;

Warning: In a residential environment, running this product may cause radio interference.

If consumers use a power adapter to charge, they should purchase a power adapter that is certified by CCC and meets the standards.

Please use the original model battery. Using non-original model battery or the wrong model battery will have the risk of explosion. Be sure to dispose of the used battery according to the instructions.

-  To prevent overheating, don't touch!
-  Avoid cutting sharp edges. don't touch!
-  Not for children!



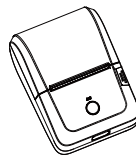
Y50P/Y50
Smart label printer
instruction manual

Content

01 Checklist	02
02 Product schematic	03
03 Indicator Description	05
04 Basic Usage and Settings.....	07
05 Consumable installation	09
06 Roller cleaning	12
07 TPH cleaning	14
08 Troubleshooting guide.....	16
09 Software download	18

01

Packing list



printer (1 set)



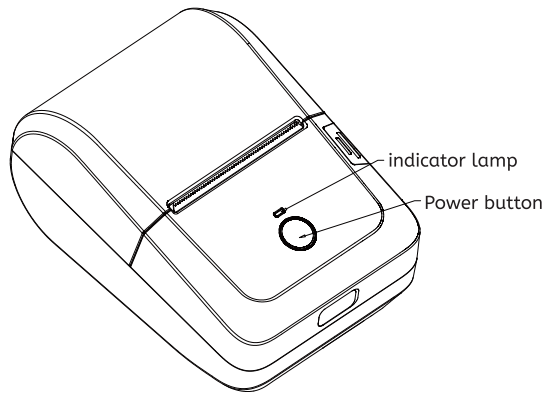
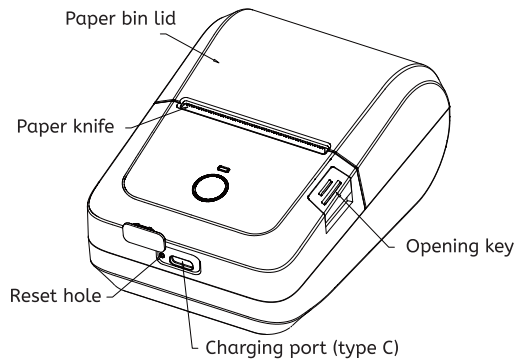
data cable (1 piece)



Instruction manual (1 copy)

02

Product schematic



03

Indicator specification

index	status	Instructions
green	Steady on	The printer is in normal standby state
red	Steady on	Abnormal phenomenon, including but not limited to TPH overheating, paper shortage
red	Slow flash	Low battery
orange	Steady on	The printer is undergoing firmware upgrade
blue	flicker	Bluetooth is in error state
blue	Steady on	Bluetooth is connected (without fault)

04

Basic usage and Settings

1. Turn on the printer

Press and hold the power button for 2 seconds to turn on the printer.

2. Feed paper

Press the Power/Settings button twice and will print self-check page.

Label paper: The label paper can be printed out from the printer and located in the middle seam between labels, then can be cut off along the seam.

Black label paper: Tear the label along the black mark.

Continuous paper: Send 10mm paper.

3. The printer can detect the "paper shortage" status.

In this case, the printer does not work.

4. Low battery

The printer has low power detection function, when the printer power is low, the indicator light flashes red and alarming.

5. Bluetooth connection

When the Bluetooth is connected, the App will display the corresponding instructions.

6. Power indicator

When the power adapter is plugged in, the red light is on.

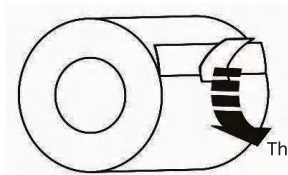
7. Cancel the printing

Pressing the power button 3 seconds at least or operate the cancel in the app.

05

Consumable installation

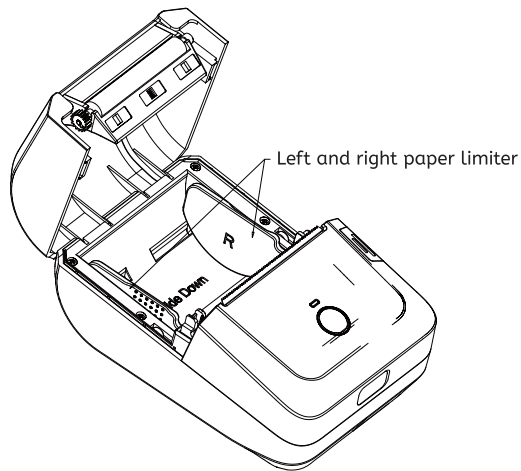
Step 1: peeling off the sticker.



The paper keep upward

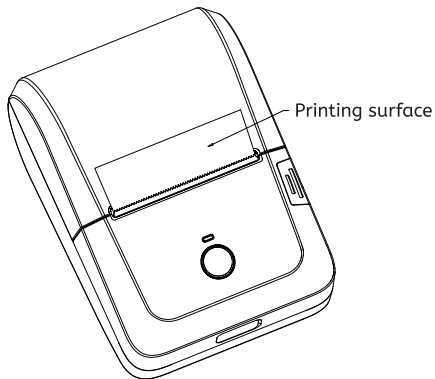
Step 2: Press the cover button to open the paper bin cover.

Step 3: Push the paper limiter left and right to the appropriate width of the current paper and place the paper.



Note: After loading the paper, the paper limiter must be adjusted to the same width of the paper to avoid printing issues.

Step 4: Load the paper so that the print surface faces the print head. Close the lid



Note: If the paper is reversed, the printer will print blank space.

06

Roller cleaning

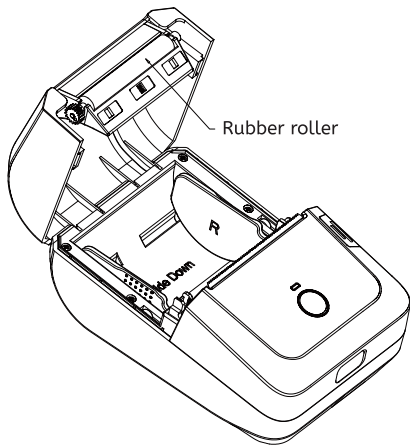
Clean the roller if any of the following problems occur

- Fuzzy printing
- Abnormal noisy when feeding paper
- Glue residue or dust on the roller.

Cleaning procedure:

- Turn off the printer;
- Wait for the roller to cool completely after printing. Open the lid and find the glue Roller (see figure);

Note: If the paper is placed in reverse, the printer will not respond.



- Remove dust or stains with alcohol cotton balls
- Wait 5-10 minutes to make sure the alcohol has evaporated before closing the lid.

07

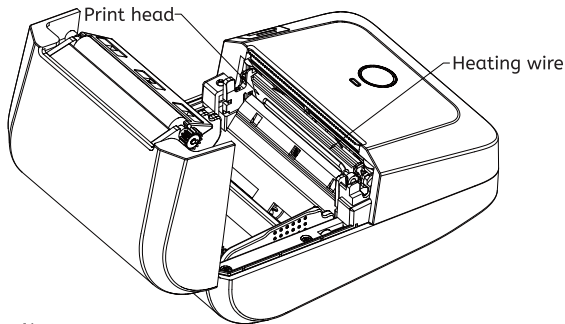
Clean the print head

Clean the print head if any of the following problems occur:

- Fuzzy printing
- Abnormal noisy when feeding paper
- Glue residue or dust on the print head.

Cleaning procedure:

- Turn off the printer
- Wait for the print head to cool completely after printing. Open the lid and find the print head;
- Clean dirt or smudges with an alcohol cotton ball or a special printer cleaning pen.



Note:

- Turn off printer before cleaning.
- Avoid touching the print head with your hands or metal. Do not scratch the print head, roller, or sensor surface with tweezers or similar objects.
- Do not clean the print head or roller with organic solvents such as gasoline or acetone.
- Make sure the alcohol has evaporated before running the printer.

08

Troubleshooting guide

1. The printer only feeds paper, does not print content.
 - ① Check whether the printing paper is backloaded!
If not, print the self-test page and check.
 - ② If the self-test page cannot be printed, it indicates that the printer is faulty.
If the self-check page is correct, check the paper or application.
2. Printing blurry
 - ① Check the default print density for the best print results.
 - ② If you print horizontal lines or can only print part of the content, check and see if the print head is contaminate and clean with alcohol.
If the print quality, please use the original paper series instead.

3. Accidentally feed paper or stop the printing job after 200 mm of paper feed
If no paper gap is detected after delivery of 200mm paper, there are two possibilities

- ① When there is a cracking noise, the printing paper is used up.
Please fill it up again.
- ② If there is no noise, open and close the cover before restarting. If the problem persists, the printer is malfunctioning

4. A paper shortage error message is displayed

- ① Check whether the printer is out of paper.
- ② If not, make sure the cover is locked correctly

5. Printing stops unexpectedly

In order to ensure the reliability of the printer, multiple protection instructions are designed. The printer will stop working due to lack of paper, data errors, excessive temperature, or low battery power. Follow the prompts on the application to analyze the problem

09

Software download

Start your new label printing experience in two steps.

1. Download the app
2. Open the lid and put in the consumables

Method 1: Scan code to download



Method 2: Search in App Store(Android version) or App Store(IOS version) to download Joyprint

This device complies with part 15 of the FCC Rules. Operation is subject to the following two conditions: (1) this device may not cause harmful interference, and (2) this device must accept any interference received, including interference that may cause undesired operation.

Any changes or modifications not expressly approved by the party responsible for compliance could void the user's authority to operate the equipment.

NOTE: This equipment has been tested and found to comply with the limits for a Class B digital device, pursuant to Part 15 of the FCC Rules. These limits are designed to provide reasonable protection against harmful interference in a residential installation. This equipment generates, uses and can radiate radio frequency energy and, if not installed and used in accordance with the instructions, may cause harmful interference to radio communications.

However, there is no guarantee that interference will not occur in a particular installation.

If this equipment does cause harmful interference to radio or television reception, which can be determined by turning the equipment off and on, the user is encouraged to try to correct the interference by one or more of the following measures:

- Reorient or relocate the receiving antenna.
- Increase the separation between the equipment and receiver.
- Connect the equipment into an outlet on a circuit different from that to which the receiver is connected.
- Consult the dealer or an experienced radio/TV technician for help.

The device has been evaluated to meet general RF exposure requirement. The device can be used in portable exposure condition without restriction