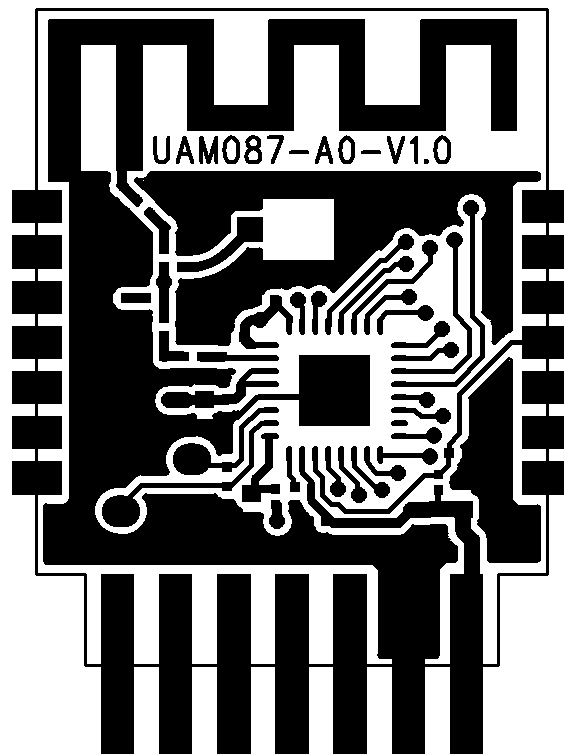
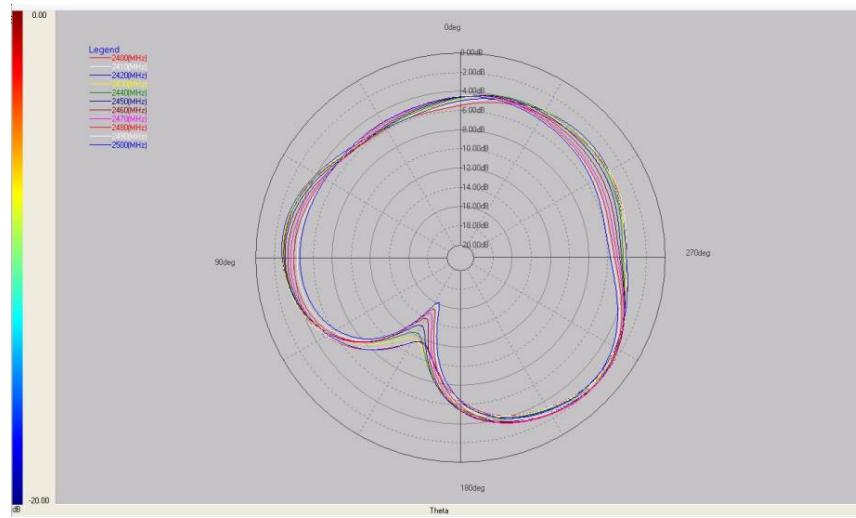


1. Antenna Specification

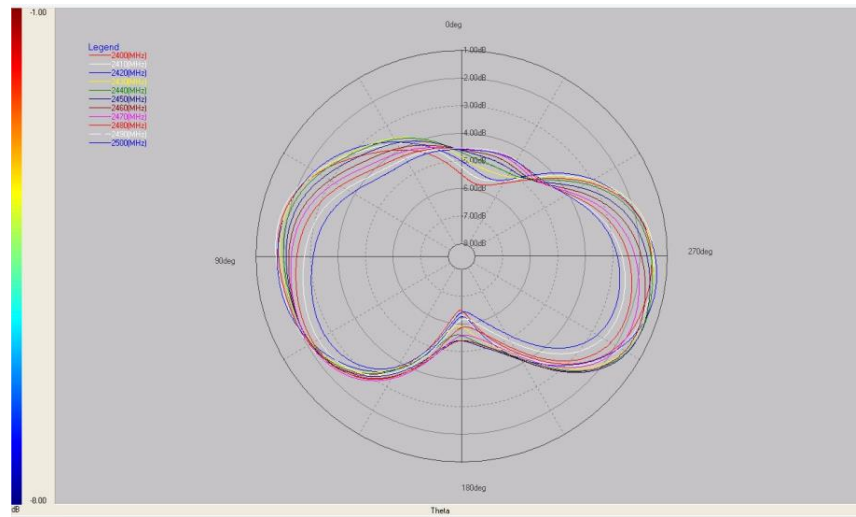
Item	Specification
Working Frequency Range	2.4-2.5GHz
Max PK Gain	2400MHz:-1.3dBi 2450MHz:-1.3dBi 2500MHz:-1.3dBi
VSWR	2.0 Max
Polarization	Linear
Type	PCB
Impedance	50Ω
Model Number	087Antenna
Manufacturer	Shenzhen Uascent Technology Co.,Ltd
Manufacturer Address	2101, Zhongxing Hotel , No. 19, Xinghua 1st Road, Xin'an Street, Bao'an District, Shenzhen, China.



Phi=0



Phi=90



Theta=90

