

SPECIFICATION FOR AP PROVAL

client:
CUSTOMER: _____

Customer Material
 Number:
CUSTP/N: _____

Soft Material No. :
BESOFTP/N: _____

product model: **Φ20.5x40-11 Ts-0.08x72P-10 mm**
DESC: _____

date: **2024/10/31**
DATE: _____

edition: **A.0**
Version: _____

fiction PREPARED BY	examine and verify CHECKED BY	ratify APPROVED BY	Customer acknowledges CUSTOMER APPROVE
Feng Boqun	Su Yanping	Qian Lizhi	

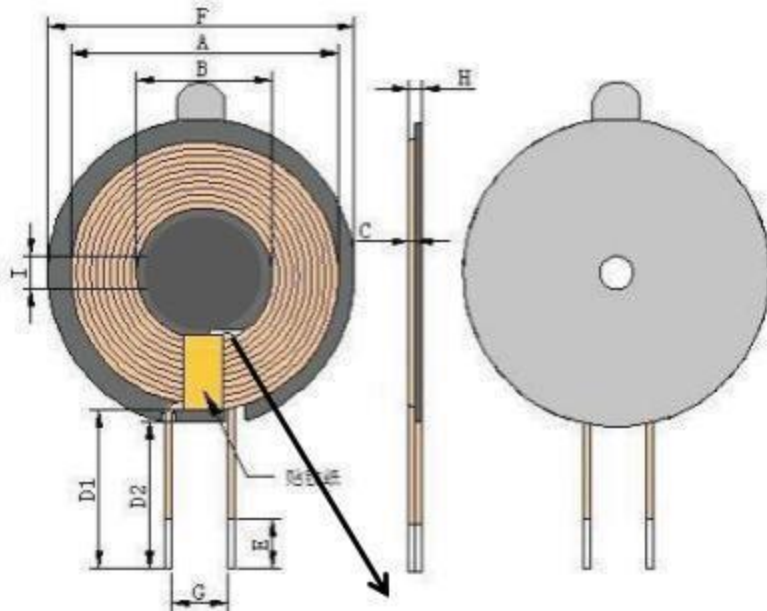
Shenzhen Tao Soft Electronics Co., LTD

Factory address: No.702, Building 1, shijia Old Village, Shijia
 Community, Matan Street, Guangming District, Shenzhen
TEL: 138 2488 3512

SPECIFICATION

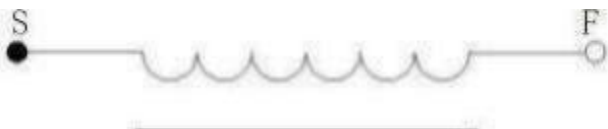
product model: DESC	● 20.5x40-11 Ts-0.08*72-10 mm-CLB	edition Rev: A0	client CUST : Tao Soft Material No. Fine P / N : Customer Material number CUST P / N :
------------------------	-----------------------------------	--------------------	--

1. Dimension DIMENSION : (mm)



Middle 18 * 1.0 small magnetic piece

2. Schematic diagram of the SCHEMATIC DIAGRAM :



3. Winding parameter Winding Specification :

A	40.0 ± 1.0
B	20.5 ± 0.5
C	0.7 ± 0.05
D1	12 ± 2
D2	10 ± 2
E	3-5 mm
F	42.5 ± 0.5
G	8.0 ref
H	2.0 ± 0.2 Max
I	5.0 ref

- pour :
1. Ccoil coil, chip size
42.5 ± 0.5 mm, 5.0 mm inside, 0.8 ± 0.1 mm thick, L slot
 2. The winding width of the coil outlet position
6 mm ± 0.5 high-temperature adhesive tape.
 3. The back of the magnetic sheet is attached with a circular diameter of 42mm (ref), and the inner hole of 7.0 mm (ref) ordinary double-sided tape.

NO	TERMINAL	WIRE	Turns	Winding Direction
1	S F	Hot air line 0.08 * 72P	11Ts	CCW

4. Electrical characteristics ELECTRICAL CHARACTERISTICS :

Temperature TEMPERATURE : 25 ± 10 ° C, humidity RELATIVE HUMIDITY : 65 ± 20%

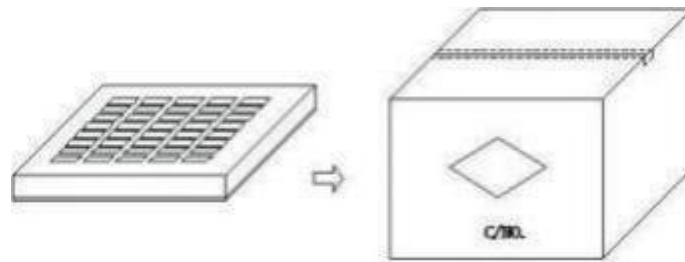
NO	ITEM	TERMINAL	SPECIFICATION	TEST FREQUENCY	TEST EQUIPMENTS
1	IND.	S-F	And 5.5 uH ± 20% individual coils	100KHz/1.0V	LCZ METER1062B

2	IND.	S-F	8.0 uH ± 10% with magnetic chip	100KHz/1.0V	LCZ METER1062B
3	Q price	S-F	90.0 (ref) plus magnetic	100KHz/1.0V	LCZ METER1062B
4	DCR	S-F	≤90m Ω		LCZ METER502 B
File / date PREPARED BY / DATE			Review / Date CHECKED BY / DATE		
Feng Boqun 2024 / 10 / 31			Su Yanping, 2024 / 10 / 31		

SPECIFICATION

product model: DESC	o.20.5x40-11 Ts-0.08x72-10 mm- CLB	edition Rev: A0	client CUST : Tao Soft Material No. Fine P / N : Customer material number CUST P / N :
-------------------------------	------------------------------------	--------------------	--

5. Packaging PACKONG :
5.1 Packaging picture Packing pictures:



5.2 Packaging quantity and specification Packing Quantity:

project Item	Quantity Quantity	Material specification : Material	
box Box	350 Pcs	370*265*55 mm	
Box of Big Carton	1400 Pcs	390*270*245 mm	

5.3 The packaging shall be based on the existing packaging plate as the reference standard, and the actual shipping packaging shall prevail. If there are special requirements, it can be customized.

The packaging shall be based on the existing packing plate and the actual delivery package shall prevail. If there is any requirement, we can customize it.

Vi. List of Materials Material list :

order number number	Material name Material name	Product name description Description	manuf actur er Manufacturer
1	Hot air line 0.08 * 72 strands	Hot air self-adhesive line of 0.08 * 72 strands	Dongguan Jinjieyuan Electronic Materials Co., Ltd
2	No lead tin strip	No lead tin strip	Shenzhen Daoqin Tin Industry Co., LTD
3	magnetic sheet	Φ 42.5 * 5.0 * 0.8 mm manganese-zinc hard magnetic sheet	Guangzhou Ruijing New Material Technology Co., LTD
4	glue	201 Glue	Dongguan Feiquan Electronic Materials Co., LTD
5	High temperature rubber paper	6 mm wide high-temperature adhesive paper	Dongguan Zhixing Tape New Material Co., LTD

6	Double-sided glue with holes	Tear circular diameter 42 mm (ref) back glue with hand	Shenzhen Hongweida Technology Co., LTD
File / date PREPARED BY / DATE		Review / Date CHECKED BY / DATE	
Feng Boqun 2024 / 10 / 31		Su Yanping, 2024 / 10 / 31	