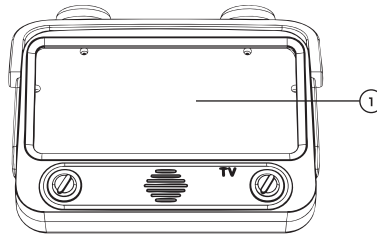


User Manual

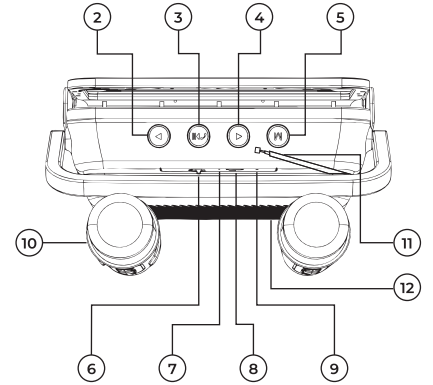
KTV
Retro Karaoke
TV Speaker



OPERATION GUIDE

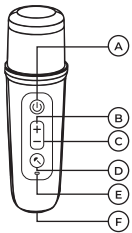


- ① Smartphone Holder
- ② Next / Volume +
- ③ Play / Pause
- ④ Previous / Volume -
- ⑤ Mode
- ⑥ On / Off Switch



- ⑦ LED Indicator
- ⑧ Charging Port
- ⑨ Microphone
- ⑩ Mic Holder
- ⑪ FM Antina
- ⑫ Speaker

KARAOKE MIC OPERATION AND BUTTON GUIDE



- A On / Off Switch
- B Volume Up
- C Volume Down
- D AI Voice
- E LED Indicator
- F Charging Port

| | | |
|---|----------------|--|
| ⏻ | Power Button | Long press to power on/off Short press to turn off the microphone (Mic will automatically pair with the speaker when its turned on) |
| + | Volume + | Short press to increase volume Long press to go to the next song |
| - | Volume - | Short press to Decrease volume Long press to go to the previous song |
| 🔄 | Magic Mic Mode | Short press to toggle between AI voices Long press to remove the vocals |



2 x Karaoke Mic



Vocal Cancellation



Smartphone Holder



No Phone Slip Design



Easy Carry Handle



AI Magic Voice Changer



Male



Female



Monster



Baby

HOW TO USE KTV KARAOKE SPEAKER

For best performance, please charge the speaker and mic for at least 2 hours before using it.

SPEAKER OPERATION AND BUTTON GUIDE

| | | |
|---|-------------------|--|
| Ⓜ | Mode | Short press to switch BT/Radio Long press for TWS mode Double press to instantly unpair |
| ⏪ | Previous/Volume - | Short press to go to previous song Long press to decrease volume |
| ⏸ | Play/Pause | Short press to play/pause music Long press to remove the vocals Short press to search when in radio mode |
| ⏩ | Next/Volume + | Short press to go to next song Long press to increase volume |

SPECIFICATIONS

- Wattage: 5W
- Speaker Voltage: 5V 1A
- Microphone Voltage: 5V 0.5A
- Charging Type: USB-C
- Wireless Version: 5.3v
- Driver Size: 57mm
- Signal to Noise Ratio: >90db
- Frequency Range: 20Hz - 20KHz
- Radio Frequency: 88-108MHz

This device complies with part 15 of the FCC Rules. Operation is subject to the following two conditions: (1) This device may not cause harmful interference, and (2) this device must accept any interference received, including interference that may cause undesired operation.

Any Changes or modifications not expressly approved by the party responsible for compliance could void the user's authority to operate the equipment.

Note: This equipment has been tested and found to comply with the limits for a Class B digital device, pursuant to part 15 of the FCC Rules. These limits are designed to provide reasonable protection against harmful interference in a residential installation. This equipment generates uses and can radiate radio frequency energy and, if not installed and used in accordance with the instructions, may cause harmful interference to radio communications. However, there is no guarantee that interference will not occur in a particular installation. If this equipment does cause harmful interference to radio or television reception, which can be determined by turning the equipment off and on, the user is encouraged to try to correct the interference by one or more of the following measures:

- Reorient or relocate the receiving antenna.
- Increase the separation between the equipment and receiver.
- Connect the equipment into an outlet on a circuit different from that to which the receiver is connected.
- Consult the dealer or an experienced radio/TV technician for help.

FCC Radiation Exposure statement

The device has been evaluatec to meel general RF exposure requirement. The device can be used in portable exposure condition without restriction.