

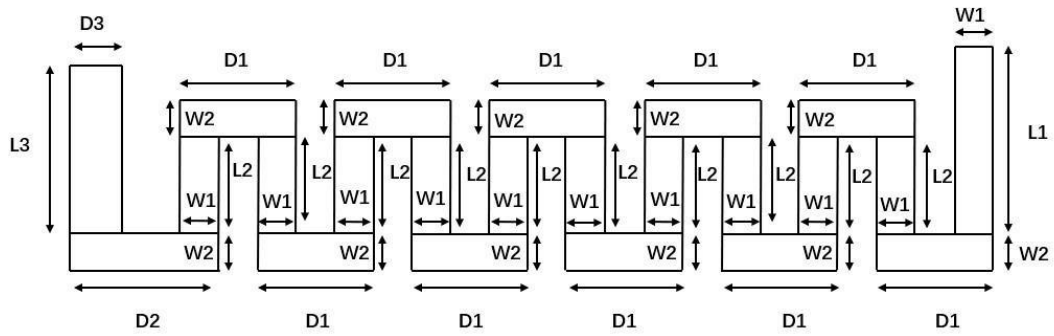
## Antenna describe

### 1. Antenna describe:

Antenna plate	PCB ANTENNA
Make name/model name	PDT-002
Antenna gain	0dBi
Frequency range	2.4GHZ-2.483GHZ
Connector type	direct
Manufacturer Name:	DONGGUANG XIAOKE INDUSTRIES.CO.,LTD
Manufacture Address:	NO. 227, DONGCHENG SECTION, GUANDONG ROAD, DONGCHENG STREET, DONGGUAN CITY,CHINA

### 2. External view drawing:

## Picture of antenna



Antenna Dimensions

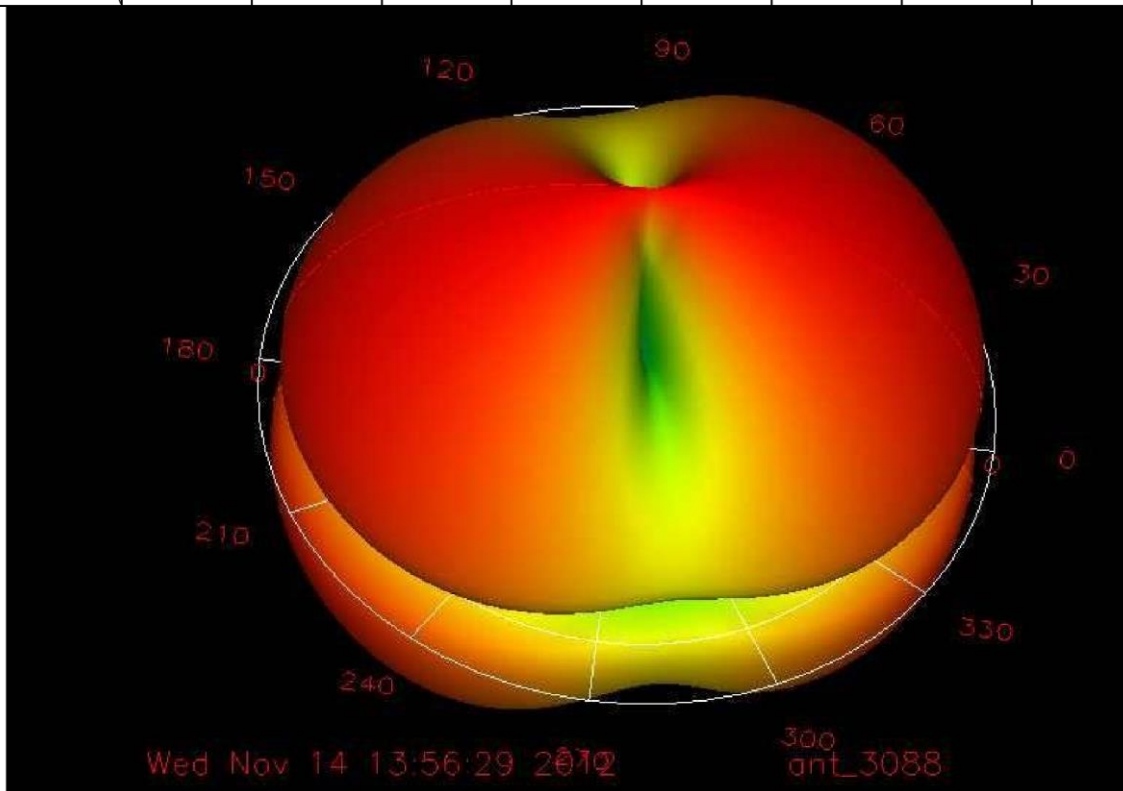
L1	2.15 mm
L2	1.20 mm
L3	1.95 mm
W1	0.35 mm
W2	0.35 mm
D1	1.25 mm
D2	1.65 mm
D3	0.50 mm

### 3. Antenna Radiation Pattern

Radiation pattern@2.402GHZ

Total Average Gain:-0.475dbi

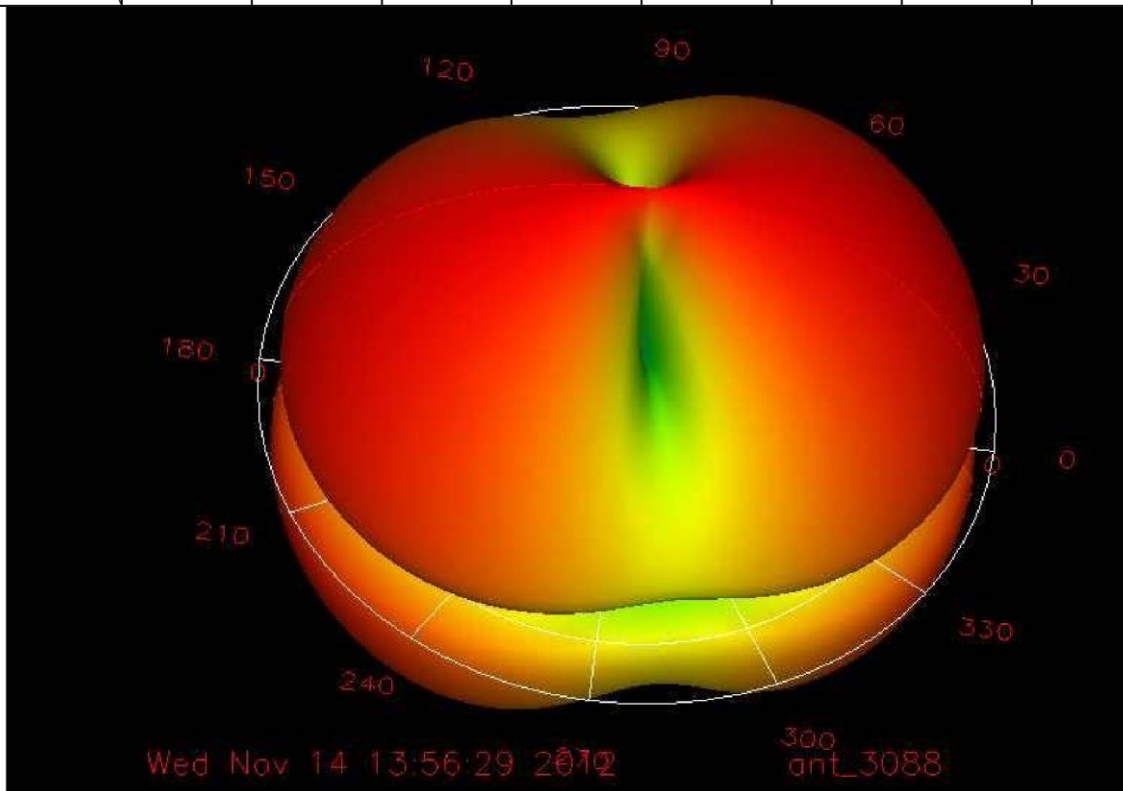
Phi	0	45	90	135	180	235	270	315
Gain	-0.2	-0.3	-0.8	-0.5	-0.2	-0.5	-0.8	-0.5



Radiation pattern@2.441GHZ

Total Average Gain:-0.275dbi

Phi	0	45	90	135	180	235	270	315
Gain	0	-0.2	-0.4	-0.6	-0.1	-0.3	-0.6	-0.4



Radiation pattern@2.480GHZ

Total Average Gain:0dbi

Phi	0	45	90	135	180	235	270	315
Gain	0	-0.1	-0.2	-0.5	0	-0.3	-0.6	-0.2

