

Zoomix 使用说明书

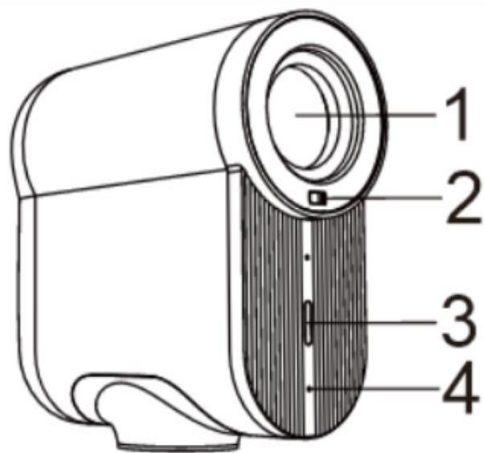
1 Product Overview

Zoomix is a wireless live streaming camera with 3x optical (3x digital) zoom capability. It features a built-in 9000mAh lithium battery with battery life over 6 hours.

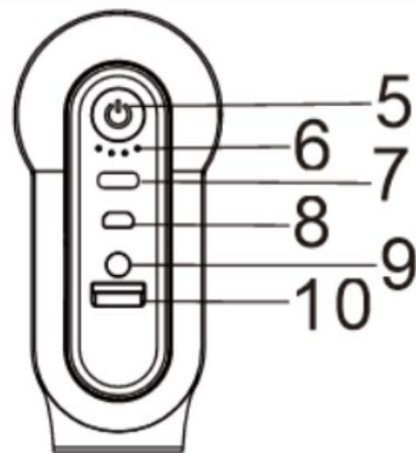
Zoomix can be powerful for your video creation. It can do:

- Video streaming output via HDMI and USB;
- Wireless video streaming output using NDI or RTMP;
- Direct stream video with Zoomix App to platforms such as Twitch, YouTube, Facebook Live, Twitter, or a custom RTMP address;
- Store the video into an SD card.

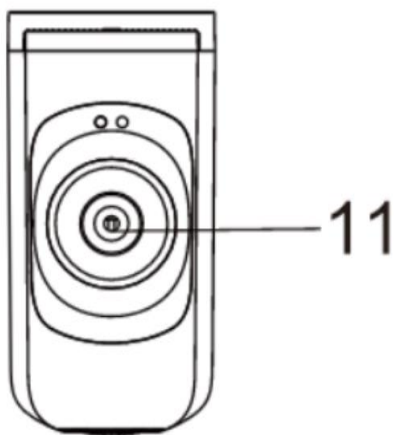
2 Product Components



Oblique Axonometry



Rear View



Upward View

Num	Interface/Part	Num	Interface/Part
1	Lens	7	USB-C
2	TOF	8	Micro_D HDMI
3	Tally lamp	9	Line-in
4	mic	10	SD Slot
5	Power Button	11	Tripod Socket
6	Battery Indicator		

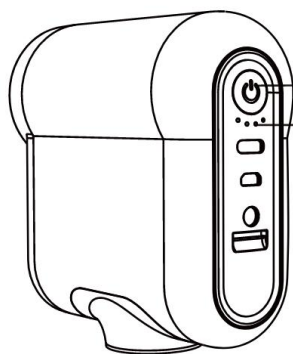
3 Operations

3.1 Power On/Off

Power On: Long press the power button for 3 seconds when the camera is off;

Power Off: Long press the power button for 3 seconds when the camera is on;

Note: There will be a "do re mi" sound prompt when powering on and off.

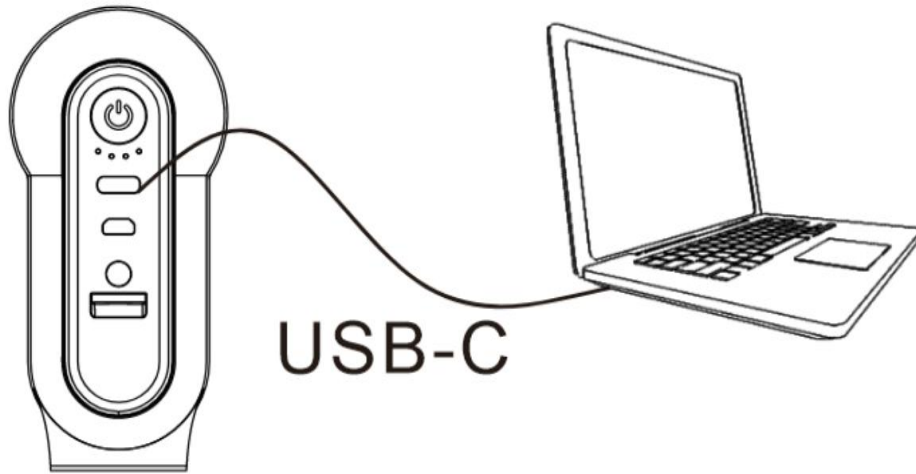


Press the button for 3 seconds (Power on/off)

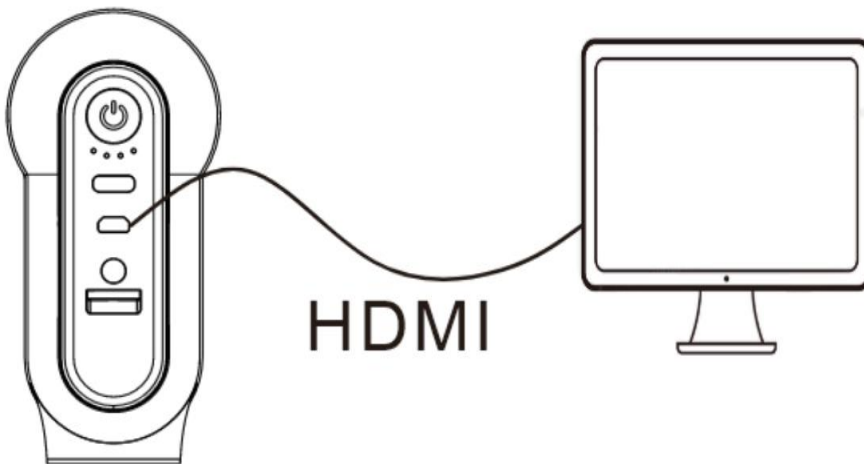
The 4 LED lights do not flash
in cycles and device starts

3.2 For Wired Device

After startup, the USB CAMERA and HDMI are automatically enabled by default, allowing for direct use. A diagram illustrating the USB-C connection is provided below :



HDMI connection diagram is as follows :



3.3 As Wireless Device

3.3.1 Network Setup

- Open the Zoomix App.
- On the device control page, click on the '+' icon.
- If you are using it as a network camera, select 'WIFI streaming mode.'
- Enter the WiFi username and password.
- Click on the device in the available list and wait for the network setup to complete.
- Proceed to the next step to enter the video preview and control page; network setup is now complete.

VIDEO1 : [Zoomix App Network Setup](#)



3.3.2 As an NDI camera

Enable the NDI function for the corresponding Zoomix Camera through the Zoomix App. You can then use recording and broadcasting software that supports the NDI protocol to discover your Zoomix.

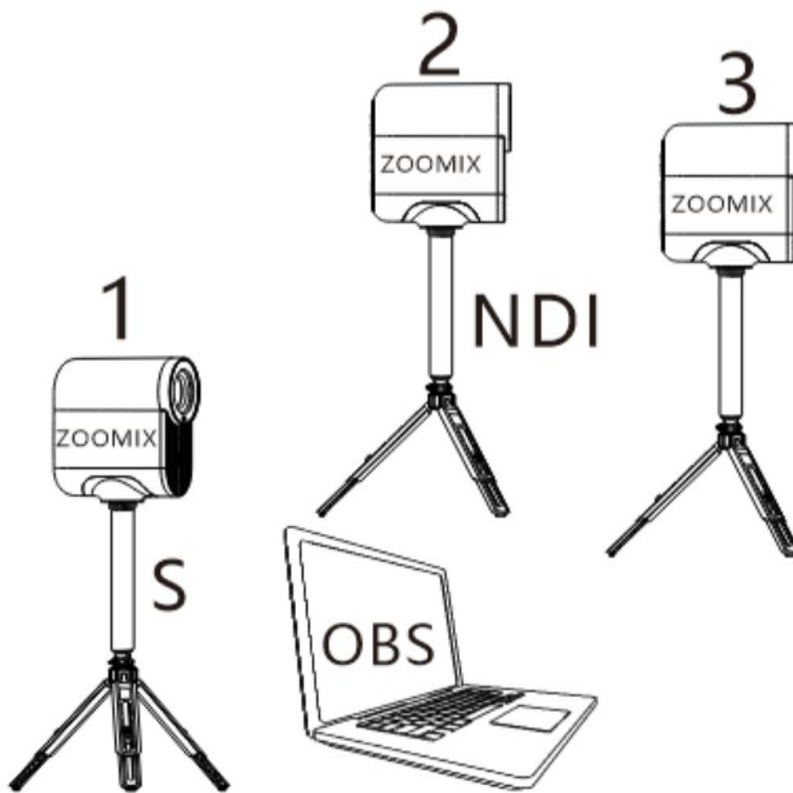
VIDEO2 : [Using the NDI plugin in OBS to access three Zoomix devices and achieve streaming](#)



3.3.3 As an SRT camera

After opening the SRT stream for the corresponding Zoomix Camera through the Zoomix App and configuring the relevant parameters, you will obtain an SRT address. You can then use recording and broadcasting software that supports the SRT protocol to discover your SRT video stream.

VIDEO3 : [OBS streaming by connecting to three Zoomix devices via SRT](#)



3.3.4 Streaming by Zoomix App

You can use the Zoomix App to achieve live streaming. The video stream can be pushed to platforms like Facebook Live, YouTube, and can also be sent to a custom RTMP address.

VIDEO4 : Streaming by Zoomix App



3.4 Save to SD card

When an SD card is installed, double-click the power button to initiate recording. During recording, double-clicking the power button again to stop the recording. Alternatively, you can use the Zoomix App to start or stop SD card recording.

VIDEO5 : [Save to SD card](#)



3.7 Battery Charge and Discharge

Through the USB-C interface, the battery can be charged. When using a 5V/2A adapter, it takes about 4.5 hours to full charge. With a full battery, the device can stream at 1080P/30 resolution for over 6 hours.

3.8 AI

3.8.1 Gesture Recognition

In front of the camera, the following gestures can zoom in or out the camera.



Zoom in



Zoom out

4 Buttons and Indicators

4.1 Button Actions

Actions	Fuc	Buzzer	Front Panel LED	Back Panel LED
Long press	Power On/Off	do re mi/mi re do	<ul style="list-style-type: none"> • Power On: White breathing light. • After Power On: Display WiFi and App connection status. • Power Off: White light flashes three times, stays lit for one second, then turns off. 	<ul style="list-style-type: none"> • Powering On: Sequential lights while booting up. • After Power On: Constant light indicating battery level. • Power Off and Charging: Breathing light indicating battery level.

Double Click	SD Card Recording /Stop	di di /di	Displaying WiFi and App Connection Status	Double Blinking Overall/Single Blink Overall
--------------	-------------------------	-----------	---	--

4.2 Indicator Status

Status	Front Panel LED	Rear Panel LED
Upgrade	No display	Status indicator during upgrade/No status after upgrade (device is in power-off state)
Not Connected to App	Green breathing	Constant display of battery level
Connected to App	Steady green	Constant display of battery level
SD Card Recording	Blinking yellow	Constant display of battery level
Adjusting zoom level	The color indicating the current device status is rapidly flashing	Constant display of battery level
Live Streaming via Zoomix App	Steady red	Constant display of battery level
Power On Charging	Display current device connection status	Display of current battery level
Power Off Charging	No display	Breathing and display of battery level

5. Video Coding and Formats

5.1 Video Coding:

1. Control the video format through the app; streaming, NDI, SRT, and SD card share one encoder. Setting a resolution for one will result in the other three adjusting accordingly. HDMI can independently control the video format.
2. UVC video formats can be adjusted using UVC software.

5.2 Video Formats

Source	Channels	Resolutions	Formats	Audio Format
HDMI	1	4KP30, 1080P30, 720P30	YUV444	PCM
USB Camera	1	YUY2: 1080P30, 720P30, 360P30 H.264/MJPEG: 4KP30, 1080P30, 720P30, 360P30	YUY2 MJPEG H.264	PCM
Network Streaming	1	4KP30, 1080P30, 720P30, 360P30	H.264	AAC Compression
SD Card	1	Same as network Streaming	H.264	AAC Compression

Resolution Mutual Exclusivity	When HDMI is at its maximum resolution	When USB Camera is at its maximum resolution	When network streaming is at its maximum resolution
HDMI	4KP30 ✓	4KP30 ✗	4KP30 ✗
USB Camera	YUY2: 1080P30 ✗ H.264/MJPEG: 4KP30 ✗	YUY2: 1080P30 ✓ 或者 H.264/MJPEG: 4KP30 ✓	YUY2: 1080P30 ✗ H.264/MJPEG: 4KP30 ✗
Network Streaming	4KP30 ✗	4KP30 ✗	4KP30 ✓

SD Card	Same as network Streaming	Same as network Streaming	Same as network Streaming
---------	------------------------------	------------------------------	------------------------------

Note: The table provides information on video sources, channels, supported resolutions, video formats, and audio formats for different input sources.

6. About Zoomix App

Scan the following QR code for direct download.

Zoomix app for Andoird
Zoomix)



Zoomix app for los (CA



7 F.A.Q.s

For more information, please scan the following QR code.

[F.A.Q.s](#)



8 Regulatory Information

FCC Information:

This equipment has been tested and found to comply with the limits for a Class B digital device, pursuant to Part 15 of the FCC Rules. These limits are designed to provide reasonable protection against harmful interference in a residential installation. This equipment generates, uses, and can radiate radio frequency energy and, if not installed and used in accordance with the instructions, may cause harmful interference to radio communications. However, there is no guarantee that interference will not occur in a particular installation. If this equipment does cause harmful interference to radio or television reception, which can be determined by turning the equipment off and on, the user is encouraged to try to correct the interference by one or more of the following measures:

- Reorient or relocate the receiving antenna.
- Increase the separation between the equipment and receiver.
- Connect the equipment into an outlet on a circuit different from that to which the receiver is connected.
- Consult the dealer or an experienced radio/TV technician for help.

This device complies with Part 15 of the FCC Rules. Operation is subject to the following two conditions: (1) This device may not cause harmful interference, and (2) this device must accept any interference received, including interference that may cause undesired operation.

Changes or modifications not expressly approved by the party responsible for compliance could void the user's authority to operate the equipment.

This equipment complies with FCC radiation exposure limits set forth for an uncontrolled environment. This equipment should be installed and operated with minimum distance 20cm between the radiator and your body.