

SPECIFICATION

for

GY-RX Antenna

Customer No.

Product No.

BBM04-GY-RX-AN-PCB/73.4*6.66*0.8/ROSH

Author: XiaofengZeng Review: Wenshihao

Release Date: 2022.11.05

ShenZhen yixin Electronic Technology Co., Ltd

**1212, Block A, Huafeng Headquarters Economic Building, 288 Xixiang
Avenue, Xixiang Street, Bao'an District, Shenzhen**

E-mail: 1791995010@qq.com

Tel: 17898458992

Contents

SPECIFICATION	1
SHENZHEN YIXIN ELECTRONIC TECHNOLOGY CO., LTD	1
CONTENTS	2
1. BILATERAL CONFIRMATION PAGE	3
2. GENERAL	4
3. GENERAL PRODUCT SPECIFICATIONS	4
4. SPECIFICATION DETIALS	5
4.1 MECHANICAL PROPERTIES	5
4.2 ELECTRIC PERFORMANCE	7
5. PRODUCT PACKAGING	9
6. DOCUMENT RESUME	10

1. Bilateral Confirmation page

1.1 Customer signature

Customer: Woan Technology (Shenzhen) Co., Ltd

Seapartment/post	Sign	Date
Hardware Engineer/RD		
Mechanical/MD		
Project Manager/PM		
Commercial/Puchasing		
Checker		

1.2 Signature of ShuoDian Technology company

Seapartment/post	Sign	Date
Antenna Engineer/RD		
Mechanical/MD		
Project Manager/PM		
QA		
Checker		

2. General

2.1 Scope of application

GY-RX-915 antenna


2.2 Operating temperature range

Temperature range of this product: -20 ~ +65 °C

2.3 Storage temperature range:

This product is stored at - 30 ~ + 75 °C

3. General product specifications

NO.	ITEMS	DETAILS
1	Type	GY-RX antenna
2	Operating Frequency Band	915MHZ
3	VSWR	≤2.0
4	Gain	1.0±0.5dBi
5	Radiation Efficiency	≥40%
6	Impedance	50Ω
7	Antenna Type	Dipole
8	Polarization mode	Linear polarization
9	Antenna composition	PCB
10	Entity Picture	

4. Specification Details

4.1 Mechanical Properties

4.11 Product Composition:

No.	Material	Size (MM)
1	PCB	73.38*6.66*0.8 green

4.12 Apperance

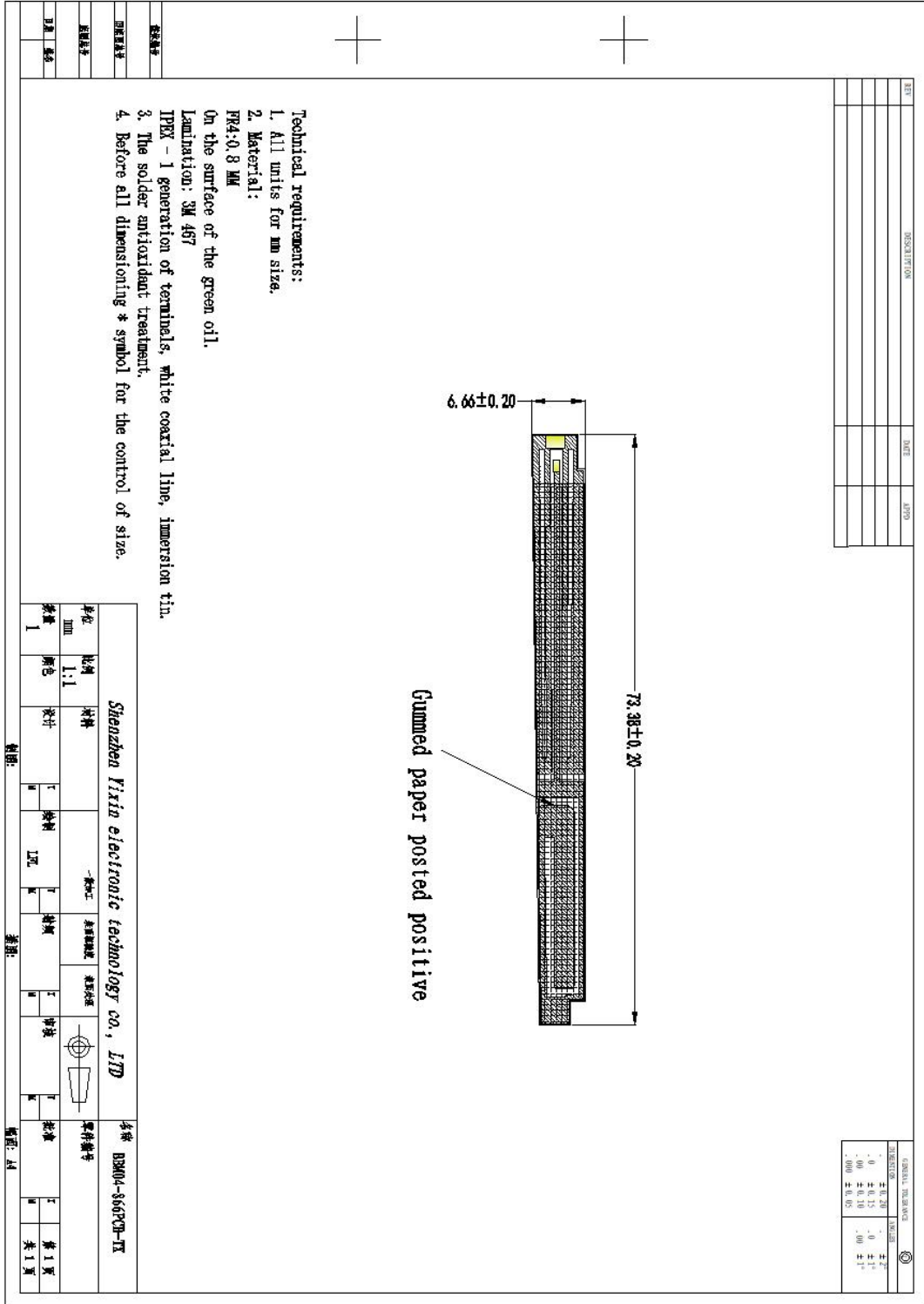
Good appearance without scars 、 dirt、 protuberances, etc.

4.13 Antenna Picture and Structure Dimension

Refer to product drawings:

Product drawings:

Product drawings:



4.2 Electric Performance

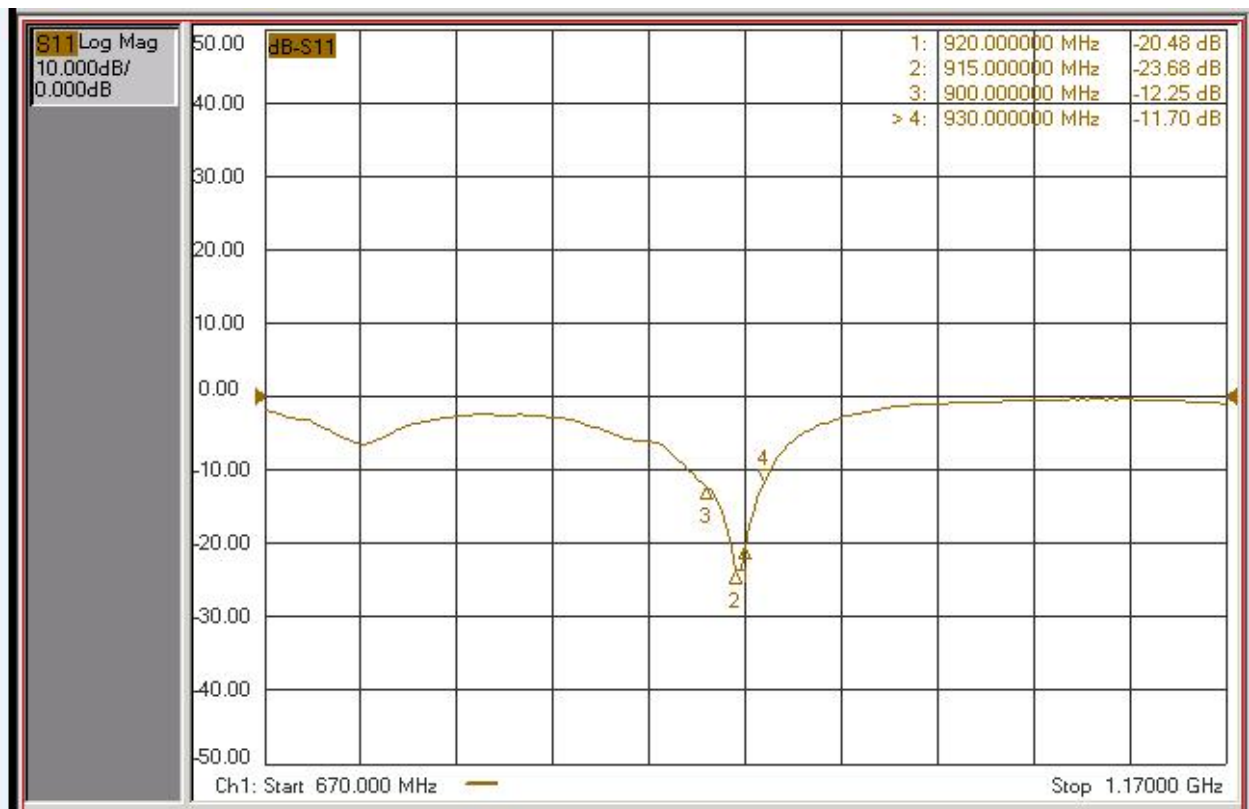
4.2.1 Test condition

Environment:		Equipment:	
Temperature:	10℃——+30℃	Network Analyzer:	Agilent E8358A
Humidity:	≤80% (+40℃)	Anechior Chamber:	ETS
Atmospher:	750mmkg±30mmkg		

4.2.2 Test Data for Electrical Performance:

4.2.2.1 S11 of the Antenna:

Marker	900MHz	915MHz	920MHz	930MHz
Returnloss	-12.25	-23.68	-20.48	-11.70
VSWR	1.63	1.13	1.20	1.70

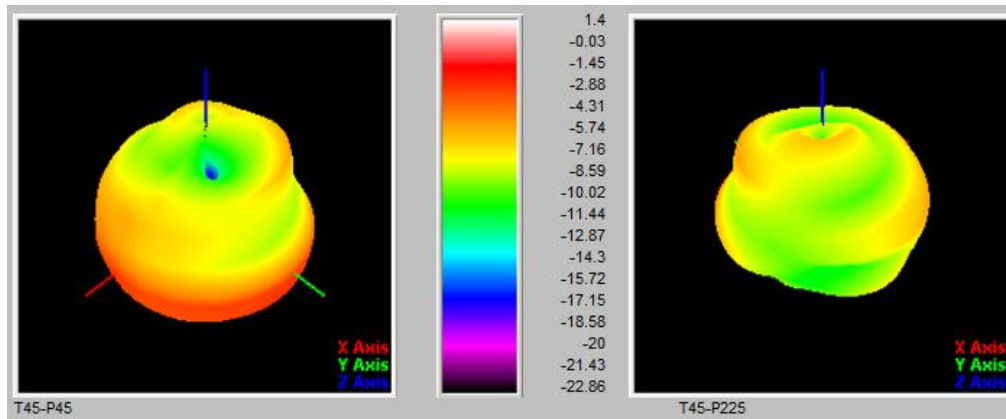




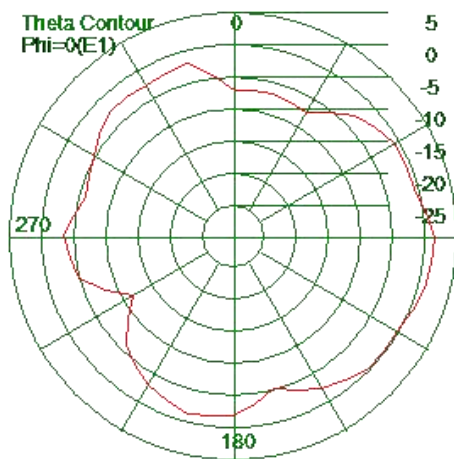
4. 22. 2 Passive gain、 efficiency and Radiation Pattern:

Freq. (MHz)	Gain (dBi)	Efficiency (%)
900	0.12	46.9
910	0.45	47.2
915	1.40	55.9
920	1.12	50.7
930	1.25	49.2

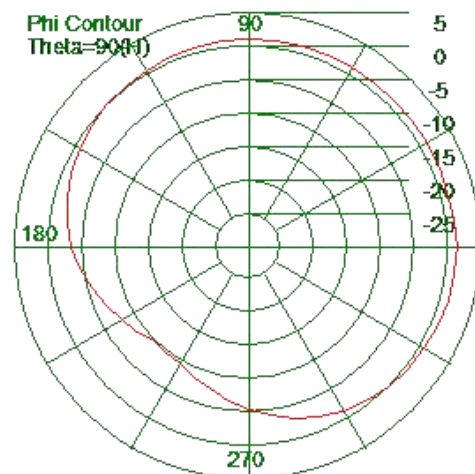
4.22.3 Radiation pattern of antenna, frequency: 915MHz



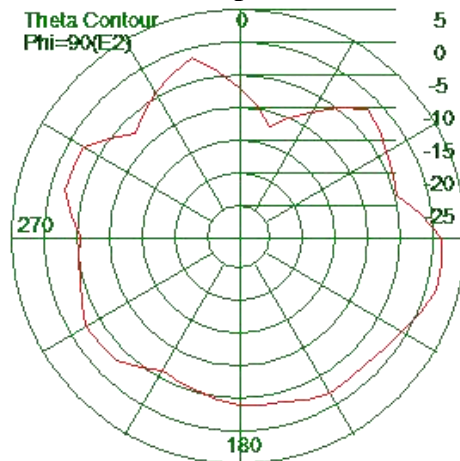
E1 plane



H plane



E2 plane



5. Product Packaging

Manner of packing:

Packed in self sealed bags, 200 pcs each.

6. Document Resume

Document No.	
Release Date	2022/11/05
Author	XiofengZeng
Review	WH

Revised History

Date	Version	Revised Record
2022/11/05	1.00	New Project