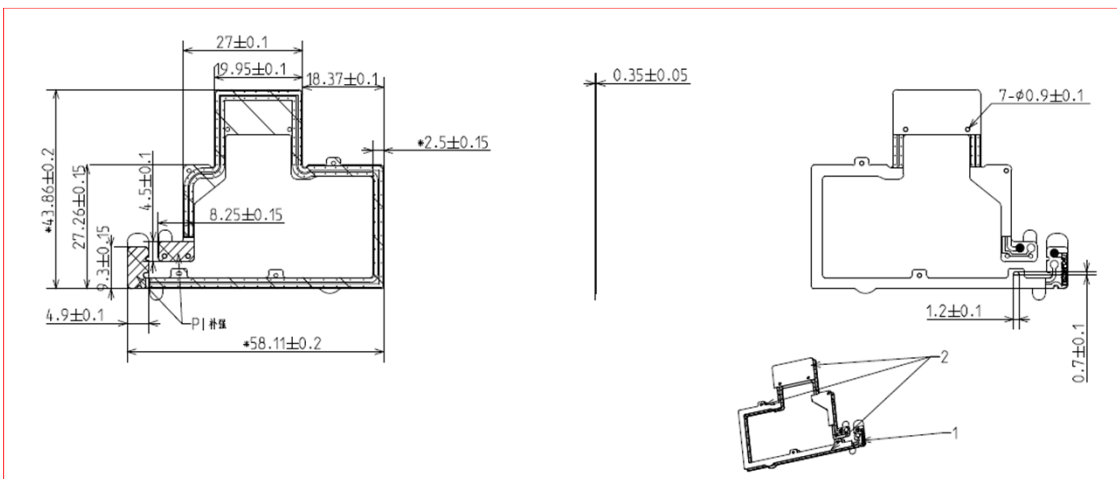


T1522 NFC Specification

General information

Manufacturer	Zhejiang Haitong communications electronic Limited by Share Ltd.
Address	1607 Binhai Road, Binhai Park, Wenzhou economic and Technological Development Zone, Zhejiang
Model Name	T1522_NFC_ASM
Date	2023-12-14
Version	A7

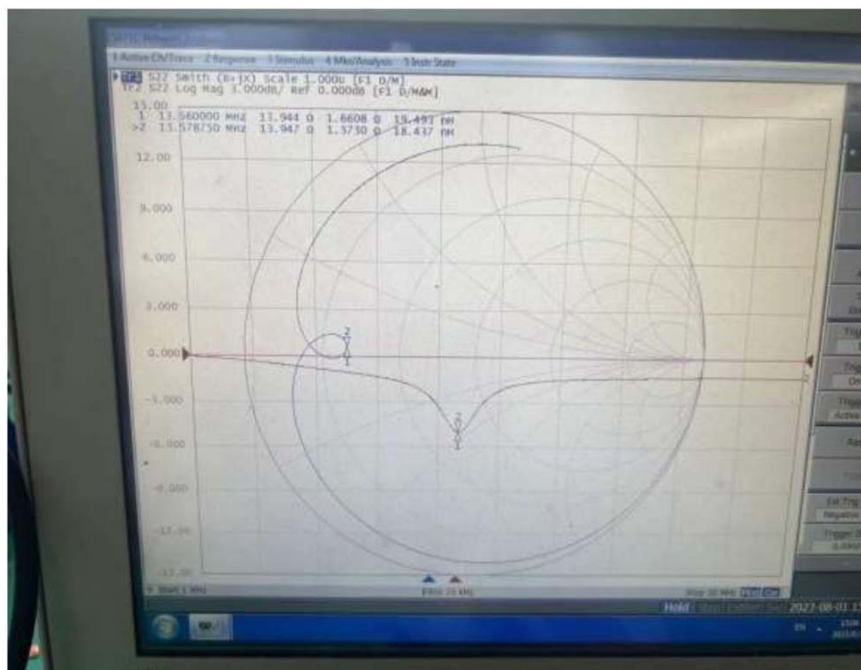
Antenna Appearance



Technical Specifications

Antenna Type	NFC
Dimensions	58.11*43.86mm
Impedance	13.9

Smith Chart



frequency (Mhz)	Impedance (Ω)
13.57	13.9

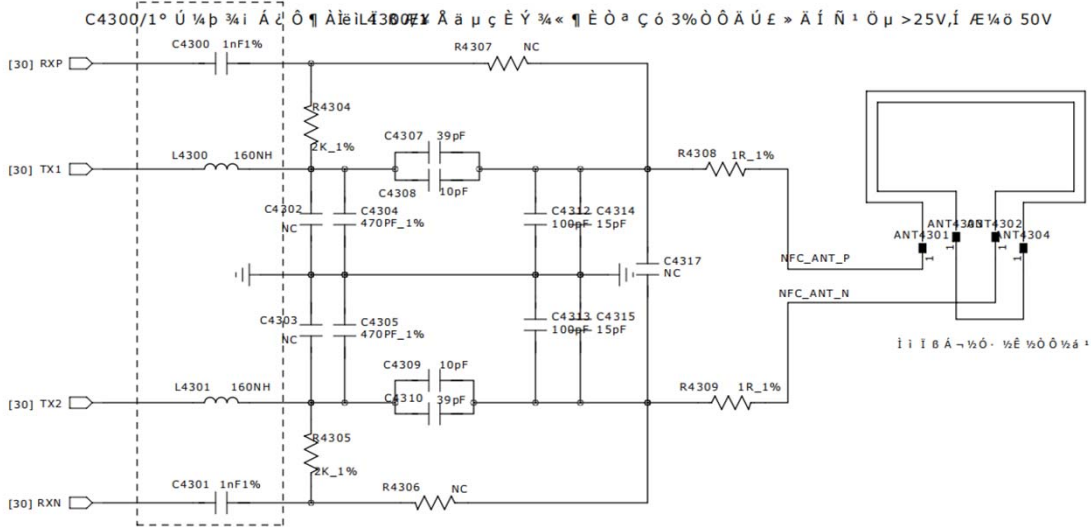
Test Data

A	25
B	20

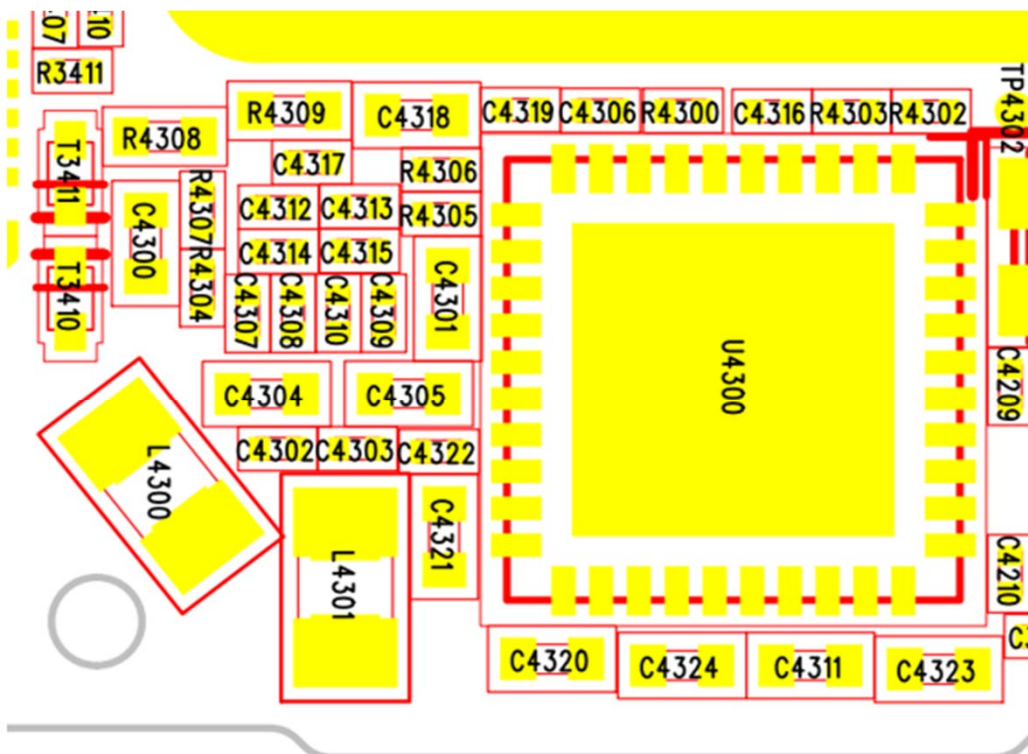
Matching

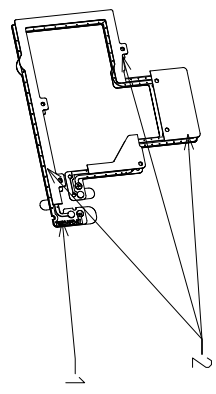
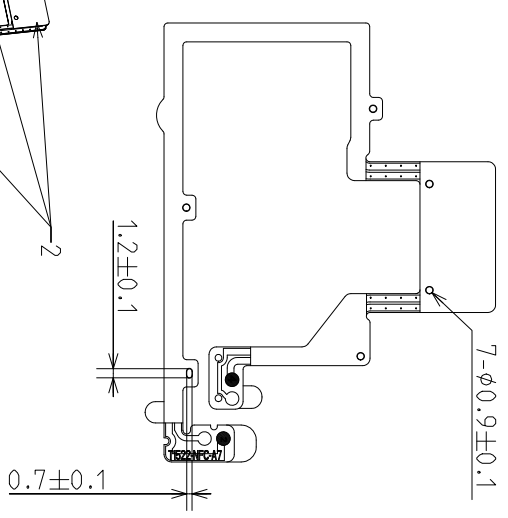
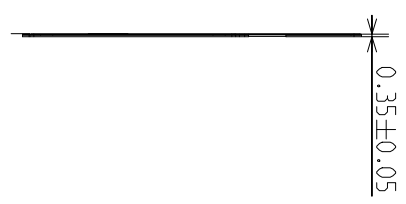
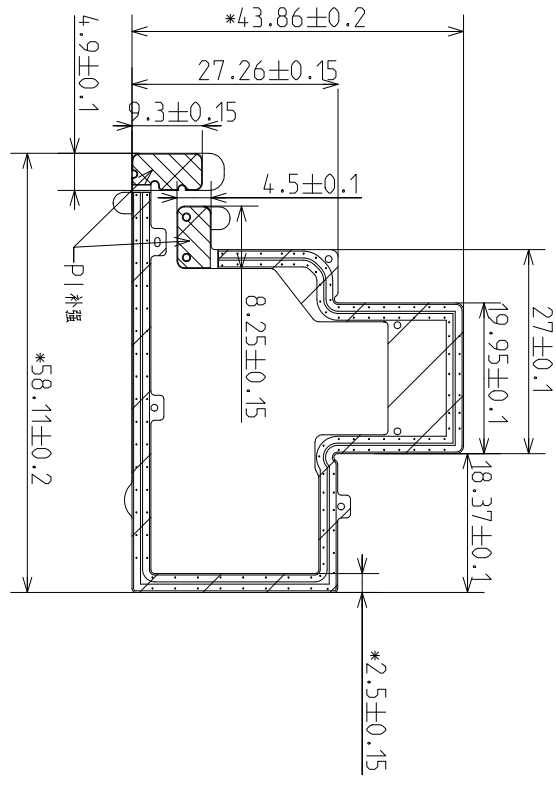
T1522		
C0	C4304	120pF
	C4305	120pF
	C4302	560pF
	C4303	560pF
C1	C4307	150pF
	C4310	150pF
	C4308	27pF
	C4309	27pF
C2	C4312	330pF
	C4313	330pF
	C4314	82pF
	C4315	82pF
L0	L4300	160nH
	L4301	160nH
Rx	R4304	2K Ω
	R4305	2K Ω
	R4306	NC
	R4307	NC

Circuit diagram



Tag diagram





比例 0.500

- 注:
1. 组件应当符合所有3D数据;
 2. 组件 参考操作图;
 3. 组装后无明显外观不良;
 4. 需通过AITONG品质部门要求各项测试;
 5. 零件标记 按指定位置;
 6. 尺寸要求:
 - 6.1. ST尺寸: 测量最小量为500中选取的任意35个产品的尺寸作Dk分析;
 - 6.2. * 尺寸为重点管控尺寸
 7. 首批样品: 随机挑选5PCS做全尺寸测量, 报告及样品需转递AITONG品质部;
 8. 任何用料上的修改必须通过T工程部门的书面同意;
 9. 产品必须符合(RoHS/HF/REACH)的要求;

10. 字符颜色	白色	
9. 油墨颜色	黑色亚光	10-15um
8. ED铜	0.5 OZ	24um
7. P1	1 MILL	45um(有胶)
6. ED铜	0.5 OZ	24um
油墨颜色	黑色亚光	NO
5. 双面胶		50
4. PET膜		10um
3. 铁氧体	黑色 FS150	120um
2. PET膜(双面胶)		50um
1. 离型纸	单片微粘纸包装	110um
LEVEL	DESCRIPTION	

NO TOLERANCE NOTED	
ONE PLACE	X . X ±0.15
TWO PLACE	X . XX ±0.10
ANGULAR DIM	X . ° ±1.0°
HOLE DIA	X . X ±0.10

项目名称:	T1522		
项目料号:	SH1495N_NFC_ASM		
APPD	HT样品码	B.110L.0038	
CHKD	HT#样品码		
DWN	零件编号	K5370000083LA	
SCALE 1:1	PAGE	REV A	
UNIT mm	SIZEA4	DRAWING NO:	

4	T1522_NFC_FER3	1	G.118L.0108
3	T1522_NFC_FER2	1	G.118L.0107
2	T1522_NFC_FER1	1	G.118L.0106
1	T1522_NFC_FPC	1	G.111L.0279
ITEM	PART NAME	Q'TY	REMARK

NHAIT 浙江海通通讯电子股份有限公司
ZHEJIANG HAITONG COMMUNICATION ELECTRONICS CO.,LTD.

NO.	DESCRIPTION	DESIGN	DATE
A		Jimmy	20230704