

Model: W31

SPECIFICATION FOR APPROVAL

CUSTOMER: 706

CUST P/N:

FINE P/N: FYD706044

DESC: FYD7062024111403

DATE: Jan. 16, 2025

Version: A.0

CUSTOMER AUTHORIZED SIGNATURE		

PREPARED BY	CHECKED BY	APPROVED BY
Wei Bingfu	Ji Ak-jung	Hu Wei



Dongguan FANYA Electronics Co., LTD

ADD: No.194, East Technology Road, Liu Wu, Shijie Town, Dongguan City

TEL: 0769-22490287 / 22452492

FAX: 0769-22499451

E-mail: fineelec@163.com

Dongguan FANYA Electronics Co., LTD

TEL: 0769-22490287 FAX: 0769-22499451

FY-GZ001

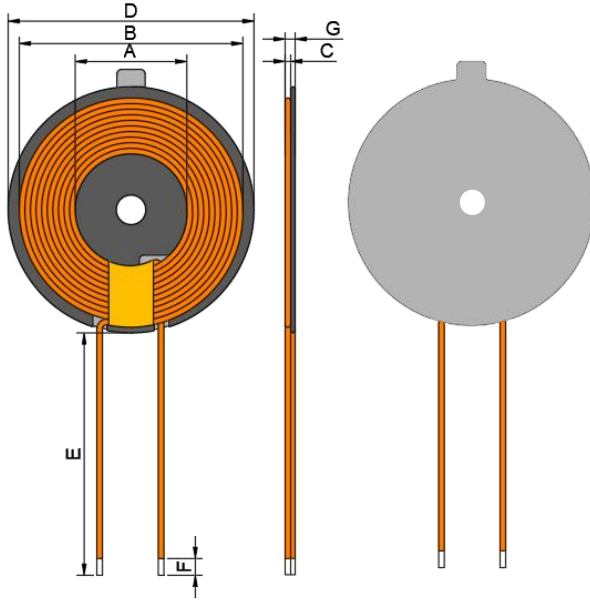
Version Change History

Rev.	Before Change	After Change	Change Date	Approved By
A.0	new issue	----	Jan. 16, 2025	Hu Wei

SPECIFICATION

DESC	FYD7062024111403	Rev: A.0	CUST:	706
			Fine P/N:	FYD706044
			CUST P/N:	

一、 DIMENSION:(mm)

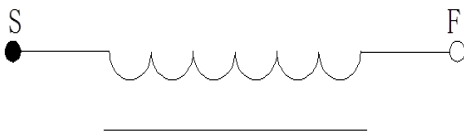


A	20.0±0.5
B	38.5±1
C	0.60±0.2
D	43.5±0.5
E	9±1
F	2-4
G	1.6-1.8

infuse:

1. The coils are crossed, and the cable is routed into the slot.
2. Apply 8mm wide high-temperature glue to the outlet position.
3. Coil back stick hard disk, disk size $\phi 43.5*5*1.0$ mm, open hole open double slot;
4. The back of the magnetic disc is affixed with $\phi 42*6* 0.08$ mm ordinary double-sided tape with hand tear;

二、 SCHEMATIC DIAGRAM:



三、 Winding Specification:

NO.	TERMINAL	WIRE	Turns	Winding Direction
1	S F	strand wire	10Ts	CCW

四、 ELECTRICAL CHARACTERISTICS:

TEMPERATURE:25±5°C, RELATIVE HUMIDITY:65±20%, Coil high temperature range-25-120°C;

NO.	ITEM	TERMINAL	SPECIFICATION	TEST FREQUENCY	TEST EQUIPMENTS
1	IND.	S-F	6.3uH±10%	100KHz/1.0V	LCZ METER 1062B
2	DCR	S-F	100 mΩ Max	25°C	TH2810
3	operating temperature	S-F	80°C Max		
4	Q value	S-F	35 min	100KHz/1.0V	LCZ METER 1062B

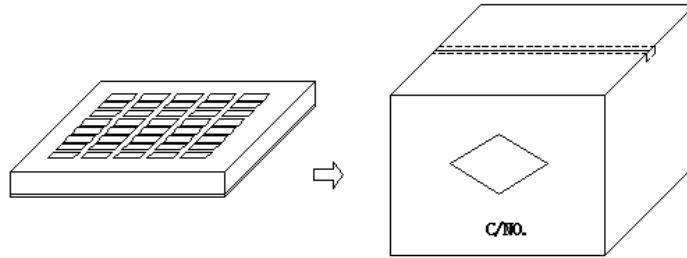
PREPARED BY/DATE	CHECKED BY/DATE
Wei Bingfu Jan. 16, 2025	Hu Wei Jan. 16, 2025

SPECIFICATION

DESC	FYD7062024111403	Rev: A.0	CUST:	706
			Fine P/N:	FYD706044
			CUST P/N:	

五、PACKING:

5.1 Packing pictures:



5.2 Packing Quantity:

Item	Quantity	Material
Box	200 Pcs	370*265*55mm
Big Carton	1000 Pcs	420*270*310mm

5.3 The packaging shall be based on the existing packing plate and the actual delivery package shall prevail. If there is any requirement, we can customize it.

六、Material list:

number	Material name	Description	Manufacturer
1	wire rod	strand wire	
2	Lead-free tin strip	Lead-free tin strip	
3	magnetic sheet	φ 43.5*5*1.0mm	
4	gum	φ 42*6* 0.08mm ordinary double-sided tape with hand tear	
5	high-temperature tape	8mm wide	
6	glue	glue	

PREPARED BY/DATE	CHECKED BY/DATE
Wei Bingfu Jan. 16, 2025	Hu Wei Jan. 16, 2025